



**VAAL UNIVERSITY
OF TECHNOLOGY**

ENGINEERING & TECHNOLOGY

Prospectus

First Published	2009	Second Edition	2010
Third Edition	2012	Fourth Edition	2013
Fifth Edition	2014	Sixth Edition	2015
Seventh Edition	2016	Eighth Edition	2018
Ninth Edition	2019	Tenth Edition	2020
Eleventh Edition	2021	Twelfth Edition	2022
Thirteenth Edition	2023	Fourteenth Edition	2024

Copies of the Faculty Prospectus are obtainable from:

The Registrar Office: B004

Tel: +27 (0)16 950 9930

Fax: +27 (0)16 950 9775

NB:

Although the information contained in this Faculty Prospectus has been compiled as accurately as possible, the Council and the Senate of the Vaal University of Technology accept no responsibility for any errors or omissions.



TABLE OF CONTENTS

1.	WELCOME BY THE EXECUTIVE DEAN	1
2.	FACULTY STRUCTURE AND QUALIFICATIONS.....	3
3.	PROFESSIONAL BODY, PROGRAMME ACCREDITATION AND PROFESSIONAL REGISTRATION.....	3
3.1	STATUTORY FUNCTIONS OF ECSA.....	4
3.2	HEQF ALIGNMENT AND PROFESSIONAL REGISTRATION WITH ECSA	5
4.	PURPOSE OF QUALIFICATIONS.....	7
4.1	DIPLOMA IN ENGINEERING	7
4.2	ADVANCED DIPLOMA IN ENGINEERING.....	9
4.3	POSTGRADUATE DIPLOMA.....	12
4.4	MASTER OF ENGINEERING.....	13
4.5	DOCTOR OF ENGINEERING / PHD IN ENGINEERING	15
5.	PHASING OUT OF NON-ALIGNED PROGRAMMES, CREDIT ACCUMULATION AND TRANSFER (CAT)	16
5.1	PHASED OUT PROGRAMMES	16
5.2	CREDIT ACCUMULATION AND TRANSFER (CAT) AND ARTICULATION	16
6.	ADMISSION REQUIREMENTS.....	17
6.1	GENERIC ADMISSION.....	17
6.2	VAAL UNIVERSITY OF TECHNOLOGY.....	18
6.3	QUALIFICATION OBTAINED FROM FURTHER EDUCATION AND TRAINING (FET) OR TECHNICAL AND VOCATIONAL EDUCATION AND TRAINING (TVET) COLLEGES....	22
7.	DEPARTMENT OF CHEMICAL ENGINEERING AND METALLURGICAL ENGINEERING.....	24
7.1	CHEMICAL ENGINEERING.....	24
7.2	METALLURGICAL ENGINEERING.....	30
7.3	ENQUIRIES	33
8.	DEPARTMENT OF CIVIL ENGINEERING.....	34
9.	DEPARTMENT OF ELECTRICAL ENGINEERING	47
9.1	ELECTRICAL ENGINEERING: COMPUTER SYSTEMS ENGINEERING	47
9.2	ELECTRICAL ENGINEERING: ELECTRONIC ENGINEERING.....	51
9.3	ELECTRICAL ENGINEERING: POWER ENGINEERING.....	55



9.4	ELECTRICAL ENGINEERING: PROCESS CONTROL ENGINEERING.....	58
9.5	ENQUIRIES	61
10.	DEPARTMENT OF INDUSTRIAL ENGINEERING & OPERATIONS MANAGEMENT AND MECHANICAL ENGINEERING	62
10.1	INDUSTRIAL ENGINEERING AND OPERATIONS MANAGEMENT.....	62
10.2	MECHANICAL ENGINEERING.....	72
10.3	ENQUIRIES	76
11.	CURRICULA (PROGRAMME STRUCTURE).....	78
11.1	DIPLOMA.....	78
	DI0400: DIPLOMA IN OPERATIONS MANAGEMENT	78
	DI0800: DIPLOMA IN CHEMICAL ENGINEERING	79
	DI0810: DIPLOMA IN CIVIL ENGINEERING	80
	DI0822: DIPLOMA IN ELECTRICAL ENGINEERING: COMPUTER SYSTEMS ENGINEERING.	81
	DI0823: DIPLOMA IN ELECTRICAL ENGINEERING: ELECTRONIC ENGINEERING	82
	DI0824: DIPLOMA IN ELECTRICAL ENGINEERING: POWER ENGINEERING	83
	DI0825: DIPLOMA IN ELECTRICAL ENGINEERING: PROCESS CONTROL ENGINEERING ...	84
	DI0830: DIPLOMA IN INDUSTRIAL ENGINEERING	85
	DI0840: DIPLOMA IN MECHANICAL ENGINEERING – BEING PHASED OUT	86
	DI0841: DIPLOMA IN MECHANICAL ENGINEERING	87
	DI0850: DIPLOMA IN METALLURGICAL ENGINEERING	88
11.2	EXTENDED 4-YEAR DIPLOMA.....	88
	DE0801: DIPLOMA IN CHEMICAL ENGINEERING	89
	DE0811: DIPLOMA IN CIVIL ENGINEERING	89
	DE0831: DIPLOMA IN INDUSTRIAL ENGINEERING	90
	DE0841: DIPLOMA IN MECHANICAL ENGINEERING	90
	DE0851: DIPLOMA IN METALLURGICAL ENGINEERING	91
	DE0862: DIPLOMA IN ELECTRICAL ENGINEERING: COMPUTER SYSTEMS ENGINEERING.	91
	DE0863: DIPLOMA IN ELECTRICAL ENGINEERING: ELECTRONIC ENGINEERING	92
	DE0864: DIPLOMA IN ELECTRICAL ENGINEERING: POWER ENGINEERING.....	92
	DE0865: DIPLOMA IN ELECTRICAL ENGINEERING: PROCESS CONTROL	93
11.3	ADVANCED DIPLOMA	93
	AD0400: ADVANCED DIPLOMA IN OPERATIONS MANAGEMENT.....	93
	AD0800: ADVANCED DIPLOMA IN CHEMICAL ENGINEERING	93
	AD0810: ADVANCED DIPLOMA IN CIVIL ENGINEERING.....	94
	AD0822: ADVANCED DIPLOMA IN ELECTRICAL ENGINEERING: COMPUTER SYSTEMS ENGINEERING	94
	AD0823: ADVANCED DIPLOMA IN ELECTRICAL ENGINEERING: ELECTRONIC ENGINEERING	94



AD0824: ADVANCED DIPLOMA IN ELECTRICAL ENGINEERING: POWER ENGINEERING ..	95
AD0825: ADVANCED DIPLOMA IN ELECTRICAL ENGINEERING: PROCESS CONTROL ENGINEERING	95
AD0830: ADVANCED DIPLOMA IN INDUSTRIAL ENGINEERING	95
AD0840: ADVANCED DIPLOMA IN MECHANICAL ENGINEERING	95
AD0850: ADVANCED DIPLOMA IN METALLURGICAL ENGINEERING	96
11.4 POSTGRADUATE DIPLOMA	96
PG0400: POSTGRADUATE DIPLOMA IN OPERATIONS MANAGEMENT	96
PG0800: POSTGRADUATE DIPLOMA IN CHEMICAL ENGINEERING	96
PG0810: POSTGRADUATE DIPLOMA IN CIVIL ENGINEERING	97
PG0830: POSTGRADUATE DIPLOMA IN INDUSTRIAL ENGINEERING	97
PG0840: POSTGRADUATE DIPLOMA IN MECHANICAL ENGINEERING	97
PG0850: POSTGRADUATE DIPLOMA IN METALLURGICAL ENGINEERING	98
11.5 MASTER DEGREE	98
MP0823: M ENG: ENERGY EFFICIENCY	98
12. SYLLABI	99
12.1 DIPLOMA MODULES: ALPHABETICAL LIST	99
12.2 EXTENDED 4-YEAR DIPLOMA MODULES: ALPHABETICAL LIST	133
12.3 ADVANCED DIPLOMA: ALPHABETICAL LIST	134
12.4 POSTGRADUATE DIPLOMA MODULES: ALPHABETICAL LIST	151
12.5 M ENG MODULES (MP0823)	160



1. WELCOME BY THE EXECUTIVE DEAN

As the Dean of the Faculty of Engineering and Technology (FET), I welcome all new students to Vaal University of Technology (VUT). The VUT is the only University of Technology in the region of southern Gauteng in South Africa and the FET is at the forefront of training eligible South Africans towards becoming successful professional engineering technicians and professional engineering technologists as well as entrepreneurs. The faculty comprises of four (4) departments, namely:

- Department of Chemical and Metallurgical Engineering
- Department of Civil Engineering
- Department of Electrical Engineering: consists of Power Engineering, Electronic Engineering and Process Control and Computer Systems Engineering.
- Department of Industrial Engineering and Operations Management and Mechanical Engineering

These departments have strong foundations in knowledge, driven for career practices. The programmes in the faculties are accredited by the Engineering Council of South Africa (ECSA), and our graduates are internationally recognised through their qualifications when registered with ECSA.

The focus of the faculty is to meet the strategic goals and the objectives of the VUT emanating from its vision and mission. There is a clear mandate to provide quality teaching and learning; increase research productivity; promote innovation, commercialisation and community engagement; and improve financial sustainability. The pursuit of cutting-edge technology to address the challenging needs in our environment and within the community continues to be the objective of the FET.

As you participate in the teaching and learning activities, be diligent and use the resources provided to develop your skills. This will enhance the personal capacity required for a good practising engineer. The current crisis created by Covid-19 has pushed the FET to adapt and change from the face-to-face contact teaching and learning to the 'new normal' of blended learning – online teaching and learning that is shared with contact practices. The VUT online teaching and learning platform, VUTela, will be used for teaching and learning interaction with your lecturer, and you will be informed of other platforms if necessary. Therefore, you are encouraged to learn how to use VUTela as quickly as possible because it will improve your delivery and performance in all correspondence with lecturers.

It is important to consider the essential personal values that will carry you throughout the course of your studies and contribute to your success. These include academic discipline; commitment to your studies; respect for others; attention to class attendance; attention to acceptable ethical behaviour; and willingness to complete tasks given by lecturers in order to meet deadlines. Your personal



attributes and hardworking behaviour will create a lifelong character trait that will elevate you and keep you at the top of leadership in your academic -, social - and workplace environment.

Programmes offered in each department are detailed in this Prospectus. In addition, it contains the staff composition and the structure of the curricula.

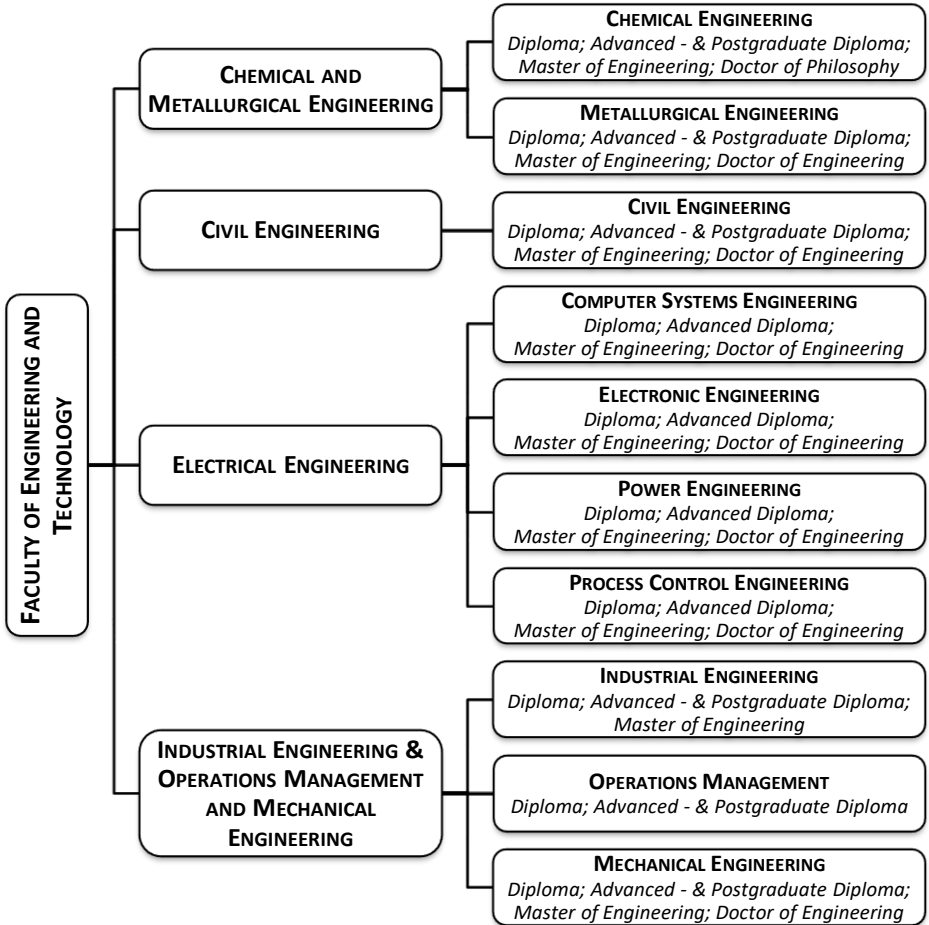
Once again, I welcome you to the Vaal University of Technology! Enjoy it!!!

Prof K Abou-El-Hossein

EXECUTIVE DEAN



2. FACULTY STRUCTURE AND QUALIFICATIONS



3. PROFESSIONAL BODY, PROGRAMME ACCREDITATION AND PROFESSIONAL REGISTRATION

The Engineering Council of South Africa (ECSA) audits all the engineering programmes offered at the Vaal University of Technology every four years. ECSA awards an accreditation status to each programme that meets the standard for the award of the qualification. The standards are designed to meet the educational requirement for registration as a Candidate or Professional Engineering Technician with ECSA and acceptance as a candidate to write the examinations for Certificated Engineers (for Diploma in Engineering Programmes) and the educational base



required for registration as a Professional Engineering Technologist and/or Certificated Engineer with ECSA (for the Advanced Diploma in Engineering Programmes).

ECSA is a statutory body established in the Engineering Profession Act, 2000 (Act No. 46 of 2000). ECSA's predecessor was established by the Engineering Profession of South Africa Act, 1990 (Act No. 114 of 1990). ECSA sees itself in partnership with the State and the engineering profession to promote a high level of education and training of engineering professionals to facilitate full recognition of professionalism in the engineering profession, both locally and abroad. It enjoys full autonomy, although it is accountable to the State, the profession and the public for the fair and transparent administration of its business to pursue its goals.

However, in pursuing its goal, ECSA has an implied responsibility to ensure that the profession's interests (the practitioners) are also promoted. The interest of the public and the country can only be served properly if a profession is healthy and strong. For this reason, ECSA promotes the well-being of the voluntary societies which are active in engineering. Since the societies are the instruments through which the interests of the practitioners are served, a good balance between "public interests" (ECSA) and "own interests" (Societies) should be maintained.

3.1 STATUTORY FUNCTIONS OF ECSA

To achieve the Act's main focus, ECSA is empowered to perform a variety of functions, such as:

- Setting and auditing of academic standards for purposes of registration through a process of accreditation of engineering programmes at universities and universities of technology;
- Setting and auditing of professional development standards through the provision of guidelines which set out ECSA's post-qualification requirements for registration in the four professional categories of registration, namely Professional Engineer, Professional Engineering Technologist, Professional Certificated Engineer and Professional Engineering Technician, as well as for Specified Categories, such as Registered Lift Inspectors;
- Prescribing requirements for Continuing Professional Development and determining the period within which registered persons must apply for renewal of their registrations;
- Prescribing a Code of Conduct and Codes of Practice and enforcing such conduct through an Investigating Committee and a Disciplinary Tribunal;
- Identification of work of an engineering nature that should be reserved for registered persons by the Council for the Built Environment (CBE) after consultation with the Competition Board;



- Advising the Council for the Built Environment (CBE) and Minister of Public Works on matters relating to the engineering profession and cognate matters;
- Recognition of professional associations, such as engineering associations, institutes/organisations and societies;
- Publication of a guideline tariff of fees for consulting work, in consultation with government, the profession and industry; and
- Doing such other things may be necessary for properly performing its functions in terms of the Act.

3.2 HEQF ALIGNMENT AND PROFESSIONAL REGISTRATION WITH ECSA

The Faculty of Engineering and Technology of Vaal University of Technology (VUT), Vanderbijlpark Campus are offering Higher Education Qualification Sub Framework (HEQSF) aligned qualifications, i.e., Diploma in Engineering and Advanced Diploma in Engineering. These programmes are a replacement for the old NATED 151 qualifications: National Diploma: Engineering and Baccalaureus Technologiae: Engineering that is not aligned to the HEQSF.

3.2.1 WHY THE NEED TO BE HEQSF ALIGNED?

ECSA pegs the accreditation of the current and upcoming Engineering Programmes on the HEQSF educational requirements, as shown in Figure 1. In terms of a graduate's need to register professionally, their education must also be aligned to the HEQSF requirements and ECSAs requirements. Figure 2 depicts a Professional Registration Pathway as a Technologist, the route that is to be followed by a graduate from this programme. Figure 3 illustrates the ECSA – HEQSF articulation route.

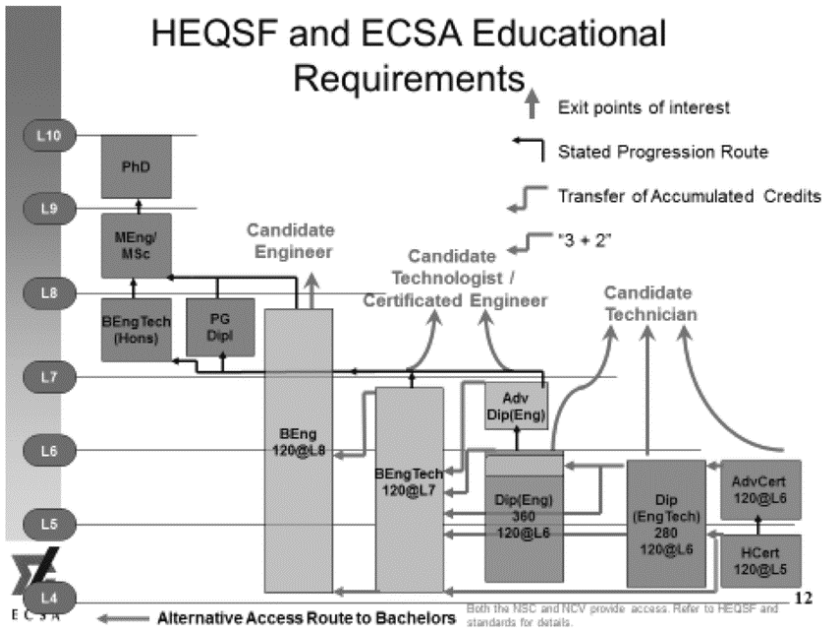


Figure 1: The HEQSF and ECSA educational requirements and progression (after ECSA) (2015)

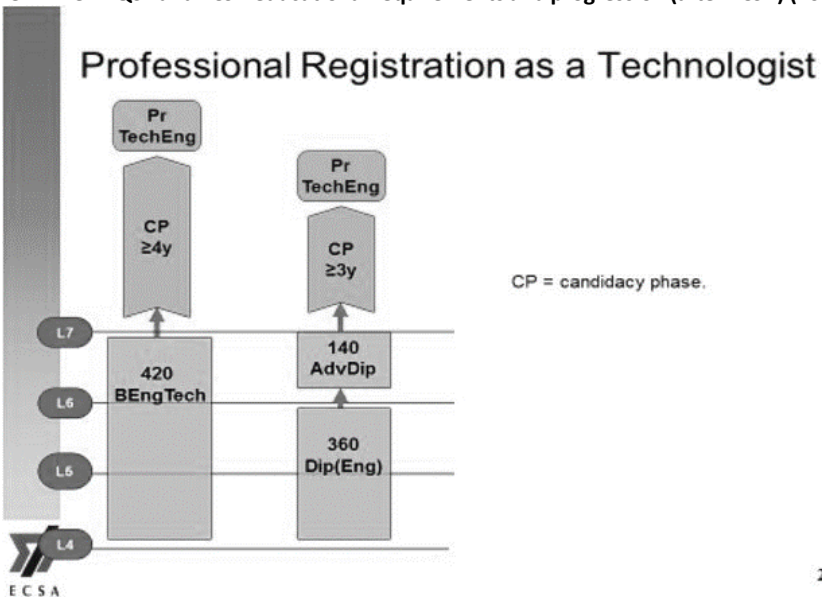


Figure 2: Professional Technologist registration (after ECSA) (2015)

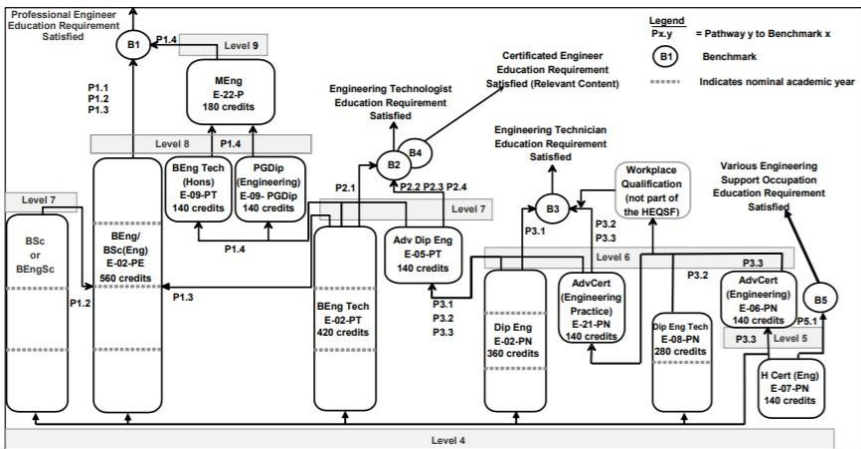


Figure 3: Graphical view of Engineering qualifications in HEQF (ECSA Doc Nr E-23-P)

The Candidacy Phase (CP) is a post-qualification practical experience period required for one to transcend from a candidate to full Professional status of registration in the respective category. More information and application forms can be obtained from the Faculty of Engineering & Technology or directly from:

Engineering Council of South Africa (ECSA)

Private Bag X691

BRUMA, 2026

Tel : +27 (0) 11 607 9500

Fax : +27 (0) 11 622 9295

Website : www.ecsa.co.za

4. PURPOSE OF QUALIFICATIONS

4.1 DIPLOMA IN ENGINEERING

The primary purpose of this vocationally oriented diploma is to develop focused knowledge and skills as well as experience in a work-related context. The Diploma equips graduates with the knowledge base, theory, skills and methodology of one or more engineering disciplines as a foundation for further training and experience towards becoming a competent engineering technician.

Specifically, the qualification provides:

- A thorough grounding in mathematics and natural sciences specific to the field, engineering sciences, engineering design and the ability to apply established methods. Engineering knowledge is complemented by methods for understanding the impacts of engineering solutions on people and the environment;



- Preparation for a career in engineering itself and areas that potentially benefit from engineering skills, for achieving technical proficiency and contribute to the economy and national development;
- The educational requirement for registration as a Candidate or Professional Engineering Technician with the Engineering Council of South Africa and acceptance as a candidate to write the examinations for Certificated Engineers; and
- For graduates with an appropriate level of achievement, the ability to enter the upcoming Advanced Diploma in Engineering programme.

The candidate engineering technician (the graduate) completing this qualification will be able to demonstrate competence in the following twelve graduate attributes (GA's) as stipulated in the ECSA Qualification Standard for Diploma in Engineering: NQF Level 6 (ECSA Document E-02-PN Revision 5).

GA 1: Problem-solving

Identify, formulate, analyse and solve well-defined engineering problems

GA 2: Application of scientific and engineering knowledge

Apply knowledge of mathematics, natural sciences, engineering fundamentals and an engineering speciality to solve well-defined engineering problems.

GA 3: Engineering design

Perform procedural design and synthesis of components, systems, engineering works, products or processes.

GA 4: Investigations, experiments and data analysis

Demonstrate competence to design and conduct investigations and experiments.

GA 5: Engineering methods, skills and tools, including information technology

Demonstrate competence to use appropriate engineering methods, skills and tools, including those based on information technology.

GA 6: Professional and technical communication

Demonstrate competence to communicate effectively, both orally and in writing, with engineering audiences and the community at large.

GA 7: Sustainability and impact of engineering activity

Demonstrate critical awareness of the sustainability and impact of engineering activity on the social, industrial and physical environment.

GA 8: Individual, team and multidisciplinary working

Demonstrate competence to work effectively as an individual, in teams and in multidisciplinary environments.

GA 9: Independent learning ability

Demonstrate competence to engage in independent learning through well-developed learning skills.



GA 10: Engineering professionalism

Demonstrate critical awareness of the need to act professionally and ethically and to exercise judgment and take responsibility within own limits of competence.

GA 11: Engineering management

Demonstrate knowledge and understanding of engineering management principles and economic decision-making.

GA 12: Workplace practices

Demonstrate an understanding of workplace practices to solve engineering problems consistent with academic learning achieved.

4.1.1 PROGRESSION AND PATHWAY

- As shown in Figures 1 & 2, completing this 360-credit Diploma meets the minimum entry requirement for admission to an Advanced Diploma designed to support articulation and satisfy an engineering technologist education benchmark. This Diploma provides the base for the graduate to enter training and experience toward independent practise as an engineering technician and registration as a Professional Engineering Technician.
- This qualification lies in a HEQSF Vocational Pathway.

4.2 ADVANCED DIPLOMA IN ENGINEERING

This qualification is primarily industry oriented, and the knowledge emphasises general principles and application or technology transfer. The qualification provides students with a sound knowledge base in a particular field or discipline and the ability to apply their knowledge and skills to particular career or professional contexts while equipping them to undertake more specialised and intensive learning. Programmes leading to this qualification tend to have a strong professional or career focus, and holders of this qualification are normally prepared to enter a specific niche in the labour market.

Specifically, educational programmes designed to meet this qualification aim to build the necessary knowledge, understanding, abilities and skills required for further learning towards becoming a competent practising engineering technologist or certified engineer.

This qualification provides:

- Preparation for careers in engineering itself and areas that potentially benefit from engineering skills, for achieving technological proficiency and contribute to the economy and national development;
- The educational base required for registration as a Professional Engineering Technologist and/or Certificated Engineer with ECSA;
- Entry to NQF level 8 programmes, e.g. Honours, Post Graduate Diploma and B



Eng programmes and then proceed to master's programmes;

- For certificated engineers, this provides the education base for achieving proficiency in mining/factory plant and marine operations and occupational health and safety.

Engineering students completing this qualification will demonstrate competence in all 11 Graduate Attributes (GA's) contained in the Qualification Standard for Advanced Diploma in Engineering: NQF Level 7 (ECSA Document E-05-PT Revision 5).

GA 1: Problem-solving

Identify, formulate, analyse and solve **broadly-defined** engineering problems

GA 2: Application of scientific and engineering knowledge

Apply knowledge of mathematics, natural sciences, engineering fundamentals and an engineering speciality to solve **broadly-defined** engineering problems.

GA 3: Engineering design

Perform creative, procedural and non-procedural design and synthesis of components, systems, engineering works, products or processes.

GA 4: Investigations, experiments and data analysis

Demonstrate competence to design and conduct investigations and experiments.

GA 5: Engineering methods, skills and tools, including information technology

Demonstrate competence to use appropriate engineering methods, skills and tools, including those based on information technology.

GA 6: Professional and technical communication

Demonstrate competence to communicate effectively, both orally and in writing, with engineering audiences and the community at large.

GA 7: Sustainability and impact of engineering activity

Demonstrate critical awareness of the sustainability and impact of engineering activity on the social, industrial and physical environment.

GA 8: Individual, team and multidisciplinary working

Demonstrate competence to work effectively as an individual, in teams and in multidisciplinary environments.

GA 9: Independent learning ability

Demonstrate competence to engage in independent learning through well-developed learning skills.

GA 10: Engineering professionalism

Demonstrate critical awareness of the need to act professionally and ethically and to exercise judgment and take responsibility within own limits of competence.

GA 11: Engineering management

Demonstrate knowledge and understanding of engineering management



principles and economic decision-making.

4.2.1 DIFFERENTIATION OF PROFESSIONAL ENGINEERING TECHNOLOGIST AND PROFESSIONAL CERTIFICATED ENGINEER

4.2.1.1 Professional Engineering Technologists

- Are characterised by the ability to apply established and newly developed engineering technology to solve **broadly defined** problems, develop components, systems, services and processes;
- Provide leadership in the application of technology in safety, health, engineering and commercially effective operations and have **well-developed** interpersonal skills;
- Work independently and responsibly, applying judgement to decisions arising in the application of technology and health and safety considerations to problems and associated risks;
- Have a specialized understanding of engineering sciences underlying a deep knowledge of specific technologies together with financial, commercial, legal, social and economic, health, safety and environmental matters.

4.2.1.2 Professional Certificated Engineers

- Are characterised by the ability to apply established and newly developed engineering technology to solve **broadly defined** problems and develop components, systems, services and processes in specific areas where a legal appointment is required in terms of either the Occupational Health and Safety Act, the Mines Health and Safety Act, or the Merchant Shipping Act, e.g. factories, mines and marine environments;
- Provide leadership in safety, health, engineering and commercially effective operations and have **well-developed** managerial skills;
- Work independently and responsibly, applying judgement to decisions arising in the application of technology and health and safety considerations to problems and associated risks;
- Have a specialised understanding of engineering sciences underlying manufacturing, marine, mining, plant and operations, together with financial, commercial, legal, socio-economic, health, safety and environmental methodologies, procedures and best practices.

4.2.2 PROGRESSION AND PATHWAY

- As shown in Figures 1 & 2, completion of this 140-credit Advanced Diploma is the minimum entry requirement for admission to a Bachelor Honours Degree or Postgraduate Diploma. Entry into these qualifications is usually in the area of specialisation or in the discipline taken as a major in the Advanced Diploma, after completion of the Diploma in Engineering or equivalent. In addition, the



graduate attributes are such that a graduate may also meet requirements for entry to a number of programmes, including:

- A candidacy programme toward registration as a Professional Engineering Technologist;
- In certain disciplines, progression toward the Government Certificate of Competency;
- With appropriate work experience, a Master of Business Administration or similar programme.
- This qualification lies on a HEQSF Professional Pathway

4.3 POSTGRADUATE DIPLOMA

A postgraduate diploma is a postgraduate qualification characterised by the fact that it serves to strengthen and deepen the student's knowledge in a particular discipline or profession. This qualification typically follows a bachelor's degree, advanced diploma or relevant level 7 qualification and serves to consolidate and deepens the student's expertise in a particular discipline, develop competence to solve complex problems, and lays the foundation for research capacity in the methodology and techniques of that discipline.

This qualification demands an elevated level of theoretical engagement and intellectual independence, as well as the ability to relate knowledge to a range of contexts to undertake professional or highly skilled work.

This qualification provides:

- Preparation for careers in engineering itself and areas that potentially benefit from engineering skills, for achieving technological proficiency and to make a contribution to the economy and national development;
 - Entry to a cognate NQF level 9 Master's Degree, e.g. MSc/MEng; and
 - Access to register as a professional engineer through a relevant master's degree
- Engineering students completing this qualification will demonstrate competence in all 11 twelve Graduate Attributes (GAs) contained in the Qualification Standard for Postgraduate Diploma in Engineering: NQF Level 8 (ECSA Document E-09-PGDip Revision 2).

Note: General Range Statement: The competencies defined in the eleven graduate attributes may be demonstrated in a university-based, simulated workplace context. Competencies stated generically may be assessed in various engineering disciplinary or cross-disciplinary context.



GA 1: Problem-solving

Identify, formulate, analyse and solve **complex** engineering problems.

GA 2: Application of scientific and engineering knowledge

Apply knowledge of mathematics, natural sciences, engineering fundamentals and an engineering speciality to solve **complex** engineering problems.

GA 3: Engineering design

Perform creative, procedural and non-procedural design and synthesis of components, systems, engineering works, products or processes.

GA 4: Investigations, experiments and data analysis

Demonstrate competence to design and conduct investigations and experiments.

GA 5: Engineering methods, skills and tools, including information technology

Demonstrate competence to use appropriate engineering methods, skills and tools, including those based on information technology.

GA 6: Professional and technical communication

Demonstrate competence to communicate effectively, both orally and in writing, with engineering audiences and the community at large.

GA 7: Sustainability and impact of engineering activity

Demonstrate critical awareness of the sustainability and impact of engineering activity on the social, industrial and physical environment.

GA 8: Individual, team and multidisciplinary working

Demonstrate competence to work effectively as an individual, in teams and in multidisciplinary environments.

GA 9: Independent learning ability

Demonstrate competence to engage in independent learning through well-developed learning skills.

GA 10: Engineering professionalism

Demonstrate critical awareness of the need to act professionally and ethically and to exercise judgment and take responsibility within own limits of competence.

GA 11: Engineering management

Demonstrate knowledge and understanding of engineering management principles and economic decision-making.

4.4 MASTER OF ENGINEERING

The purpose of the qualification Master of Engineering is to develop a researcher with advanced abilities in applying fundamental technological and engineering design, synthesis and related principles to solve problems of society at large. One of the main objectives of this process is to develop an advanced capability to do research independently. It also promotes a lifelong learning approach.



The qualified student will be able to:

- Identify, assess, formulate, interpret, analyse and solve engineering research and development problems creatively and innovatively by applying relevant knowledge of, i.e., Mathematics, Basic Science and Engineering Sciences in the chosen field of research;
- Plan and manage engineering research projects, demonstrating fundamental knowledge, understanding and insight into the principles, methodologies and concepts that constitute socially responsible (to local and other communities) engineering research/development in the chosen field of research practice;
- Work effectively, individually or with others, as a member of a team, group, organisation and the community or in multi-disciplinary environments in the chosen field of research;
- Organise and manage themselves and their activities responsibly, effectively, professionally and ethically, accept responsibility within their limits of competence, and exercise judgment based on knowledge and expertise pertaining to the field of research;
- Plan and conduct applicable levels of investigation, research and/or experiments by applying appropriate theories and methodologies and performing data analysis and interpretation;
- Communicate effectively, both orally and in writing, with engineering and specifically research audiences and the community at large, in so far as they are affected by the research, using appropriate structure, style and graphical support;
- Use and assess appropriate research methods, skills, tools and information technology effectively and critically in engineering research/development practice, and show an understanding and a willingness to accept responsibility for the impact of engineering research/development activities on society and the environment;
- Perform procedural and non-procedural design and synthesis of components, systems, works, products or processes as a set of related systems, and assess their social, legal, health, safety and environmental impact and benefits, where applicable, in the chosen field of research;
- Employ various learning strategies and skills to master outcomes required for preparing themselves to engage in continuous learning, to keep abreast of knowledge and skills required in the engineering field;
- Participate as a responsible citizen in the life of local, national and global communities by acting professionally and ethically in the chosen field of research;
- Demonstrate, where applicable, cultural and aesthetic sensitivity across a range of social contexts in the execution of engineering research and development



activities;

- Explore, where applicable, education and career opportunities through engineering problem-solving, design, technical research and managerial skills;
- Organise and develop entrepreneurial opportunities through engineering, technical research development and managerial skills.

4.5 DOCTOR OF ENGINEERING / PHD IN ENGINEERING

The purpose of the Doctor of Engineering/PhD in Engineering is to develop a researcher with advanced abilities in applying fundamental engineering and technological sciences, design, synthesis and related principles independently to specific problems of society at large. One of the main objectives of this process is to develop an advanced capability to conduct fundamental engineering research of an original nature. It also promotes a lifelong learning approach and an aptitude for training other students in similar fields.

The qualified student will be able to:

- Identify, assess, formulate, interpret, analyse and solve original engineering research/development problems creatively and innovatively by applying relevant advanced fundamental knowledge of i.e. Mathematics, Basic Science and Engineering Sciences in the chosen field of research;
- Plan and manage advanced engineering research projects, demonstrating fundamental knowledge, understanding and insight into the principles, methodologies and concepts that constitute socially responsible (to local and other communities) engineering research/development in the chosen field of research practice;
- Work effectively, individually or with others, as a member of a team, group, organisation and the community or in multi-disciplinary environments in the chosen field of research;
- Organise and manage themselves responsibly, effectively, professionally and ethically, accept responsibility within their limits of competence, and exercise original judgment based on knowledge and expertise pertaining to the field of research;
- Plan and conduct advanced investigations, research and experiments of an original nature by applying or developing appropriate theories and methodologies and performing data analysis and interpretation;
- Communicate effectively, both orally and in writing, with specific research audiences and the community at large, in so far as they are affected by the research, using appropriate structure, style and graphical support;
- Use and assess appropriate advanced engineering research methods, skills, tools and information technology effectively and critically in research/development



practice, and show an understanding and a willingness to accept responsibility for the impact of engineering research/development activities on society and the environment;

- Perform procedural and non-procedural design and synthesis of components, systems, works, products or processes as a set of related systems and assess their social, legal, health, safety and environmental impact and benefits, where applicable, in the chosen field of research;
- Employ various learning strategies and skills to master outcomes required for preparing themselves to engage in continuous learning, to keep abreast of knowledge and skills required in the engineering research/development field;
- Participate as a responsible citizen in the life of local, national and global communities by acting professionally and ethically in the chosen field of research;
- Demonstrate, where applicable, cultural and aesthetic sensitivity across a range of social contexts in the execution of engineering research/development activities;
- Explore, where applicable, education and career opportunities in advanced engineering research/development;
- Organise and develop, where applicable, entrepreneurial opportunities through engineering, technical research, development and managerial skills.

5. PHASING OUT OF NON-ALIGNED PROGRAMMES, CREDIT ACCUMULATION AND TRANSFER (CAT)

5.1 PHASED OUT PROGRAMMES

Non-aligned programmes	Last year of registration of new intake	Comments
National Diploma (ND)	2016	Replaced by Diploma in terms of the HEQSF*
Baccalaureus Technologiae (BTech)	2019 Students are allowed until 2024 to complete outstanding modules for the qualification	Replaced by the Advanced Diploma in terms of the HEQSF*
Magister Technologiae (MTech)	2022	Replaced by the relevant new master's qualification in terms of the HEQSF*

**A comprehensive system approved by the Minister of Higher Education and Training for the classification, registration, publication and articulation of quality-assured national qualifications*

5.2 CREDIT ACCUMULATION AND TRANSFER (CAT) AND ARTICULATION



Description of programme	Comments
<p>Non-aligned National Diplomas (ND) Credit Accumulation and Transfer (CAT)</p>	<p>Students in possession of credits for an incomplete non-aligned diploma may be granted credits towards the relevant new diploma (<i>CHE Policy on CAT 5.2.6</i>). Students may be granted credits for modules (not more than 50%) (<i>CHE Policy on CAT 5.2.5</i>). Credits obtained from another institution can be transferred to a cognate VUT qualification (<i>VUT CAT Policy</i>). The granting of credits is undertaken by the relevant Head of Department (HoD), together with the module coordinator and a subject specialist. Factors such as the nature of the qualification, the relationship between them, the nature, complexity, and extent of the curricula associated with the specific module to be recognised and the nature of the assessment used will be taken into consideration in the granting of credits (<i>CHE Policy on CAT 5.2.5</i>).</p>
<p>BTech articulation</p>	<p>Students in possession of a BTech qualification or an appropriate NQF level 8 qualification may be allowed to articulate into the new relevant master's qualification. The articulation is permitted within the constraining parameters set by the requirements of a specific curriculum (<i>CHE CAT Policy 5.15</i>). In addition, students must have a credit-bearing research component in the BTech or relevant NQF level 8 qualification (<i>Senate approval 9 November 2018</i>). Students who possess a BTech or relevant NQF level 8 qualification BUT do not meet the entry requirements into a master's qualification may be allowed to enrol for the relevant post-graduate diploma.</p>

6. ADMISSION REQUIREMENTS

6.1 GENERIC ADMISSION

Minimum statutory requirements for tertiary education as stated by CHE 2013: The minimum admission requirements for entry to new programmes are as set out in Gazette notice number 32131 of May 2008 for candidates with a National Senior Certificate, and Government notice number 32743 of November 2009 for candidates with a National Certificate (Vocational).

NSC: A NSC endorsed with admission to tertiary education and:

- One Home Language
- One Home or First Additional Language
- Mathematics or Mathematical Literacy



Life Orientation

3 x Other subjects

And achieved 40% in three subjects, one of which is an official language at Home Language level.

6.1.1 DIPLOMA

As stated by CHE 2013: The minimum entry requirement is the National Senior Certificate with appropriate subject combinations and levels of achievement, as defined in the Minister's policy. Minimum Admission Requirements for Higher Certificate, Diploma and Bachelor's Degree Programmes Requiring a National Senior Certificate, Government Gazette, Vol 751, No 32131 of 11 July 2008, and Minimum Admission Requirements for Higher Certificate, Diploma and Bachelor's Degree Programmes requiring a National Certificate (Vocational), published in the Government Gazette, Vol. 533, No.32743, November 2009. Alternatively a Higher Certificate or Advanced Certificate in a cognate field will satisfy the minimum requirement.

To qualify for admission to Diploma Studies at a University, you need to pass the National Senior Certificate, with an achievement rating of 3 (moderate achievement, 40%-49%) or better in four recognised NSC 20-credit subjects, and a minimum 30% in the language of learning and teaching of the Higher Education institution concerned.

6.1.2 BACHELORS

As stated by CHE 2013: The minimum entry requirement is the National Senior Certificate with appropriate subject combinations and levels of achievement, as defined in the Minister's policy. Minimum Admission Requirements for Higher Certificate, Diploma and Bachelor's Degree Programmes Requiring a National Senior Certificate, Government Gazette, Vol 751, No 32131 of 11 July 2008, and Minimum Admission Requirements for Higher Certificate, Diploma and Bachelor's Degree Programmes requiring a National Certificate (Vocational), published in the Government Gazette, Vol. 533, No.32743, November 2009. Alternatively a Higher Certificate or Advanced Certificate in a cognate field will satisfy the minimum requirement.

To qualify for admission to Bachelor's Degree studies at a University, you need to pass the NSC with an achievement rating of 4 (adequate achievement, 50%-59%) or better in four subjects chosen from the designated subject list determined by Higher Education. with a minimum of 30% in the language of learning and teaching of the Higher Education institution concerned.

6.2 VAAL UNIVERSITY OF TECHNOLOGY



Faculty Prospectus 2024

Admission is based on the above minimum criteria, with qualification specific additional requirements based on an admission point score (APS). The university calculates the APS as indicated in Table 1.

Table 1: Admission Points Calculation

NSC Percentages	NSC Achievement Score/Rating	SC HG	SC SG	VUT Score	Bonus Points	
					Mathematics	Physical/Natural Science and English
90% to 100%	7	A	A	8	3	2
80% - 89%				7		
70% - 79%	6	B		6	2	1
60% - 69%	5	C	B	5	1	0
50% - 59%	4	D	C	4	0	
40% - 49%	3	E	D	3		
30% - 39%	2	F	E	2		
0% - 29%	1	G	F	0		

Please note:

Life Orientation is excluded from all points' calculations and bonus points.

6.2.1 FACULTY OF ENGINEERING AND TECHNOLOGY: MINIMUM ENTRY REQUIREMENTS

The admission point score (APS) for the Faculty of Engineering and Technology admission requirement is shown in the following tables for different types of qualifications.



Table 2: Diploma programmes in Engineering (Mainstream Programmes)

Qualification	Compulsory Subjects	Minimum for the regular Diploma programme
Diploma: Chemical Engineering Civil Engineering Electrical Engineering: <ul style="list-style-type: none"> ▪ Electronic ▪ Power ▪ Process Control & Computer Systems Industrial Engineering Mechanical Engineering Metallurgical Engineering	Mathematics	4
	Physical Sciences	4
	English Language	4
	Total (Excluding Life Orientation)	24*

Table 3: Diploma programme in Operations Management

Qualification	Compulsory Subjects	Minimum
Diploma: Operations Management	Mathematics	4
	Physical Sciences	3
	English Language	4
	Total (Excluding Life Orientation)	23



Table 4: Diploma programmes in Engineering (Extended Programmes)

Qualification	Compulsory Subjects	Minimum for the extended Diploma programme
Diploma: Chemical Engineering Civil Engineering Electrical Engineering: ▪ Electronic ▪ Power ▪ Process Control & Computer Systems Industrial Engineering Mechanical Engineering Metallurgical Engineering	Mathematics	3
	Physical Sciences	3
	English Language	3
	Total (Excluding Life Orientation)	22**

For admission the following should be noted:

- The prospective student’s results must meet the statutory and programme admission requirement.
- Bonus points will only be used for selection purposes. In case of a tie and all other scores remaining the same use the actual percentages to differentiate.
- *Admission requirements for any of the 3-year Diploma programmes in Engineering is a National Senior Certificate with a **minimum of 24 APS points with minimum of 4 for Mathematics, Physical Science and English** (see Table 2), except for prospective students seeking admission into Operation Management which requires APS 23 with the minimum of 4 for Mathematics and English, and 3 for Physical Sciences (see Table 3).
- **Admission requirements for any of the 4-year extended Diploma programmes in Engineering is a National Senior Certificate with a **minimum of 22 APS points with minimum of 3 (≥40%) for Mathematics, 3 (≥40%) Physical Science and 3 (≥40%) for English** (see Table 4). *Students that need more information regarding Extended programmes should liaise with their respective HoD and/or the faculty manager. The main purpose of extended programme is to widen access and reinforce/improve success.*
- All other grade 12 or equivalent certificates will be evaluated against/according to statutory and programme requirements.
- International qualifications: All international qualifications will be evaluated by the International Office based on the Swedish scale and SAQA equivalence.



- Transfers: Applications from students to transfer from other institutions will be dealt with in terms of the Recognition of Prior Learning and CAT policies of VUT.

6.2.2 ADVANCED DIPLOMA PROGRAMMES: ALL ENGINEERING DISCIPLINES

A student with a relevant qualification on NQF level 6 (min 360 credits), typically a Diploma or an equivalent NQF level 6 qualification (min 360 credits), can enter the Advanced Diploma in Engineering.

6.2.3 POSTGRADUATE DIPLOMA PROGRAMMES: ALL ENGINEERING DISCIPLINES

A student with a relevant qualification on NQF level 7 (min 120 credits), typically a Bachelor's degree, Advanced Diploma or relevant NQF level 7 qualification, can enter the PGD in Engineering.

6.3 QUALIFICATION OBTAINED FROM FURTHER EDUCATION AND TRAINING (FET) OR TECHNICAL AND VOCATIONAL EDUCATION AND TRAINING (TVET) COLLEGES

6.3.1 MINIMUM STATUTORY ADMISSION REQUIREMENTS - NC(V) LEVEL 4 QUALIFICATION

Prospective candidates must meet the minimum statutory requirements for students in possession of an NC(V) 4 qualification, as laid out in the prescripts of the Government Gazette no. 32743 of 26 November 2006, to be eligible for admission to a diploma (Mainstream/extended) i.e., 50% in three fundamental subjects, one of which must be English; and 50% in three compulsory vocational modules (see Table 5 below).

Candidates must note that, according to Section 37 (i) of the Higher Education Act (Act 101 of 1997), the decision to admit a student to higher education study is the right and responsibility of the higher education institution concerned. This implies that individual institutions may set additional admission requirements for specific programmes.

6.3.2 ADMISSION REQUIREMENTS FOR STUDENTS WITH N3, N4, N5 AND N6 QUALIFICATIONS

The following admission requirements apply:

A candidate with a FET N3, N4, N5 or N6 certificate may qualify for admission to the first year of a diploma/extended diploma qualifications in the Faculty of Engineering and Technology, VUT.

- Based on his or her seven best subjects for N4/N5 or N5/N6 with a minimum of 50%.
- However, a candidate must meet the minimum admission requirements, including the language requirement (50%), on VUT scoring scale (see Table 6 below).



Faculty Prospectus 2024

- A candidate with an N3, N4, N5 or N6 certificate does not qualify for any subject recognition.
- Subject recognition may be granted to FET students who have successfully completed their FET N6 diplomas. Such subject recognition will only be considered for first year VUT diploma subjects and will only be based on FET N6 level diploma subjects completed successfully. These subjects must be passed at N4, N5 and N6 level with a score of 60% or above. The subject exemption must be decided by HOD and approved by the Dean of Faculty of Engineering and Technology.
- Programme prerequisites must be met before a candidate will be admitted to a specific programme of their choice if exemption is to be granted.

Table 5: Admission requirements for prospective students with NC(V)-4 qualification.

Qualification	Compulsory Subjects	Minimum for Diploma programme	NC-V
Diploma: Chemical Engineering Civil Engineering Electrical Engineering: ▪ Electronic ▪ Power ▪ Process Control & Computer Systems Industrial Engineering Mechanical Engineering Metallurgical Engineering	Mathematics/Vocational/ Technical Mathematics	4	3 = 40 – 49% (Not yet competent) 4 = 50 – 59% (Competent) 5 = 60 – 69% (Competent) 6 = 70 – 79% (Highly competent) 7 = 80 – 89% (Outstanding competent) 8 = 90 – 100%
	Physical Sciences/ Engineering Sciences/ Technical/Vocational Sciences	4	
	English Language	4	
Total		24	

Please note:

Vocational/Technical Sciences will be used for selection into: Electrical Engineering

Table 6: VUT scoring scale for N qualifications

Symbol achieved	N3	N4/N5/N6
A	6	8
B	5	7
C	4	6
D	3	5
E	2	4



7. DEPARTMENT OF CHEMICAL ENGINEERING AND METALLURGICAL ENGINEERING

Head of Department and Administrator

Surname, Initials & Title	Designation	Qualification
Kiambi, SL (Prof)	Head of Department	PhD
Visagie AM (Ms)	Administrator	AdvDip

7.1 CHEMICAL ENGINEERING

Discipline Staff Details

Surname, Initials & Title	Designation	Qualification
Seodigeng, T (Prof)	Associate Professor	PhD
Tshilenge, KJ (Prof)	Associate Professor	DTech
Rutto, HL (Prof)	Full Professor	PhD
Shoko, L (Dr)	Senior Technologist	PhD
Ngoy, E (Dr)	Senior Lecturer	PhD
Brink, CJ (Mrs)	Lecturer	BEng
Dube, G (Mr)	Lecturer	MTech
Khoza, CN (Mr)	Lecturer	MEng
Lerotholi, L (Mrs)	Lecturer	MEng
Modiba, E (Mr)	Lecturer	MTech
Nyembe N (Mr)	Lecturer	MTech
Mathebula, G (Mr)	Laboratory Technician	BTech
Mbedzi, RM (Mr)	Laboratory Technician	MTech
Muthubi, SS (Ms)	Laboratory Technician	BTech

7.1.1 DIPLOMA IN CHEMICAL ENGINEERING (DI0800)

7.1.1.1 Programme Structure

Three (3) year full-time qualification:

- Two and a half years (five semesters S1 to S5) at the Vaal University of Technology
- One semester (6 months) Workplace-Based Learning (WBL)

See page 79 for the curriculum.

7.1.1.2 Purpose Of The Diploma In Chemical Engineering

The generic purpose of the qualification is spelled out in section 4.1 and must be read in conjunction with the following.

The purpose of the qualification Diploma in Chemical Engineering is to develop the



necessary knowledge, under a competent practicing Chemical Engineering Technician. It is intended to subsequently empower candidate Engineering Technicians to demonstrate that they can apply their acquired knowledge, understanding, skills, attitudes and values in the work environments in South Africa. It is designed also to add value to the qualifying student in terms of enrichment of the person, status and recognition.

The qualified technician may find himself/herself as a member of an engineering team which may consist of engineers, scientists, artisans, process personnel, technologists and technicians from other disciplines. Functions may include the commissioning and maintenance of chemical plants, process control, design and development, optimising of chemical processes, quality control over the products of the manufacturing processes, feasibility studies and a variety of tasks related to the chemical process industry.

7.1.1.3 Admission Requirements: Diploma In Chemical Engineering

See section 6.2, page 18, of **6. Admission Requirements**

7.1.1.4 Career Opportunities

A profession in the field of Chemical Engineering offers a challenging and exciting career in both the private and public sectors. There is a continuous demand for trained manpower in the field of Chemical Engineering. Job designations may vary from production foremen, area superintendents, line managers and various others within several branches of heavy, light and general types of industries where the services and expertise of such persons are required.

The qualified technician may find himself / herself as a member of an engineering team which may consist of engineers, scientists, artisans, process personnel, technologists and technicians from other disciplines. Functions may include the commissioning and maintenance of chemical plants, process control, design and development, optimising of chemical processes, quality control over the products of the manufacturing processes, feasibility studies and a variety of tasks related to the chemical process industry.

7.1.1.5 Workplace Based Learning (WBL)

To qualify for the Diploma in Chemical Engineering, a minimum six-month period of suitable work integrated learning (WIL) in addition to the prescribed theoretical University training must be successfully completed. Work integrated learning refers to that component of co-operative education that can only be conducted by the employer in the workplace. This training provides the student with an opportunity to apply and develop the academic knowledge he/she received at the university to relevant problem situations in industry and exposure to typical organizational culture, human relations and working conditions.



With suitable guidance and supervision, the student is taught the responsibility to work independently and to develop an awareness of the ethics and requirements of industry. Work integrated learning may be done after completion of the total theoretical part of the Diploma, after S5 of uninterrupted theoretical training at the University. This will give the student sufficient theoretical knowledge to benefit from the training, especially as they progress through the more advanced module matter of S5 courses. To ensure the effectiveness of the work integrated learning, employer and the University must co-operate as partners. The student will enrol for the module Chemical Engineering Practice at the University. The employer will act as an examiner and must award a mark for the work integrated learning. To pass the student must obtain 50%, and to pass with distinction 75%. The University acts as a moderator for the module.

The student must have a mentor, who will certify that the student has completed the work required satisfactorily. During work integrated learning, the student must submit three-monthly progress reports (10 pages minimum) that contain enough information so that the training received can be evaluated. This report must be approved by the student's mentor before being submitted to the Department of Chemical Engineering, Vaal University of Technology. On completion of the training period, the student must submit Semester report and Project (20 pages minimum). All reports should be ring-bounded otherwise it will not be accepted for marking.

7.1.2 EXTENDED DIPLOMA IN CHEMICAL ENGINEERING (DE0801)

The department offers a 4-year Extended Diploma in Chemical Engineering. See page 88 for more information.

The curriculum of the four-year extended diploma is on page 89.

7.1.3 ADVANCED DIPLOMA IN CHEMICAL ENGINEERING (AD0800)

7.1.3.1 Programme Structure

One-year, full-time qualification.

See page 93 for the curriculum.

7.1.3.2 Purpose Of The Advanced Diploma In Chemical Engineering

The generic purpose of the qualification is spelled out in section 4.2 and must be read in conjunction with the following. The purpose of this qualification is to equip students with advanced technical skills and competencies to work in industry as a professional technologist or to progress to do higher academic qualifications. The knowledge emphasises general principles and application or technology transfer. The qualification provides students with a solid foundation in Chemical Engineering and the ability to apply their knowledge and skills in Chemical Engineering, while equipping them to undertake more specialised and intensive learning. This



programme leads to a qualification that has a strong professional and career focus and holders of this qualification are prepared to enter the chemical and process industry.

Specifically, the programme design is to meet the industry and community requirements, therefore the qualification's purpose is to build the necessary knowledge, understanding, abilities and skills for further learning towards becoming a competent practicing engineering technologist. This qualification provides:

1. Preparation for careers in chemical engineering, for achieving technical proficiency and to make a contribution to the economy and national development;
2. The educational base required for registration as a Professional Engineering Technologist with ECSA.
3. Entry to NQF level 8 programmes e.g., Bachelor's, Honours and Postgraduate Diploma Programmes and then to proceed to master's Programmes (NQF level 9).

Engineering students completing this qualification will demonstrate competence in all the Exit Level Outcomes (ELO's)/Graduate Attributes contained in this standard.

7.1.3.3 Admission Requirements: Advanced Diploma In Chemical Engineering

A Diploma in Chemical Engineering (NQF level 6, 360 credits) or equivalent qualification.

All other equivalent qualifications will be considered on a case-by-case basis.

7.1.4 POSTGRADUATE DIPLOMA IN CHEMICAL ENGINEERING (PG0800)

7.1.4.1 Programme Structure

One-year, full-time qualification.

See page 96 for the curriculum.

7.1.4.2 Purpose Of The Postgraduate Diploma In Chemical Engineering

The purpose of this qualification is to strengthen and deepen students' knowledge in the chemical engineering discipline with advanced technical skills and competencies to work in industry as a professional technologist and/or to progress to do higher academic qualifications. The knowledge emphasises consolidation and deepening of discipline specific expertise and developing competence to solve complex problems as well as to lay strong foundation for research capacity in the methodology and techniques in the chemical engineering discipline. The qualification provides students with a high level of theoretical engagement and solid intellectual independence as well as the ability to apply their knowledge and skills to undertake professional and highly skilled work in the area of Chemical Engineering and related



and/or specialised disciplines. This programme leads to a qualification that has a strong professional and career focus and holders of this qualification are prepared to enter the chemical and process industry.

Specifically, the programme design is to meet the industry and community requirements, therefore the qualification purpose is to build necessary knowledge content areas – specifically mathematical and natural sciences, discipline-specific advanced engineering sciences, and engineering design and synthesis have been developed meet or exceed the requirements of an NQF level 8 qualification.

This qualification provides:

1. Preparation for careers in chemical engineering, for achieving technical proficiency and to make a contribution to the economy and national development;
2. Entry to NQF level 9 programmes e.g., Master’s Degree Programmes such as MSc and MEng.
3. Access to register as a profession engineer through a relevant master’s degree.

Engineering students completing this qualification will demonstrate competence in all the twelve (12) Graduate Attributes (GAs) contained in the Qualification Standard for Postgraduate Diploma in Engineering: NQF Level 8 (ECSA Document E-09-PGDip or ECSA Document E-01-P).

7.1.4.3 Admission Requirements

Advanced Diploma in Chemical Engineering or equivalent qualification (on NQF level 7, minimum 120 credits) such as BTech in Chemical Engineering.

All other equivalent qualifications will be considered on a case-by-case basis.

7.1.5 MASTER OF ENGINEERING (MENG) IN CHEMICAL ENGINEERING (MP0800)

7.1.5.1 Programme Structure

At least one-year, full-time research, concluded with a Master Dissertation.

7.1.5.2 Purpose Of The MEng In Chemical Engineering

The purpose of this qualification is to develop a student into a researcher, able to conduct independent research with minimum guidance in a chosen field of Chemical Engineering. The outcomes of the research will contribute to knowledge production in the specialisation field. It also promotes a lifelong learning approach and an aptitude for training other students in similar fields. (Also see section 4.4.)

7.1.5.3 Admission Requirements

BEng degree in Chemical Engineering or equivalent level 8 qualification including PGD in Chemical Engineering. Proof of successful completion of a Vaal University of Technology approved course in Research Methodology is required.



Ad hoc cases will be treated on merit.

7.1.6 DOCTOR OF PHILOSOPHY (PHD) IN CHEMICAL ENGINEERING (708001)

7.1.6.1 Duration Of Programme

At least two years' full-time research, concluded with a Doctoral Thesis.

7.1.6.2 Admission Requirements

MEng (Chemical Engineering) or equivalent. Ad hoc cases will be treated on merit.

7.1.7 ASSESSMENT

The department follows the assessment strategy of formal written examination. The year mark is compiled from a series of not less than three tests and/or a practical mark. The year mark for admittance to the formal examination is 50%. Weights for calculating the year mark as well as the final mark will be reflected in the Learning Guide. All tests, assignments and practical work done during a particular semester, will help learners learn and understand the work.

Some modules follow the assessment strategies of Continuous Assessment (CASS). All marks obtained during the semester will make up the learner's final mark. Each Learning Guide will indicate which tests and activities will contribute according to a pre-determined weight, to the final mark.



7.2 METALLURGICAL ENGINEERING

Discipline Staff Details

Surname, Initials & Title	Designation	Qualification
Otunniyi, I (Prof)	Full Professor	PhD
Matizamhuka, W (Prof)	Associate Professor	PhD
Mendonidis, P (Prof)	Associate Professor	PhD
Baloyi, N (Mrs)	Lecturer	MTech
Kohithetse, I (Mr)	Lecturer	MTech
Lepule, M (Ms)	Lecturer	MTech
Maramba, B (Mr)	Lecturer	MSc
Motsetse, K (Dr)	Senior Lecturer	DTech
Baloyi, MF (Ms)	Technician	NDip
Jeli, N (Mr)	Technician	BTech
Nemavhola, K. (Ms)	Technician	MTech
Ayo,T (Mr)	Laboratory Assistant	BSc
Van der Schyff, A (Ms)	WIL Coordinator	MTech

7.2.1 DIPLOMA IN METALLURGICAL ENGINEERING (DI0850)

7.2.1.1 Programme Structure

Three-year full-time qualification.

- Five semesters, S1 to S5 at the Vaal University of Technology.
- One semester Workplace Based Learning (WBL).

See page 88 for the curriculum.

7.2.1.2 Purpose Of The Diploma In Metallurgical Engineering

The generic purpose of the qualification is spelled out in section 4.1 and must be read in conjunction with the following:

The purpose of the qualification Diploma in Metallurgical Engineering is to develop the necessary knowledge, understanding and skills required for the student's further learning towards becoming a competent practicing Metallurgical Engineering Technician. It is intended to subsequently empower candidate Engineering Technicians to demonstrate that they are capable of applying their acquired knowledge, understanding, skills, attitudes and values in the work environments in South Africa. It is designed also to add value to the qualifying student in terms of enrichment of the person, status and recognition.

7.2.1.3 Admission Requirements

See section 6.2, page 18, of **6. Admission Requirements**



7.2.1.4 Workplace Based Learning (WBL)

The Diploma in Metallurgical Engineering has a formal six-month workplace-based learning component that is coordinated by the Department of Metallurgical Engineering.

7.2.1 EXTENDED DIPLOMA IN METALLURGICAL ENGINEERING (DE0851)

The department offers a 4-year Extended Diploma in Metallurgical Engineering. See page 88 for more information.

The curriculum of the 4-year Extended Diploma is on page 91.

7.2.2 ADVANCED DIPLOMA IN METALLURGICAL ENGINEERING (AD0850)

7.2.2.1 Programme Structure

One-year, full-time qualification.

See page 96 for the curriculum.

7.2.2.2 Admission Requirements

A Diploma in Metallurgical Engineering (NQF level 6, 360 credits) or the old National Diploma: Engineering Metallurgy.

7.2.2.3 Programme Duration

This is a one-year, full-time programme.

7.2.2.4 Purpose Of The Qualification

The generic purpose of the qualification is spelled out in section 4.2 and must be read in conjunction with the following. The purpose of the qualification Advanced Diploma in Metallurgical Engineering is to develop the necessary knowledge, understanding and skills required for the student's further learning towards becoming a competent practicing Metallurgical Engineering Technologist.

It is intended to subsequently empower candidate Engineering Technologist to demonstrate that they are capable of applying their acquired knowledge, understanding, skills, attitudes and values in the work environments in South Africa.

It is designed also to add value to the qualifying student in terms of enrichment of the person, status and recognition.

7.2.2.5 Career Opportunities

A successful candidate can pursue a career as a technologist in one of the following specialisation fields: Physical Metallurgy or Extractive Metallurgy.

7.2.3 POSTGRADUATE DIPLOMA IN METALLURGICAL ENGINEERING (PG0850)

7.2.3.1 Programme Structure

One-year, full-time qualification.



See page 98 for the curriculum.

7.2.3.2 Admission Requirements:

Admission requires a 120 credit Advanced Diploma (NQF level 7) in Metallurgical Engineering.

7.2.3.3 Duration Of Programme:

This is a one-year, full-time programme.

7.2.4 MASTER OF ENGINEERING IN METALLURGICAL ENGINEERING (MENG METALLURGICAL ENGINEERING) (MP0850)

7.2.4.1 Admission Requirements

A BEng Degree or equivalent NQF level 8 qualification including the Postgraduate Diploma.

7.2.4.2 Duration Of Programme

The equivalent of one-year, full-time study.

7.2.4.3 Programme Structure

This instructional programme comprises of a dissertation only.

7.2.4.4 Purpose Of The Master Of Engineering In Metallurgical Engineering

The purpose of this qualification is to develop a student into a researcher, able to conduct independent research with minimum guidance in a chosen field of Metallurgical Engineering. The outcomes of the research will contribute to knowledge production in the specialisation field. It also promotes a lifelong learning approach and an aptitude for training other students in similar fields. (Also see section 4.4.)

7.2.5 DOCTOR OF ENGINEERING IN METALLURGICAL ENGINEERING (DENG METALLURGICAL ENGINEERING) (DP0850)

7.2.5.1 Admission Requirements

A MEng Degree or equivalent NQF level 9 qualification.

7.2.5.2 Duration Of Programme

The equivalent of two-year, full-time study.

7.2.5.3 Programme Structure

This instructional programme comprises of a dissertation only.

7.2.5.4 Purpose Of The Deng (Metallurgical Engineering)

The purpose of the qualification is to prove that the candidate is able to conduct independent research with minimum guidance in a chosen field of Metallurgical Engineering. The outcomes of the research will contribute to knowledge production



Faculty Prospectus 2024

in the specialisation field. It also promotes a lifelong learning approach and an aptitude for training other students in similar fields. (Also see section 4.5.)

7.2.5.5 Assessment

The thesis will be examined by two external and one internal examiner who are subject specialists. Only distinction work will qualify.

7.2.6 ASSESSMENT

The department follows the assessment strategy of formal written exams. The year mark is compiled from a series of not less than three tests and/or a practical mark. The year mark for admittance to the formal examination is 50%. Weights for calculating the year mark as well as the final mark will be reflected in the Learning Guide. All tests, assignments and practical work done during a particular semester, will help learners learn and understand the work.

Some modules follow the assessment strategies of Continuous Assessment (CASS). All marks obtained during the semester will make up the learner's final mark. Each module's Learning Guide will indicate which tests and activities will contribute, according to a pre-determined weight, to the final mark.

7.3 ENQUIRIES

Enquiries may be addressed to:

HoD: Chemical and Metallurgical Engineering

Faculty of Engineering & Technology

Vaal University of Technology

Private Bag X021

VANDERBIJLPARK, 1900

Tel : +27 (0)16 950 9402

Fax : +27 (0)16 950 9796

e-mail : sammyk1@vut.ac.za

rethav@vut.ac.za

Website : www.vut.ac.za

Postgraduate Office

Ms N Kokoali

Tel : +27 (0)16 950 9288

e-mail : nomathembak@vut.ac.za

Mr S Motsie

Tel : +27 (0)16 950 7639

e-mail : sehlabakam@vut.ac.za



8. DEPARTMENT OF CIVIL ENGINEERING

Departmental Staff Details

Surname, Initials & Title	Designation	Qualification
Ochieng', GM (Prof)	Head of Department	DTech: Eng: Civil
Tlakeli, RN (Ms)	Administrator	PGDHE
Acheampong, E (Mr)	Lecturer	MSc (Bldng & Const)
Beer, M (Mrs)	Lecturer	MSc (Civil Eng)
Gaborone, K (Mr)	Lecturer	BSc (Hons) Eng
Lamola, M (Mr)	Lecturer	BTech:Eng:Civil
Mukalay, J (Ms)	Lecturer	BEng (Civil)
Onyango, F (Mr)	Lecturer	MTech:Eng:Civil
Chapinduka, M (Ms)	Laboratory Technician	BTech: Eng: Civil
Modise, GS (Mrs)	Laboratory Technician	BTech: Eng: Civil
Phakathi, S (Mr)	Laboratory Technician	BTech: ICT
Smit M (Mr)	Laboratory Technician	BTech: Eng: Civil

8.1 DIPLOMA IN CIVIL ENGINEERING (DI0810)

8.1.1 PROGRAMME STRUCTURE

HEQSF Specification: The qualification Diploma in Civil Engineering is HEQSF aligned and bears the following HEQSF specifications:

HEQSF Qualification Type	Diploma
Variant	Vocationally oriented
NQF Exit Level	6
Minimum Total Credits	360
Minimum Credits at Exit Level	120

Duration: This is a three-year course and consists of five semesters' university attendance (39 modules) and one semester Workplace Based Learning in industry which should be done after completion of the total theoretical part of the Diploma i.e., after the fifth semester (S5) of uninterrupted theoretical training at the University. Each semester consists of approximately sixteen weeks of theoretical studies; each week consisting of lectures, tutorials and in some module's practical work done in laboratories or on site.

See page 80 for the curriculum.

8.1.2 PURPOSE OF THE QUALIFICATION

The generic purpose of the qualification is spelled out in section 4.1 and must be read in conjunction with the following:



The purpose of the qualification Diploma in Engineering: Civil Engineering is to develop focused knowledge and skills as well as experience in a work-related context. The Diploma in Engineering: Civil Engineering equips graduates with the knowledge base, theory, skills and methodology of Civil Engineering as a foundation for further training and experience towards becoming a competent Civil engineering technician. This foundation is achieved through a thorough grounding in mathematics and natural sciences specific to the field of Civil Engineering, engineering sciences, engineering design and the ability to apply established methods. Engineering knowledge is complemented by methods for understanding of the impacts of engineering solutions on people and the environment.

8.1.3 FIELDS OF STUDY

Fields of study includes but is not limited to transportation, water, structural, geotechnical, construction management and urban engineering.

8.1.4 CAREER OPPORTUNITIES

Civil Engineering Technicians could be involved with construction projects such as reinforced concrete, structural steel, timber and masonry structures, roads, bridges, dams, canals, pipelines, water purification, sewage treatment, airports, railways, harbours, housing and services.

There is ample opportunity to attain job satisfaction and attractive financial rewards. Some past students from this department have senior positions at consulting engineering firms, construction companies, government bodies, local authorities and industry.

The following selections of careers are available:

Design Draughtsman, Project Official, Site Agent, Municipal Technician, Engineering Surveyor, Quantity Technician, Designer, Laboratory Technician, Contract Manager, Project Planner, Estimator, Quality Controller or a Geotechnician.

8.1.5 ADMISSION REQUIREMENTS

See sections 6.2.1 (page 1918) and 6.3 (p 22) of **6. Admission Requirements**

8.1.6 ASSESSMENT

In the five-semester duration that the student undertakes the theoretical component of the qualification, the student's progress is evaluated by means of tests and the presentation of projects and practical reports. At the end of each semester, final examinations are written over a two-week period on all the work done during the semester.



NB: It is critical for the learner’s success to note that: The exit level modules are evaluated by means of a learner having to show competence in the graduate attribute(s) (GAs) associated with the relevant exit level modules. The exit level modules associated with particular GAs shall be made known to the learner in advance by the Lecturer concerned and the respective rules governing the measure of achievement or none achievement of competence and the consequences thereof shall also be communicated to the learner with further instructions also included in the learner guides and the assessment documents

8.1.7 STANDARD FOR THE AWARD OF THE QUALIFICATION

The purpose and level of the qualification will have been achieved when the student has demonstrated:

- The knowledge defined in the Table below (knowledge area characteristics and credits – Diploma in Civil Engineering); and
- The skills and applied competence defined in section 4.1 (GAs for Diploma: Engineering).

Table: Knowledge area characteristics and credits (Diploma in Engineering)

Knowledge area	Credits
Mathematical Sciences	36
Natural Sciences	52
Engineering Sciences	127
Design and Synthesis	28
Computing and Information Technology	29
Complementary Studies	65
Work Integrated Learning	60
Total	397

8.1.8 ACHIEVEMENT OF COMPETENCE IN ASSESSED GRADUATE ATTRIBUTES

The Department of Civil Engineering at VUT applies a 4-point Likert scale to assess the achievement level of a given Graduate Attribute. The 4-point Likert scale is defined in bands/range of percentage score in the assessed graduate attribute as shown in Table below:



Table: 4-point Likert scale Levels of Graduate Attribute (GA) Acquisition

Level	Intuitive Label	Band / Range % Score	Achievement statement
1	Emergent	0% - 24%	Not Achieved (Does not meet GA)
2	Basic	25% - 49%	Partially Achieved (Does not meet GA)
3	Adequate	50% - 74%	Achieved (Meet GA)
4	Superior	75% - 100%	Fully Achieved (Meet GA)

Levels 1-2 correspond to levels of pre-acquisition. At level 3, mastery and/or acquisition of an attribute is deemed acceptable in a university setting. Level 4 designate a level of excellence that may go beyond what is expected in a university setting and may not be reached by all students (Ipperciel & ElAtia, 2014).

8.1.9 PRESENTATION OF EVIDENCE OF ASSESSMENT OF GRADUATE ATTRIBUTES

For transparency and clarity in assessment outcomes, the evidence of assessment of GAs is presented as per the following template prescribed by ECSA.

Table: Presenting Evidence of Assessment of GAs

ECSA Graduate Attribute
e.g., GA1: Problem Solving
Apply engineering principles to systematically diagnose and solve <i>well-defined</i> engineering problems
Where is the attribute assessed?
How is this attribute assessed?
What is satisfactory performance/achievement?
What is the consequence of unsatisfactory performance/non-achievement?

8.1.10 WORKPLACE BASED LEARNING (WBL)

To qualify for the Diploma in Civil Engineering, a minimum six-month period of suitable work integrated learning (WIL) in addition to the prescribed theoretical University training must be successfully completed. Work integrated learning refers to that component of co-operative education that can only be conducted by the employer in the workplace. This training provides the student with an opportunity to apply and develop the academic knowledge he/she received at the university to relevant problem situations in industry and exposure to typical organizational culture, human relations and working conditions. With suitable guidance and supervision, the student is taught the responsibility to work independently and to develop an awareness of the ethics and requirements of industry. Work integrated learning may be done after completion of the total theoretical part of the Diploma, after S5 of uninterrupted theoretical training at the University. This will give the



student enough theoretical knowledge to benefit from the training, especially as they progress through the more advanced module matter of S5 courses.

To ensure the effectiveness of the work integrated learning, employer and University must co-operate as partners. The student will enrol for the module Civil Engineering Practice at the University. The employer will act as an examiner and must indicate the level of achievement of competence of the student in line with Graduate Attribute number 11 (Workplace Practice) for the qualification Diploma in Engineering. The assessment of the level of GA acquisition shall be in line with the following typifying exemplified associated competency indicators:

- i. Orientation to the working environment is described in terms of company structure and conventions, rules, policies, working hours, dress codes and reporting lines.
- ii. Labour practices used in the workplace are described in accordance with relevant legislation.
- iii. Workplace safety is described in terms of the application of relevant safety, health and environmental legislation.
- iv. General administration procedures are described in terms of how they operate and the key purpose.
- v. Work activities are conducted in a manner suited to the work context.

Range: Work activities include assisting, contributing, observing and applying at least four of the specific practices below:

- Engineering processes, skills and tools, including measurement;
 - Investigations, experiments and data analysis;
 - Problem solving techniques;
 - Application of scientific and engineering knowledge;
 - Engineering planning and design;
 - Professional and technical communication;
 - Individual and teamwork; or
 - The impact of engineering activity on health, safety and the environment.
- vi. Knowledge and understanding gained from the work-integrated learning period is reported in a prescribed format, using appropriate language and style.

To pass the student must obtain a minimum of Level 3 (adequate achievement: 50% - 74% Range Score as stipulated in the 4-Point Likert Scale in the previous Table provided in the section under **Assessment**), and to pass with distinction $\geq 75\%$ (Level 4). The University acts as a moderator for the module.

The student must have a mentor, who will certify that the student has completed the work required satisfactorily.



During work integrated learning, the student must submit three-monthly progress reports (10 pages minimum) that contain sufficient information so that the training received can be evaluated. This report must be approved by the student's mentor before being submitted to the Department of Civil Engineering, Vaal University of Technology.

On completion of the training period, the student must submit Semester report and Project (20 pages minimum). All reports should be ring-bounded otherwise it will not be accepted for marking.

8.2 EXTENDED DIPLOMA IN METALLURGICAL ENGINEERING (DE0811)

The department offers a 4-year Extended Diploma in Civil Engineering. See section 11.2 (p 88) for more information.

The curriculum of the 4-year Extended Diploma is on page 89.

8.3 ADVANCED DIPLOMA IN CIVIL ENGINEERING (AD0810)

8.3.1 PROGRAMME STRUCTURE

HEQSF Specification: The qualification Advanced Diploma in Civil Engineering is HEQSF aligned and bears the following HEQSF specifications:

HEQSF Qualification Type	Advanced Diploma
Variant	Professionally oriented
NQF Exit Level	7
Minimum Total Credits	140
Minimum Credits at Exit Level	120

Qualification title: Advanced Diploma in Civil Engineering

Duration: This is a one-year, full-time course and consists of two semesters' university attendance (13 modules) that includes two (2) modules on Civil Engineering Research Methods and Project.

Each semester consists of approximately sixteen weeks of theoretical studies; each week consisting of lectures, tutorials and in some module's practical work done in laboratories or on site.

See page 94 for the curriculum.

8.3.2 PURPOSE OF THE QUALIFICATION

The generic purpose of the qualification is spelled out in section 4.2 and must be read in conjunction with the following:

This qualification is primarily industry oriented. The knowledge emphasises general principles and application or technology transfer. The qualification provides students with a sound knowledge base in the field of Civil Engineering and its respective



disciplines e.g., Structural, Water, Transportation, Environmental, and Urban Engineering and the ability to apply their knowledge and skills to becoming a competent Professional Civil Engineering Technologist, while equipping them to undertake more specialised and intensive learning. Programmes leading to this qualification tend to have a strong professional or career focus and holders of this qualification are normally prepared to enter a specific niche in the labour market.

Specifically, the purpose of educational programmes designed to meet this qualification are to build the necessary knowledge, understanding, abilities and skills required for further learning towards becoming a competent practicing civil engineering technologist. This qualification provides:

- Preparation for careers in civil engineering and areas that potentially benefit from engineering skills, for achieving technical proficiency and to contribute to the economy and national development.
- The educational base required for registration as a Professional Civil Engineering Technologist with ECSA.
- Entry to NQF level 8 programmes e.g., Honours, Post Graduate Diploma and B Eng Programmes and then to proceed to Masters Programmes.

Civil engineering students completing this qualification will demonstrate competence in all the Graduate Attributes (Exit Level Outcomes) contained in this standard.

8.3.3 FIELDS OF STUDY

Fields of study includes but is not limited to transportation, water, structural, geotechnical, construction management and urban engineering.

8.3.4 CAREER OPPORTUNITIES

Professional Civil Engineering Technologists could be involved with construction projects such as reinforced concrete, structural steel, timber and masonry structures, roads, bridges, dams, canals, pipelines, water purification, sewage treatment, airports, railways, harbours, housing and services.

There is ample opportunity to attain job satisfaction and attractive financial rewards. Some past students from this department have senior positions at consulting engineering firms, construction companies, government bodies, local authorities and industry.

The following selections of careers are available:

Design Draughtsperson, Project Official, Site Agent, Municipal Technologist, Engineering Surveyor, Designer, Senior Laboratory Technologist, Contract Manager, Project Planner, Estimator, Quality Controller or a Geo-technologist.

8.3.5 ADMISSION REQUIREMENTS: ADVANCED DIPLOMA IN CIVIL ENGINEERING



See section 6.2.2 (p 2218) of **6. Admission Requirements**, or a relevant qualification (e.g. Bachelors in Civil Engineering).

8.3.6 ASSESSMENT

In the two (2) semester duration that the student undertakes the theoretical component of the qualification, the student's progress is evaluated by means of tests and the presentation of projects and practical reports. At the end of each semester, final examinations are written over a two-week period on all the work done during the semester. The Research Methodology and Research Project will be assessed by means of Continuous Assessment (CASS) strategy through project proposal writing and presentation, presentation of project work and portfolio of evidence for the project undertaken.

NB: It is critical for the learner's success to note that: All subjects/modules presented at this level are exit level modules and shall be evaluated by means of a learner having to show competence in ALL the ten (10) graduate attribute(s) (GAs) associated with the relevant exit level modules. The exit level modules associated with particular GAs shall be made known to the learner in advance by the Lecturer concerned and the respective rules governing the measure of achievement or none achievement of competence and the consequences thereof shall also be communicated to the learner with further instructions also included in the learner guides and the assessment documents.

8.3.7 STANDARD FOR THE AWARD OF THE QUALIFICATION

The purpose and level of the qualification will have been achieved when the student has demonstrated:

- The knowledge defined in the Table below (knowledge area characteristics and credits – Advanced Diploma in Civil Engineering); and
- The skills and applied competence defined in section 4.2 (GAs for Advanced Diploma in Civil Engineering).



Table: Knowledge area characteristics and credits (Advanced Diploma)

Knowledge area	Credits
Mathematical Sciences	18
Natural Sciences	15
Engineering Sciences	30
Engineering Design and Synthesis	26
Computing and Information Technology	18
Complementary Studies	33
Total	140

8.3.8 ACHIEVEMENT OF COMPETENCE IN ASSESSED GRADUATE ATTRIBUTES

See section 8.1.8, p 36.

8.3.9 PRESENTATION OF EVIDENCE OF ASSESSMENT OF GRADUATE ATTRIBUTES

See section 8.1.9, p 37.

8.4 POSTGRADUATE DIPLOMA IN CIVIL ENGINEERING (PG0810)

8.4.1 PROGRAMME STRUCTURE

HEQSF and NQF Specification: The qualification Postgraduate Diploma in Civil Engineering is HEQSF aligned and bears the following HEQSF specifications:

HEQSF Qualification Type	Postgraduate Diploma
Variant	Professionally oriented
NQF Exit Level	8
Minimum Total Credits	140
Minimum Credits at Exit Level	120

Qualification title: Postgraduate Diploma (PGD) in Civil Engineering

Duration: This is a one-year, full-time programme. Consists of two semesters' university attendance (8 modules) that includes two (2) modules on Civil Engineering Research Project. Each semester consists of approximately sixteen weeks of theoretical studies; each week consisting of lectures, tutorials and in some module's practical work done in laboratories or on site.

See page 97 for the curriculum.

8.4.2 PURPOSE OF THE QUALIFICATION

The Postgraduate Diploma in Civil Engineering is a postgraduate qualification, exhibiting the characteristics that it prepares students for industry and research. This qualification typically follows a Bachelor's Degree, Advanced Diploma or relevant NQF level 7 qualifications and serves to consolidate and deepen the student's



expertise in the field of Civil Engineering and to develop research capacity in the methodology and techniques of Civil Engineering disciplines.

This qualification demands a high level of theoretical engagement and intellectual independence. It also requires the student to have the ability to relate knowledge to a range of contexts in order to undertake professional or highly skilled work.

This qualification provides:

1. Preparation for a career in civil engineering itself and areas that potentially benefit from civil engineering skills, for achieving technological proficiency and to contribute to the economy and national development; and
2. Entry to NQF level 9 Master's Degree programmes in civil engineering e.g. MSc/MEng
3. Pathway for registration as a Candidate Engineer

Civil Engineering students completing this qualification will demonstrate competence in all the graduate attributes contained in the ECSA Document for the Qualification Standard for Postgraduate Diploma in Engineering Technology: NQF Level 8 (Document No.: E-09-PGDip).

8.4.3 FIELDS OF STUDY

Fields of study include transportation, water, structural, geotechnical, project and construction management and environmental engineering.

8.4.4 CAREER OPPORTUNITIES

Postgraduate Diploma in Civil Engineering prepares candidates with a stronger and deeper knowledge in the disciplines of civil engineering. The graduates could be involved in research to solve complex civil engineering problems. The structure of the programme is such that the candidates acquire competencies that meet the educational requirements for registration in the category candidate engineer. As a researcher or engineer, the graduates could be involved at a higher level, with construction projects such as reinforced concrete, structural steel, timber and masonry structures, roads, bridges, dams, canals, pipelines, water purification, sewage treatment, airports, railways, harbours, housing and services, and environmental engineering related works.

8.4.5 ADMISSION REQUIREMENTS: PGD IN CIVIL ENGINEERING

See section 6.2.36.2.1 (p 2218) of **6. Admission Requirements**

8.4.6 ASSESSMENT

In the two (2) semester duration that the student undertakes the theoretical component of the qualification, the student's progress is evaluated by means of tests and the presentation of projects and practical reports. At the end of each semester,



final examinations are written over a two-week period on all the work done during the semester. The Research Projects will be assessed by means of Continuous Assessment (CASS) strategy through project proposal writing and presentation, presentation of project work and portfolio of evidence for the project undertaken.

NB: It is critical for the learner’s success to note that: All subjects/modules presented at this level are exit level modules and shall be evaluated by means of a learner having to show competence in ALL the twelve (12) graduate attribute(s) (GAs) associated with the relevant exit level modules. The exit level modules associated with particular GAs shall be made known to the learner in advance by the Lecturer concerned and the respective rules governing the measure of achievement or none achievement of competence and the consequences thereof shall also be communicated to the learner with further instructions also included in the learner guides and the assessment documents.

8.4.7 STANDARD FOR THE AWARD OF THE QUALIFICATION

The qualification may be awarded when the qualification standard has been met or exceeded. The measure of this achievement is when the student has demonstrated:

- The knowledge defined in the Table below (knowledge area characteristics and credits – Postgraduate Diploma in Engineering: Civil Engineering); and
- The skills and applied competence defined in the ECSA Document for the Qualification Standard for Postgraduate Diploma in Engineering Technology: NQF Level 8 (Document No.: E-09-PGDip) – Graduate Attributes for postgraduate Diploma in Engineering Technology.

Table: Knowledge area characteristics and credits (Postgraduate Diploma)

Knowledge area	Credits
Mathematical Sciences	7
Natural Sciences	14
Engineering Sciences	42
Engineering Design & Synthesis	28
Computing and IT	7
Complementary Studies	7
Available for re-allocation in above areas	35
Total	140

8.4.8 ACHIEVEMENT OF COMPETENCE IN ASSESSED GRADUATE ATTRIBUTES

See section 8.1.8, p 36

8.4.9 PRESENTATION OF EVIDENCE OF ASSESSMENT OF GRADUATE ATTRIBUTES

See section 8.1.9, p 37



8.5 MASTER OF ENGINEERING (MENG) IN CIVIL ENGINEERING (MP0810)

8.5.1 PURPOSE OF THE MENG IN CIVIL ENGINEERING

The purpose of this qualification is to develop a student into a researcher, able to conduct independent research with minimum guidance in a chosen field of Civil Engineering. The outcomes of the research will contribute to knowledge production in the specialisation field. It also promotes a lifelong learning approach and an aptitude for training other students in similar fields. (Also see section 4.4)

8.5.2 ADMISSION REQUIREMENTS

A BEng degree or equivalent level 8 qualification including the Postgraduate Diploma in Civil Engineering.

Proof of successful completion of a Vaal University of Technology approved course in Research Methodology.

Ad hoc cases will be treated on merit.

8.5.3 DURATION OF PROGRAMME

The equivalent of one-year, full-time study.

8.5.4 PROGRAMME STRUCTURE

This instructional programme comprises of a thesis only.

8.5.5 ASSESSMENT

The Master's Dissertation/thesis is assessed both internally and externally. An average mark is calculated from the allocations made by both the internal and external examiners. A pass mark of 50% is required for the qualification to be awarded.

8.6 DOCTOR OF ENGINEERING IN CIVIL ENGINEERING (DP0810)

8.6.1 PURPOSE OF THE DENG IN CIVIL ENGINEERING

The purpose of the qualification is to develop a researcher who will make a significant and original contribution to knowledge in a specialised area of civil engineering and technology. To develop a researcher in civil engineering with advanced abilities, to independently apply civil engineering design, synthesis, and related principles, to specific problems of society at large.

One of the main objectives in this process is to develop an advanced capability to conduct engineering research of an original nature. It also promotes a lifelong learning approach and an aptitude for training other students in similar fields. (Also see section 4.5.)



8.6.2 ADMISSION REQUIREMENTS

Master of Engineering in Civil Engineering or equivalent level 9 qualification.

Ad hoc cases will be treated on merit.

8.6.3 DURATION OF PROGRAMME

At least two years' full-time research, concluded with a Doctoral Thesis.

8.6.4 ASSESSMENT

The Doctoral Thesis is assessed both internally and externally. No marks are awarded. The thesis is assessed as either a Pass or Fail. The Doctorate is awarded when all examiners prescribe a Pass for the thesis.

8.7 ENQUIRIES

Enquiries may be addressed to:

HoD: Civil Engineering

Faculty of Engineering & Technology

Vaal University of Technology

Private Bag X021

VANDERBIJLPARK, 1900

Tel : +27 (0)16 950 9241

Fax : +27 (0)16 950 9957

e-mail : georgeo@vut.ac.za

rosaliat@vut.ac.za

Website : www.vut.ac.za

Postgraduate Office

Ms N Kokoali

Tel : +27 (0)16 950 9288

e-mail : nomathembak@vut.ac.za

Mr S Motsie

Tel : +27 (0)16 950 7639

e-mail : sehlabakam@vut.ac.za



9. DEPARTMENT OF ELECTRICAL ENGINEERING

Head of Department and Administrator

Surname, Initials & Title	Designation	Qualification
Nyamupangedengu, C (Prof)	Head of Department	PhD
Mwale, RZ (Ms)	Administrator	PG Dip (HE)

9.1 ELECTRICAL ENGINEERING: COMPUTER SYSTEMS ENGINEERING

Discipline Staff Details (Process Control and Computer Systems)

Surname, Initials & Title	Designation	Qualification
Joubert, A (Prof)	Senior Lecturer	DTech Eng
Otunniyi, TO (Dr)	Senior Lecturer	PhD
Pretorius, PD (Mr)	Senior Research Technologist	MTech
Maloka, TV (Mr)	Lecturer	BTech
Mohapi, MJ (Ms)	Lecturer	MTech
Nshimba, KT (Mr)	Lecturer	MSc
Theko, M	Lecturer	MTech
Tukisi, TW (Mr)	Lecturer	MEng
Vosloo, AM (Ms)	Lecturer	BTech
Benson, MJM (Mr)	Junior Lecturer	MTech
Baxter, R (Mr)	Technician	BTech
Du Rand, F (Mr)	Technician	MTech
Roos, L (Mr)	Technician	BTech
Van Tonder, Z (Ms)	Technician	BTech
Ojoseriki, DF (Mr)	Lab Assistant	BTech

9.1.1 DIPLOMA IN ELECTRICAL ENGINEERING: COMPUTER SYSTEMS ENGINEERING (DI0822)

9.1.1.1 Duration Of Programme

Three years qualification, min 360 credits, NQF level 6. Offered full-time, contact classes are for a period of six semesters (three years) followed by a one-year Workplace Based Learning (WBL) (carried out through attachment to industry) component. The student will be assisted by the university to look for suitable industry opportunities (companies) to complete the required WBL training and skills development.

See page 81 for the curriculum.

9.1.1.2 Admission Requirements

See section 6.2, page 18, of **6. Admission Requirements**



9.1.1.3 Course Progression Rules:

- A minimum of 60 credits must be passed in any year, before a student can enrol for a succeeding year. Only modules, for which the required pre-requisite(s) have been passed, can be enrolled for in the succeeding year.
- Students must pass all theory modules before he/she may do WPBL.

9.1.1.4 Workplace Based Learning (WBL)

The Diploma in Electrical Engineering: Computer Systems Engineering has a formal Workplace Based Learning (WBL) component of 60 credits. This takes place at an accredited employer (company). A student needs to pass all the qualification required modules before applying for placement at a company to do the WPBL modules of the qualification. The student will be assisted to find suitable placement after which the student will register for the WBL modules. The student will provide progress reports at regular intervals, in co-operation with a work-based mentor, to confirm that the necessary practical outcomes are being achieved.

9.1.2 EXTENDED DIPLOMA IN ELECTRICAL ENGINEERING: COMPUTER SYSTEMS ENGINEERING (DE0862)

The department offers a 4-year Extended Diploma in Metallurgical Engineering. See page 88 for more information.

The curriculum of the 4-year Extended Diploma is on page 91.

9.1.3 ADVANCED DIPLOMA IN ELECTRICAL ENGINEERING: COMPUTER SYSTEMS ENGINEERING (AD0822)

9.1.3.1 Admission Requirements

For admission into the Advanced Diploma in Electrical Engineering: Computer Systems Engineering (NQF level 7, min 145 credits), all applicants must have a Diploma in Electrical Engineering: Computer Systems Engineering (NQF level 6, min 360 credits) or equivalent.

See page 94 for the curriculum.

9.1.3.2 Duration Of Programme:

One-year, full-time qualification.

9.1.3.3 Course Progression Rules:

- A minimum of 60 credits must be passed in any year, before a student can enrol for a succeeding year. Only modules, for which the required pre-requisite(s) have been passed, can be enrolled for in the succeeding year.

9.1.3.4 Typical Work Environment For The Computer Systems Engineering Technologist

Hardware design and development using microcontroller and mobile systems. Data



communications, design, installation and maintenance of network and data management systems. Programming and data processing. Database applications. Design and development of fully engineered systems.

9.1.3.5 Career Opportunities

The computerisation and digitization of most facets of modern business and industry, together with the great demand for technical skilled manpower created a multitude of possibilities for such a career in Computer Systems Engineering.

9.1.3.6 Career Status

The Computer Systems Engineering Technologist can register for professional status with ECSA, the Control Board for Engineering Technologists.

9.1.4 MASTER OF ENGINEERING IN ELECTRICAL ENGINEERING: COMPUTER SYSTEMS ENGINEERING (MP0820)

9.1.4.1 Programme Structure

At least one-year full-time research, concluded with a Master's Dissertation.

9.1.4.2 Purpose Of The MEng In Electrical Engineering: Computer Systems Engineering

The purpose of this qualification is to develop a student into a researcher, able to conduct independent research with minimum guidance in a chosen field of Electrical Engineering: Computer Systems Engineering. The outcomes of the research will contribute to knowledge production in the specialisation field. It also promotes a lifelong learning approach and an aptitude for training other students in similar fields. (Also see section 4.4.)

9.1.4.3 Admission Requirements

A BEng degree in Electrical Engineering: Computer Systems Engineering or equivalent level 8 qualification. Proof of successful completion of Vaal University of Technology approved course in Research Methodology. Ad hoc cases will be treated on merit.

9.1.5 DOCTOR OF ENGINEERING IN ELECTRICAL ENGINEERING: COMPUTER SYSTEMS ENGINEERING (DP0820)

9.1.5.1 Programme Structure

At least two years' full-time research, concluded with a Doctoral Thesis.

9.1.5.2 Purpose Of The Doctor Of Engineering In Electrical Engineering: Computer Systems Engineering

The purpose of the qualification is to develop a researcher who will make a significant and original contribution to knowledge in a specialised area of electrical engineering in Computer Systems Engineering and related technologies. To develop a researcher in Electrical Engineering in Computer Systems Engineering with advanced abilities, to



independently apply Electrical Engineering: Computer Systems Engineering industrial based designs, synthesis, and related computer systems engineering principles, to specific problems of society at large.

One of the main objectives in this process is to develop an advanced capability to conduct engineering research of an original nature. It also promotes a lifelong learning approach and an aptitude for training other students in similar fields. (See also section 4.5.)

9.1.5.3 Admission Requirements

MEng in Electrical Engineering: Computer Systems Engineering. Ad hoc cases will be treated on merit.



9.2 ELECTRICAL ENGINEERING: ELECTRONIC ENGINEERING

Discipline Staff Details (Electronic Engineering)

Surname, Initials & Title	Designation	Qualification
Cronje, DJ (Mr)	Discipline Coordinator	MSc
Sutherland, G (Dr)	HoD: Centre for Alternative Energy	PhD
Joubert, MJ (Mr)	Senior Lecturer	MDip Tech
Viljoen, M (Mr)	Senior Lecturer	MTech
Akinwunmi, AT (Mr)	Technologist	MTech
Jacobs, SJ (Mr)	Lecturer	BTech
Jansen van Rensburg, N (Mr)	Lecturer	MTech
Khoza, MW (mr)	Lecturer	BSc
Kotsi, NL (Mr)	Lecturer	NHD
Mokautu, EMP (Mr)	Lecturer	MSc
Moletsane, FM (Mr)	Lecturer	BTech
Mugwabana, M (Mr)	Lecturer	BTech
Schoeman, RM (Mr)	Lecturer	MTech
Greeff, R (Mr)	Technician	BTech
Mawebele, T (Mr)	Technician	BTech
Thomas, JJP (Mr)	Laboratory Assistant	Snr Certificate

9.2.1 DIPLOMA IN ELECTRICAL ENGINEERING: ELECTRONIC ENGINEERING (DI0823)

9.2.1.1 Programme Structure

Three years full-time qualification, min 360 credits, NQF level 6. Sixty (60) credits are allocated to Workplace Based Learning (WPBL). WIL can take various forms including simulated learning, work-directed theoretical learning, problem-based learning, project-based learning and Workplace Based Learning. The Workplace Based Learning will take place in Industry and is currently the only form of WIL being accepted. WIL may only be attempted once all compulsory modules have been completed.

See page 82 for the curriculum.

9.2.1.2 Purpose Of The Diploma In Electrical Engineering: Electronic Engineering

The generic purpose of the qualification is spelled out in section 4.1 and must be read in conjunction with the following: The purpose of the qualification Diploma in Electrical Engineering: Electronic Engineering discipline is to develop the necessary knowledge, understanding and skills required for the student’s further learning towards becoming a competent practicing Electronic Engineering Technician. It is intended to subsequently empower candidate Engineering Technicians to



demonstrate that they are capable of applying their acquired knowledge, understanding, skills, attitudes, and values in the work environment in South Africa. It is designed also to add value to the qualifying student in terms of enrichment of the person, status, and recognition.

9.2.1.3 Admission Requirements

See section 6.2, page 18, of **6. Admission Requirements**

9.2.1.4 Career Opportunities

A successful candidate can pursue a career as a technician in one of the following specialisation fields: Electronic design and development; Electronic maintenance; Electronic communication design and development.

9.2.1.5 Course Progression Rules:

- A minimum of 60 credits must be passed in any year, before a student can enrol for a succeeding year. Only modules, for which the required pre-requisite(s) have been passed, can be enrolled for in the succeeding year.
- Student must pass all theory modules before he/she may do WBL.

9.2.1.6 Workplace Based Learning (WBL)

The Diploma in Electrical Engineering: Electronic Engineering has a formal Workplace Based Learning (WPBL) component of 60 credits. This takes place at an accredited employer (company). A student needs to pass all the qualification required modules before applying for placement at a company to do the WPBL modules of the qualification. The student will be assisted to find suitable placement after which the student will register for the WBL modules. The student will provide progress reports at regular intervals, in co-operation with a work-based mentor, to confirm that the necessary practical outcomes are being achieved.

9.2.2 EXTENDED DIPLOMA IN ELECTRICAL ENGINEERING: ELECTRONIC ENGINEERING (DE0863)

The department offers a 4-year Extended Diploma in Electrical Engineering: Electronic Engineering. See page 88 for more information.

The curriculum of the 4-year Extended Diploma is on page 92.

9.2.3 ADVANCED DIPLOMA IN ELECTRICAL ENGINEERING: ELECTRONIC ENGINEERING (AD0823)

9.2.3.1 Admission Requirements

For admission into the Advanced Diploma in Electrical Engineering: Electronic Engineering (NQF level 7, min 145 credits) all applicants must have a Diploma in Electrical Engineering: Electronic Engineering (NQF level 6, min 360 credits) or equivalent. Apart from the prescribed qualification, a specified period of relevant



post-qualification practical experience is a prerequisite for registration.

See page 94 for the curriculum.

9.2.3.2 Duration of Programme

One-year, full-time qualification.

9.2.3.3 Course Progression Rule:

- Student must complete all four compulsory modules and 4 choice modules from either Group A or B.

9.2.4 MASTER OF ENGINEERING IN ELECTRICAL ENGINEERING: ELECTRONIC ENGINEERING (MP0820)

9.2.4.1 Programme Structure

At least one-year, full-time research, concluded with a master's dissertation.

9.2.4.2 Purpose of the MEng in Electrical Engineering: Electronic Engineering

The purpose of this qualification is to develop a student into a researcher, able to conduct independent research with minimum guidance in a chosen field of Electrical Engineering: Electronic Engineering. The outcomes of the research will contribute to knowledge production in the specialisation field. It also promotes a lifelong learning approach and an aptitude for training other students in similar fields. (Also see section 4.4).

9.2.4.3 Admission Requirements

A BEng degree or equivalent level 8 qualification including the Postgraduate Diploma. Proof of successful completion of a Vaal University of Technology approved course in Research Methodology. Ad hoc cases will be treated on merit.

9.2.5 MASTER OF ENGINEERING IN ENERGY EFFICIENCY (MENG: ENERGY EFFICIENCY) (MP0823)

The MEng (Energy Efficiency) was developed under the guidance and with the support of the PEESA project (<http://peesa.usz.edu.pl>).

See page 98 for the curriculum.

9.2.5.1 Admission Requirements

An appropriate BEng or equivalent level 8 qualification, including a Postgraduate Diploma.

9.2.5.2 Duration of Programme

One-year, full-time or two-year part time.



9.2.5.3 Enquiries (MEng: Energy Efficiency):

Dr Trudy Sutherland

Tel: : +27 (0)16 950 9724

E-mail : trudys@vut.ac.za

9.2.6 DOCTOR OF ENGINEERING (DENG) IN ELECTRICAL ENGINEERING: ELECTRONIC ENGINEERING (DP0820)

9.2.6.1 Programme Structure

At least two years' full-time research, concluded with a Doctoral Thesis. This qualification is offered at the Vanderbijlpark campus only.

9.2.6.2 Purpose of the DEng in Electrical Engineering: Electronic Engineering

The purpose of the qualification is to develop a researcher who will make a significant and original contribution to knowledge in a specialised area of electrical engineering and technology. To develop a researcher in Electrical Engineering: Electronic Engineering with advanced abilities, to independently apply electrical engineering design, synthesis, and related principles, to specific problems of society at large. One of the main objectives in this process is to develop an advanced capability to conduct engineering research of an original nature. It also promotes a lifelong learning approach and an aptitude for training other students in similar fields. (Also see section 4.5).

9.2.6.3 Admission Requirements

MEng in Electrical Engineering: Electronic Engineering.

Ad hoc cases will be treated on merit.

9.2.7 ASSESSMENT

The department follows the assessment strategy of formal written exams. The year mark is compiled from a series of not less than three tests and / or a practical mark. The year mark for admittance to the formal examination is 50%. Weights for calculating the year mark as well as the final mark will be reflected in the Learning Guide. All tests, assignments and practical work done during a particular semester, will help learners learn and understand the work.

Some modules follow the assessment strategies of Continuous Assessment (CASS). All marks obtained during the semester will make up the learner's final mark. Each module's Learning Guide will indicate which tests and activities will contribute according to a pre-determined weight, to the final mark.



9.3 ELECTRICAL ENGINEERING: POWER ENGINEERING

Discipline Staff Details (Power Engineering)

Surname, Initials & Title	Designation	Qualification
Thekiso, MQ (Mr)	Discipline Coordinator	BTech
Joubert, T (Ms)	Senior Lecturer	MTech
Langa, H (Dr)	Senior Lecturer	PhD
Oosthuysen, NJ (Mr)	Senior Lecturer (C)	MDip Tech
Adeniyi AO (Mr)	Lecturer	MTech
Djeumen, JS (Mr)	Lecturer	MTech
Momubaghan, PU (Mr)	Lecturer	BSc
Pulutsoane, MGE (Mr)	Lecturer	BTech
Kaaiye, S (Mr)	Lecturer	MSc Eng
Makhalima, AT (Mr)	Junior Lecturer	BTech
Motloug, DP (Mr)	Junior Lecturer	ND
Sebueng, S (Mr)	Junior Lecturer	BTech
Shittu, AM (Mr)	Junior Lecturer	BSc
Kyere, IK (Mr)	Technologist	MTech
Hlongwana A (Mr)	Lab Technician	BTech
Makgai, K (Mr)	Lab Technician	BTech
Ntshangase M (Mr)	Lab Technician	BTech
Mtambo, BA (Mr)	Laboratory Assistant	Sr Certificate

9.3.1 DIPLOMA IN ELECTRICAL ENGINEERING: POWER ENGINEERING (DI0824)

9.3.1.1 Programme Structure

Three years full-time qualification, min 360 credits, NQF level 6. Sixty credits are allocated to Workplace Based Learning (WBL). WBL is the last section of the qualification to be completed in Industry. Students to be placed in Industry with approved companies, monitored and assessed by university staff.

See page 83 for the curriculum.

9.3.1.2 Purpose of the Diploma in Electrical Engineering: Power Engineering

The generic purpose of the qualification is spelled out in section 4.1 and must be read in conjunction with the following.

The purpose of the qualification Diploma in Electrical Engineering: Power Engineering is to develop the necessary knowledge, understanding and skills required for the student’s further learning towards becoming a competent practicing Power Engineering Technician. It is intended to subsequently empower candidate Power Engineering Technicians to demonstrate that they can apply their acquired



knowledge, understanding, skills, attitudes and values in the work environments in South Africa. It is designed also to add value to the qualifying student in terms of enrichment of the person, status and recognition.

9.3.1.3 Admission Requirements

See section 6.2, page 18, of **6. Admission Requirements**

9.3.1.4 Career Opportunities

A successful candidate can pursue a career as a Power Engineering technician in one of the following specialisation fields: Electrical machines; generation of electricity; electrical transmission and distribution, electrical protection, alternative energy and energy management. The specialisation fields above each offer careers in design and development and maintenance.

9.3.1.5 Workplace Based Learning (WPBL)

The Diploma in Electrical Engineering: Power Engineering has a formal Workplace Based Learning (WPBL) component of 60 credits. This takes place at an accredited employer (company). A student needs to pass all the qualification required modules before applying for placement at a company to do the WPBL modules of the qualification. The student will be assisted to find suitable placement after which the student will register for the WBL modules. The student will provide progress reports at regular intervals, in co-operation with a work-based mentor, to confirm that the necessary practical outcomes are being achieved.

9.3.2 EXTENDED DIPLOMA IN ELECTRICAL ENGINEERING: POWER ENGINEERING (DE0864)

The department offers a 4-year Extended Diploma in Electrical Engineering: Power Engineering. See page 88 for more information.

The curriculum of the 4-year Extended Diploma is on page 92.

9.3.3 ADVANCED DIPLOMA IN ELECTRICAL ENGINEERING: POWER ENGINEERING (AD0824)

9.3.3.1 Admission Requirements

For admission into the Advanced Diploma: Electrical Engineering: Power Engineering (NQF level 7, min 145 credits), all applicants must have a Diploma in Electrical Engineering: Power Engineering (NQF level 6, min 360 credits) or equivalent. Apart from the prescribed qualification, a specified period of relevant post-qualification practical experience is a prerequisite for registration.

See page 95 for the curriculum.

9.3.3.2 Duration of Programme

One-year, full-time qualification.



9.3.4 MASTER OF ENGINEERING (MENG) IN ELECTRICAL ENGINEERING: POWER ENGINEERING (MP0820)

9.3.4.1 Programme Structure

At least one-year, full-time research, concluded with a Master's Dissertation.

9.3.4.2 Purpose of the MEng in Electrical Engineering: Power Engineering

The purpose of this qualification is to develop a student into a researcher, able to conduct independent research with minimum guidance in a chosen field of Electrical Engineering: Power Engineering. The outcomes of the research will contribute to knowledge production in the specialisation field. It also promotes a lifelong learning approach and an aptitude for training other students in similar fields. (Also see section 4.4).

9.3.4.3 Admission Requirements

BEng degree (Power) or equivalent.

Proof of successful completion of a Vaal University of Technology approved course in Research Methodology.

Ad hoc cases will be treated on merit.

9.3.5 DOCTOR OF ENGINEERING (DENG) IN ELECTRICAL ENGINEERING: POWER ENGINEERING (DP0820)

9.3.5.1 Programme Structure

At least two-years' full-time research, concluded with a Doctoral Thesis.

9.3.5.2 Purpose of the DEng in Electrical Engineering: Power Engineering

The purpose of the qualification is to develop a researcher who will make a significant and original contribution to knowledge in a specialised area of Electrical Engineering: Power Engineering and technology. To develop a researcher in Electrical Engineering: Power Engineering with advanced abilities, to independently apply electrical engineering design, synthesis, and related principles, to specific problems of society at large. One of the main objectives in this process is to develop an advanced capability to conduct engineering research of an original nature. It also promotes a lifelong learning approach and an aptitude for training other students in similar fields. (Also see section 4.5).

9.3.5.3 Admission Requirements

Master of Engineering in Electrical Engineering: Power Engineering. Ad hoc cases will be treated on merit.

9.3.6 ASSESSMENT

The department follows the assessment strategy of formal written exams. The year



mark is compiled from a series of not less than three tests and / or a practical mark. The year mark for admittance to the formal examination is 50%. Weights for calculating the year mark as well as the final mark will be reflected in the Learning Guide. All tests, assignments and practical work done during a particular semester, will help learners learn and understand the work.

Some modules follow the assessment strategies of Continuous Assessment (CASS). All marks obtained during the semester will make up the learner's final mark. Each module's Learning Guide will indicate which tests and activities will contribute according to a pre-determined weight, to the final mark.

9.4 ELECTRICAL ENGINEERING: PROCESS CONTROL ENGINEERING

Discipline Staff Details

See section 9.1, p 47

9.4.1 DIPLOMA ELECTRICAL ENGINEERING: PROCESS CONTROL ENGINEERING (DI0825)

9.4.1.1 Programme Structure

Offered full-time, contact classes are for a period for six semesters (three years) followed by a one-year Workplace Based Learning (WPBL) (carried out through attachment to industry) component. The student will be assisted by the university to look for suitable industry opportunities (companies) to complete the required WBL training and skills development. Due to this component this programme is likely to take longer than 3 years to complete. This programme is presented at the Vanderbijlpark campus and the exit level of the qualification is at NQF 6, min 360 credits.

See page 84 the curriculum.

9.4.1.2 Purpose of the Diploma in Electrical Engineering: Process Control Engineering

The generic purpose of the qualification is spelled out in section 4.1 and must be read in conjunction with the following: The purpose of the qualification is to develop the necessary knowledge, understanding and skills required for the student's further learning towards becoming a competent practicing Process Control Technician. A qualifying learner at this level is competent in process control and instrumentation operations, maintenance and problem solving. It is intended to subsequently empower candidate Process Control Engineering Technicians to demonstrate that they can apply their acquired knowledge, understanding, skills, attitudes and values in the process control and instrumentation work environments in South Africa. It is designed also to add value to the qualifying student in terms of enrichment of the person, status and recognition.



9.4.1.3 Admission Requirements

See section 6.2, page 18, of **6. Admission Requirements**

9.4.1.4 Course Progression Rules:

- A minimum of 60 credits must be passed in any year, before a student can enrol for a succeeding year. Only modules, for which the required pre-requisite(s) have been passed, can be enrolled for in the succeeding year.
- Students must pass all theory modules before he/she may do WPBL.

9.4.1.5 Workplace Based Learning (WBL)

The Diploma in Electrical Engineering: Process Control Engineering has a formal Workplace Based Learning (WBL) component of 60 credits. This takes place at an accredited employer (company). A student needs to pass all the qualification required modules before applying for placement at a company to do the WPBL modules of the qualification. The student will be assisted to find suitable placement after which the student will register for the WBL modules. The student will provide progress reports at regular intervals, in co-operation with a work-based mentor, to confirm that the necessary practical outcomes are being achieved.

9.4.2 EXTENDED DIPLOMA IN ELECTRICAL ENGINEERING: PROCESS CONTROL ENGINEERING (DE0865)

The department offers a 4-year Extended Diploma in Electrical Engineering: Process Control Engineering. See page 88 for more information.

The curriculum of the 4-year Extended Diploma is on page 93.

9.4.3 ADVANCED DIPLOMA IN ELECTRICAL ENGINEERING: PROCESS CONTROL ENGINEERING (AD0825)

9.4.3.1 Admission Requirements

For admission into the Advanced Diploma in Electrical Engineering: Process Control Engineering (NQF level 7, min 145 credits), all applicants must have a Diploma in Electrical Engineering: Process Control (NQF level 6, min 360 credits) or equivalent.

See page 95 for the curriculum.

9.4.3.2 Duration of Programme:

One-year, full-time qualification.

9.4.3.3 Course Progression Rule:

- Students must complete all modules.

9.4.3.4 Typical work environment for the Process Control Engineering Technologist

The environment where a Process Control Engineering technologist will function is in measurement and control of pressure, level, flow and temperature parameters. The



design, installation and maintenance of process control systems and instrumentation. Installation, commissioning and optimisation of various control systems, industrial networks, Safety Systems and Distributed Control Systems (DCS).

9.4.3.5 Career Opportunities

The computerisation of modern instrumentation and process control platforms in various industries, created a vacuum period in training of skills development for technicians in this modern industrial environment which led to a huge demand for technical skilled manpower in this field.

9.4.3.6 Career Status

The Instrument Technician can register for professional status with ECSA, the Control Board for Engineering Technicians. The South African Institute for Measurement and Control is another professional body.

9.4.4 MASTER OF ENGINEERING IN ELECTRICAL ENGINEERING: PROCESS CONTROL ENGINEERING (MP0820)

9.4.4.1 Programme Structure

At least one-year, full-time research, concluded with a Master's Dissertation. This qualification is offered at the Vanderbijlpark campus only.

9.4.4.2 Purpose of the Meng in Electrical Engineering: Process Control Engineering

The purpose of this qualification is to develop a student into a researcher, able to conduct independent research with minimum guidance in a chosen field of Electrical Engineering: Process Control Engineering. The outcomes of the research will contribute to knowledge production in the specialisation field. It also promotes a lifelong learning approach and an aptitude for training other students in similar fields. (Also see section 4.4.)

9.4.4.3 Admission Requirements

A BEng degree in Electrical Engineering: Process Control Engineering or equivalent level 8 qualification. Proof of successful completion of Vaal University of Technology approved course in Research Methodology. Ad hoc cases will be treated on merit.

9.4.5 DOCTOR OF ENGINEERING IN ELECTRICAL ENGINEERING: PROCESS CONTROL ENGINEERING (DP0820)

9.4.5.1 Programme Structure

At least two years' full-time research, concluded with a Doctoral Thesis. This qualification is offered at the Vanderbijlpark campus only.



9.4.5.2 Purpose of the Doctor of Engineering in Electrical Engineering: Process Control Engineering

The purpose of the qualification is to develop a researcher who will make a significant and original contribution to knowledge in a specialised area of electrical engineering in Process Control Engineering and related technologies. To develop a researcher in Electrical Engineering in Process Control Engineering with advanced abilities, to independently apply Electrical Engineering: Process Control Engineering industrial based designs, synthesis, and related computer systems engineering principles, to specific problems of society at large.

One of the main objectives in this process is to develop an advanced capability to conduct engineering research of an original nature. It also promotes a lifelong learning approach and an aptitude for training other students in similar fields. (See also section 4.5.)

9.4.5.3 Admission Requirements

MEng in Electrical Engineering: Process Control Engineering. Ad hoc cases will be treated on merit.

9.5 ENQUIRIES

Enquiries may be addressed to:

HoD: Electrical Engineering

Faculty of Engineering & Technology
Vaal University of Technology
Private Bag X021

VANDERBIJLPARK, 1900

Tel : +27 (0)16 950 6739/9295

Fax : +27 (0)16 950 9795

e-mail : cuthbertn@vut.ac.za
refilwem1@vut.ac.za

Website : www.vut.ac.za or

Postgraduate Office

Ms N Kokoali

Tel : +27 (0)16 950 9288

e-mail : nomathembak@vut.ac.za

Mr S Motsie

Tel : +27 (0)16 950 7639

e-mail : sehlabakam@vut.ac.za



10. DEPARTMENT OF INDUSTRIAL ENGINEERING & OPERATIONS MANAGEMENT AND MECHANICAL ENGINEERING

Head of Department and Administrator

Surname, Initials & Title	Designation	Qualification
Tengen, TB (Prof)	Head of Department	PhD
Nakedi, LA (Ms)	Administrator	PGD

10.1 INDUSTRIAL ENGINEERING AND OPERATIONS MANAGEMENT

Discipline Staff Details

Surname, Initials & Title	Designation	Qualification
Kholopane, P (Prof)	Associate Professor	PhD
Sukraj, R (Mr)	Senior Lecturer	BTech
Van Wyk, T (Ms)	Senior Lecturer	MBL, Pr Tech Eng
Budeli, L (Dr)	Lecturer	DEng
Ikome, JM, (Dr)	Lecturer	PhD
Oba, R (Dr)	Lecturer	DEng
Oyewole, GJ (Dr)	Lecturer	DEng
Adeyemi, OS (Mr)	Lecturer	MSc
Benga, EBB (Mr)	Lecturer	MTech
Gabara, T (Ms)	Lecturer	MTech
Khumalo, I (Mr)	Lecturer	MSc
Nhlabathi, GS (Mr)	Lecturer	MTech
La Grange, JJ (Mr)	Lecturer	BTech
Maditse, ME (Ms)	Lecturer	MTech
Matyatya TA (Mr)	Lecturer	MTech
Mazibuko, M (Mr)	Lecturer	MTech
Monoge, MD (Mr)	Lecturer	MTech
Sandamela, RM (Ms)	Lecturer	BTech
Tsokoane, RS (Mr)	Lecturer	MEng
Mallane, TM (Ms)	Junior Lecturer	BTech
Bakambala, TL (Mr)	Technician	BTech
Ngandu, ON (Mr)	Technician	BTech
Sivambu, JC (Mr)	Technician	BTech

10.1.1 DIPLOMA IN INDUSTRIAL ENGINEERING (DI0830)

A diploma will be issued on the completion of 36 modules, made up of five semesters of theoretical learning and one-semester Workplace-Based Learning (WBL) at an



accredited employer. The six-month period of Workplace-Based Learning is registered at the University. The WBL training is undertaken upon completion of S5 or at least 90% of all the theoretical components of the training.

The University will look for placement for students who complete ALL the theoretical components of the qualification, while students who only complete around 90% of the theoretical components will be responsible for looking for THEIR OWN placements.

10.1.1.1 Programme Structure

Three-year full-time qualification:

- Five semesters (S1 to S5) of theoretical learning at the Vaal University of Technology
- One semester (at least) of Work Integrated Learning (Industry)

Each semester of theoretical consists of approximately 15 weeks of tuition, comprising lectures, tutorials and practical work done in laboratories for some modules. During this time, the student's progress is evaluated through written tests, assignments (individual or group), practical evaluations, continuous assessments, case-based studies, documented investigation/research, presentations, projects, computer-based assessments and simulations. At the end of each semester, final examinations are written on all the work done during the semester over an approximately two (2) weeks period for those modules that were not assessed on a continuous assessment basis.

See page 85 for the curriculum.

Upon completion of the Diploma in Industrial Engineering (NQF Level 6, minimum 360 credits), the graduate meets the minimum entry requirement for admission to the Advanced Diploma in Industrial Engineering (NQF Level 7), designed to support articulation to satisfy a Professional Industrial Engineering Technologist education benchmark.

10.1.1.2 Purpose of the Diploma in Industrial Engineering

The generic purpose of the qualification is spelt out in section 4.1. It must be read in conjunction with the following: The purpose of the qualification Diploma in Industrial Engineering is to develop the necessary knowledge, understanding and skills required for the student's further learning towards becoming a competent practising Industrial Engineering Technician. It is intended to empower candidate Engineering Technicians to demonstrate that they can apply their acquired knowledge, understanding, skills, attitudes and values in the work environments in South Africa and the world. It is also designed to add value to the qualifying student in terms of enrichment of the person, status and recognition.



The main objective of this discipline is to constantly improve methods, procedures and practices within an organisation in order to increase productivity and profits. More value is added if inputs like human resources, materials, machinery and money are converted more effectively with sound management principles into products and services. Such a person continually engages in core aspects such as communication, co-operation, quality, planning, scheduling, cycle time, capacity, utilisation, economic analysis, problem-solving, materials handling, facility layout, etc. Industrial Engineering, therefore, requires persons who like working with people, who enjoy analysing and solving problems, developing solutions, gaining cooperation, motivating people and always seeking better, quicker and cheaper ways of doing things.

10.1.1.3 Admission Requirements: Diploma in Industrial Engineering

See sections 6.2.1 (p 19) and 6.3 (p 22) of **6. Admission Requirements**

10.1.1.4 Career Opportunities

There is a great need for persons who are well trained in Industrial Engineering. Job opportunities abound in all manufacturing companies and service organisations such as advisors, industrial analysts, production personnel, planning personnel and line managers. Experience has shown that people with a qualification in Industrial Engineering and a dynamic personality quickly progress to the management level or start their own business.

10.1.1.5 Work Integrated Learning

The Diploma in Industrial Engineering has a formal Work Integrated Learning component of six months. This takes place at a Vaal University of Technology accredited employer (company). The student will be placed in the industry by VUT. Registration of this WIL is the student's responsibility, and VUT staff will monitor continuous progress. In co-operation with an Industry mentor, the learner will be assessed by the mentor and VUT staff.

10.1.1.6 Progression and Pathway

Upon completion of this Diploma in Engineering in Industrial Engineering, which is at NQF Level 6 (with a minimum of 360 Credits), the graduate meets the minimum entry requirement for admission to Advanced Diploma in Industrial Engineering at NQF Level 7 (with a minimum of 120 credits and ECSA 140 Credits) designed to support articulation to satisfy an Industrial Engineering Technologist education benchmark. This Diploma provides the base for the graduate to enter training and experience toward independent practice as a candidate Industrial Engineering Technician and, once qualified, undergo registration as a Professional Industrial Engineering Technician by the Engineering Council of South Africa (ECSA). This qualification lies in a HEQSF Vocational Pathway.



10.1.2 EXTENDED DIPLOMA IN INDUSTRIAL ENGINEERING (DE0831)

The department offers a 4-year Extended Diploma in Industrial Engineering. See section 11.2 (p 88) for more information.

The curriculum of the 4-year Extended Diploma is on page 90.

10.1.2.1 Progression Rules

Students on the extended programme that fail modules can carry them over to the next semester in which those modules are offered. The timetable will probably allow for this in most cases since these students take reduced numbers of modules. This will also apply to modules that are prerequisites to follow-up modules. Modules failed during the second year of the extended programme will have to be carried over beyond the duration of the extended first year. In such cases, the HoD must determine the workload and degree of progression as per standard practice in the regular programme.

The continuation of studies policy (CoS) will apply to the extended programme as it does for all VUT programmes. Essentially, in terms of the CoS, students that have not completed their first semester modules (S1) after two attempts are academically excluded unless they successfully appeal against exclusion. Similarly, if a student has not yet completed all the S1 modules after two years on the extended programme, they will have to appeal against exclusion.

10.1.3 ADVANCED DIPLOMA IN INDUSTRIAL ENGINEERING (AD0830)

10.1.3.1 Admission Requirements

See section 6.2.2 (p 22) of **6. Admission Requirements**. All other equivalent qualifications will be treated on an ad hoc basis.

10.1.3.2 Programme Duration

The Advanced Diploma in Industrial Engineering is a minimum of a one-year, full-time course.

10.1.3.3 Programme Structure

Each semester comprises approximately 15 weeks of tuition, comprising lectures, tutorials and practical work done in laboratories for some modules. During this time, the student's progress is evaluated through written tests, assignments (individual or group), practical evaluations, continuous assessments, case-based studies, documented investigation/research, presentations, projects, computer-based assessments and simulations. At the end of each semester, final examinations are written on all the work done during the semester, over an approximately two weeks period for those modules that were not assessed on a continuous assessment basis. See page 95 for the curriculum.



This is an NQF Level 7 qualification with a minimum of 120 credits and 140 credits to meet ECSA requirements.

10.1.3.4 Progression and Pathway

Upon completion of the Advanced Diploma in Industrial Engineering (NQF Level 7, minimum 140 credits), the graduate meets the minimum entry requirement for admission to the Postgraduate Diploma in Industrial Engineering (NQF Level 8), designed to support articulation to satisfy a Professional Industrial Engineering Technologist education benchmark. This Advanced Diploma provides the base for the graduate to enter training and experience towards independent practice as a Professional Industrial Engineering Technologist and, once qualified, undergo registration as a Professional Industrial Engineering Technologist by ECSA. This qualification lies in a HEQSF Vocational Pathway.

10.1.4 POSTGRADUATE DIPLOMA IN INDUSTRIAL ENGINEERING (PG0830)

10.1.4.1 Admission Requirements

See section 6.2.3 (p 22) 22of **6. Admission Requirements**. All other equivalent qualifications will be treated on an ad hoc basis.

10.1.4.2 Programme Duration

The Postgraduate Diploma in Industrial Engineering is a minimum one-year, full-time course.

10.1.4.3 Programme Structure

Each semester consists of approximately 15 weeks of tuition, comprising lectures, tutorials and practical work done in laboratories for some modules. During this time, the student's progress is evaluated through written tests, assignments (individual or group), practical evaluations, continuous assessments, case-based studies, documented investigation/research, presentations, projects, computer-based assessments and simulations. At the end of each semester, final examinations are written on all the work done during the semester over an approximately two weeks period for those modules that were not assessed on a continuous assessment basis. See page 97 the curriculum.

This is an NQF level 8 qualification with 140 credits.

10.1.4.4 Progression and Pathway

Upon completion of the Postgraduate Diploma in Industrial Engineering (NQF Level 8, 120 credits), the graduate meets the minimum entry requirement for admission to the Master of Engineering in Industrial Engineering (NQF Level 9), designed to support articulation to satisfy a Professional Industrial Engineer education benchmark. This Postgraduate Diploma provides the base for the graduate to enter training and experience towards independent practice as a Professional Industrial



Engineer and, once qualified, undergo registration as a Professional Industrial Engineer by ECSA. This qualification lies in a HEQSF Vocational Pathway.

10.1.5 MASTER OF ENGINEERING IN INDUSTRIAL ENGINEERING: MENG (INDUSTRIAL) (MP0830)

10.1.5.1 Admission Requirements

A BEng Degree or Equivalent NQF level 8 qualification including the Postgraduate Diploma with a minimum of 60% average.

10.1.5.2 Duration of Programme

The equivalent of a minimum one-year, full-time study.

10.1.5.3 Programme Structure

This instructional programme comprises a thesis only.

10.1.5.4 What is Industrial Engineering?

The main objective of this discipline is to constantly improve methods, procedures and practices within an organisation in order to increase productivity and profits. Value is added if inputs like human resources, materials, machinery and money are converted more effectively into products and services by using sound management principles. An Industrial Engineer is continually engaged in core aspects such as communication, cooperation, quality, planning and scheduling, as well as the calculation of cycle time, capacity and utilisation. Industrial Engineers should also be competent in economic analysis, problem-solving, materials handling, facility layout etc. Industrial Engineering, therefore, requires persons who like working with people, who enjoy analysing and solving problems, developing solutions, gaining cooperation and motivating people. Industrial engineers always seek better, quicker and cheaper ways of doing things.

10.1.5.5 Job Opportunities

There is a great need for persons who are well trained in Industrial Engineering. Job opportunities as business advisors, industrial analysts, production personnel, planning personnel and line managers are available in all manufacturing companies and service organisations. Experience has shown that people with a qualification in Industrial Engineering and a dynamic personality quickly progress to the management level or start their businesses.

10.1.6 DIPLOMA IN OPERATIONS MANAGEMENT (DI0400)

A diploma will be issued after completing five semesters of theoretical learning and one semester of Operations Management Practice (Project-based).



10.1.6.1 Programme Structure

Each semester comprises approximately 15 weeks of tuition, comprising lectures, tutorials and practical work done in laboratories for some modules. During this time, the student's progress is evaluated through written tests, assignments (individual or group), practical evaluations, continuous assessments, case-based studies, documented investigation/research, presentations, projects, computer-based assessments and simulations. At the end of each semester, final examinations are written on all the work done during the semester over an approximately two-week period for those modules that were not assessed on a continuous assessment basis.

See page 78 for the curriculum.

10.1.6.2 Purpose of the Diploma in Operations Management

Suppose you are a person who likes working with people, who enjoy analysing and solving problems, developing solutions, gaining co-operation, motivating people and always seeks better, quicker and cheaper ways of doing things, in that case, this is the course for you!

Qualified persons in Operations Management are employed by manufacturing companies because this qualification is most suitable for production and operations management careers.

In Operations Management, you will specialise in production scheduling, material movement, inventory control, quality management, work simplification and productivity improvement. You will also contribute to the design and implementation of integrated systems comprising capital, plant, human resources and raw materials. Your objective will be to constantly improve methods, procedures and practices within an organisation to increase productivity and profits.

10.1.6.3 Admission Requirements

See section 6.2.1 (p 19) of **6. Admission Requirements**.

10.1.6.4 Progression and Pathway

Upon completion of the Diploma in Operations Management (NQF Level 6, minimum 360 credits), the graduate meets the minimum entry requirement for admission to the Advanced Diploma in Operations Management (NQF Level 7).

10.1.6.5 Career Opportunities

Operations Management offers a challenging and exciting career in the private sector. The expertise and skills that you will achieve find their optimum application and growth in the manufacturing industry, progressively, as Production Assistant/Production Planner, Production Scheduler/Head Planner, Production Superintendent, Production Manager and Operations Management.

People with Operations Management qualifications and experience are also well



equipped to start their own businesses.

10.1.7 ADVANCED DIPLOMA IN OPERATIONS MANAGEMENT (AD0400)

10.1.7.1 Admission Requirements

See section 6.2.2 (p 22) of **6. Admission Requirements**, or other engineering disciplines or equivalent (including National Diploma in Operations Management), with a pass in Mathematics 1. All other equivalent qualifications will be treated on an ad hoc basis.

10.1.7.2 Programme Duration

The Advanced Diploma in Operations Management is a minimum one-year, full-time course.

10.1.7.3 Programme Structure

Each semester consists of approximately 15 weeks of tuition, comprising lectures, tutorials and practical work done in laboratories for some modules. During this time, the student's progress is evaluated through written tests, assignments (individual or group), practical evaluations, continuous assessments, case-based studies, documented investigation/research, presentations, projects, computer-based assessments and simulations. At the end of each semester, final examinations are written on all the work done during the semester over an approximately two-week period for those modules that were not assessed on a continuous assessment basis. See page 93 for the curriculum.

This is an NQF Level 7 qualification with 120 credits.

10.1.7.4 Progression and Pathway

Upon completion of the Advanced Diploma in Operations Management (NQF Level 7, minimum 140 credits), the graduate meets the minimum entry requirement for admission to the Postgraduate Diploma in Operations Management (NQF Level 8).

10.1.8 POSTGRADUATE DIPLOMA IN OPERATIONS MANAGEMENT (PG0400)

10.1.8.1 Admission Requirements

See section 6.2.3 (p 22) of **6. Admission Requirements** or a Bachelor's degree, or relevant NQF level 7 qualification (120 credits). All other equivalent qualifications will be treated on an ad hoc basis.

10.1.8.2 Programme Duration

The Postgraduate Diploma in Operations Management is a minimum one-year, full-time course.

10.1.8.3 Programme Structure

Each semester consists of approximately 15 weeks of tuition, comprising lectures,



tutorials and practical work done in laboratories for some modules. During this time, the student's progress is evaluated through written tests, assignments (individual or group), practical evaluations, continuous assessments, case-based studies, documented investigation/research, presentations, projects, computer-based assessments and simulations. At the end of each semester, final examinations are written on all the work done during the semester over an approximately two-week period for those modules that were not assessed on a continuous assessment basis. See page 96 for the curriculum.

This is an NQF level 8 qualification with 140 credits.

10.1.9 WHAT IS OPERATIONS MANAGEMENT?

Suppose you are a person who likes working with people, who enjoy analysing and solving problems, developing solutions, gaining co-operation, motivating people and always seeks better, quicker and cheaper ways of doing things. In that case, this is the programme for you. Qualified persons in Operations Management are employed by both manufacturing companies as well as service organizations.

In Operations Management, you will specialize in production scheduling, material movement, inventory control, quality management, work simplification and productivity improvement. You will also contribute to the design and implementation of integrated systems comprising capital, plant, manpower and raw materials. Your objective will be to constantly improve methods, procedures and practices within an organization in order to increase productivity and profits.

10.1.10 JOB OPPORTUNITIES

Operations Management offers a challenging and exciting career in the private sector. The expertise and skills that they will progressively achieve their optimum applications and growth in the manufacturing industry as Production Assistant/Production Planner, Production Scheduler/Head Planner, Production Superintendent, Production Manager and Operations Manager. People with Operations Management qualifications and experience are also well equipped to be employed in many other industries to start their own businesses.

10.1.11 ASSESSMENT

The department follows the assessment strategy of formal written exams. The year mark is compiled from a series of no less than three assessments (tests, practicals, assignments, presentations, case studies, etc.). The year mark for admittance to the formal examination is 50%. Weights for calculating the year mark as well as the final mark will be reflected in the Learning Guide.

All assessments done during a particular semester will help learners learn and understand the work.



Faculty Prospectus 2024

Some modules follow the assessment strategies of Continuous Assessment (CASS). All marks obtained during the semester will make up the learner's final mark. Each module's Learning Guide will indicate which tests and activities will contribute according to a pre-determined weight to the final mark.



10.2 MECHANICAL ENGINEERING

Discipline Staff Details

Surname, Initials & Title	Designation	Qualification
Alugongo, AA (Prof)	Discipline Coordinator	PhD
Tartibu, L (Prof)	Associate Professor	DTech
Maube, O (Dr)	Lecturer	DEng
Tchomeni Kouejou, BX (Dr)	Lecturer	DEng
Andezai, AM (Mr)	Lecturer	BEng Mech
Aniki, AO (Mr)	Lecturer	MEng
Inyang, EE (Mr)	Lecturer	MTech
Kibonge, T (Mr)	Lecturer	BEng
Koza, VS (Mr)	Lecturer	MEng
Ladipo, TL(Mr)	Lecturer	BTech
Mafoko, MF (Mr)	Lecturer	MEng
Matshaba, MI (Mr)	Lecturer	BTech Mech
Mbatha, AJ (Mr)	Lecturer	BTech Mech
Nkgoeng, RM (Mr)	Lecturer	MPhil
Nkomo, NZ (Mr)	Lecturer	MSc, MEng Mech
Nturanabo, F (Mr)	Lecturer	MSc Eng
Odiagbe, FO (Mr)	Lecturer	BEng Mech
Olivier, AA (Mr)	Lecturer	MTech
Onyango, LO (Mr)	Lecturer	MTech
Sob, PB (Dr)	Lecturer	DTech Mech
Sozinando, DF (Mr)	Lecturer	MEng
Tshitshonu, EK (Mr)	Lecturer	BSc Hons
Tsotetsi, NE (Ms)	Lecturer	BTech
Yakeu, KH	Lecturer	BTech Mech
Ige, OE (Mr)	Technician	PhD
Mhlongo, O (Ms)	Technician	BTech
Nkosi, SM (Mr)	Technician	
Sibisi, NP (Ms)	Technician	BTech
Sigonde, CV (Ms)	Technician	BTech Mech
Kadima, J (Mr)	Lab Technician	BTech
Imasuen, W (Mr)	Lab Assistant	BTech
Tobou, T (Mr)	Lab Assistant	BTech
Greyling, M (Mr)	Workshop Assistant	Grade 12



Ntshala, I (Mr)	Artisan	N3 Technical
-----------------	---------	--------------

10.2.1 DIPLOMA IN MECHANICAL ENGINEERING (DI0841 & DI0840)

10.2.1.1 Programme Structure

Three-year full-time (six semesters S1 to S6) qualification.

Last intake of FTEN (First Time Entry) for DI0840 was in 2021 and first intake of FTEN for DI0841 is 2022. Subsequent intakes will be for DI0841 as DI0840 will be gradually phased out.

See page 87 for the curriculum of DI0841 and page 86 for DI0840.

10.2.1.2 Purpose of the Diploma in Mechanical Engineering

The generic purpose of the qualification is spelled out in section 4.1 and must be read in conjunction with the following:

The purpose of the qualification Diploma in Mechanical Engineering is to develop the necessary knowledge, understanding and skills required for the student's further learning towards becoming a competent practicing Mechanical Engineering Technician. It is intended to subsequently empower candidate Engineering Technicians to demonstrate that they are capable of applying their acquired knowledge, understanding, skills, attitudes and values in the work environments in South Africa. It is also designed to add value to the qualifying student in terms of enrichment of the person, status and recognition.

10.2.1.3 Admission Requirements: Diploma in Mechanical Engineering

See sections 6.2.1 (p 19) and 6.3 (p 22) of **6. Admission Requirements**.

10.2.1.4 Career Opportunities

A Mechanical Technician is a person in possession of at least a Diploma in Mechanical Engineering. The task of the Technician in the design field is to assist the Engineer / Technologist with the design of new products or equipment for use in industry or society.

A Technician in the maintenance field must see to it that preventive or scheduled maintenance is done on all machines to prevent interruptions in production.

The activities in Mechanical Engineering can therefore be grouped into design, maintenance, electromechanical and project work where the latter includes aspects such as planning of projects, cost control, evaluation of tenders, negotiations with contractors, control over the progress of the project, co-ordination of all the interested departments and commissioning of the completed project.

In any heavy or light manufacturing industry, e.g., the chemical industry, iron and steel manufacturing industry, mining industry, power stations, transport services, provisional and government services, etc. Technicians are much sought after and a



career in this field is lucrative and rewarding.

10.2.2 EXTENDED DIPLOMA IN MECHANICAL ENGINEERING (DE0841)

The department offers a 4-year Extended Diploma in Mechanical Engineering. See section 11.2 (p 88) for more information.

The curriculum of the 4-year Extended Diploma is on page 90.

10.2.3 ADVANCED DIPLOMA IN MECHANICAL ENGINEERING (AD0840)

10.2.3.1 Programme Structure

One-year, full-time qualification.

See page 95 for the curriculum.

10.2.3.2 Purpose of the Advanced Diploma in Mechanical Engineering

The main purpose of this educational programme design is to build the necessary knowledge, understanding, abilities and skills required for further learning towards becoming a competent practicing engineering technologist. This qualification provides:

- Preparation for careers in Mechanical Engineering at NQF level 7 (Technologist status), for achieving technical proficiency and to contribute to the economy and national development.
- The educational base required for registration as a Professional Engineering Technologist with ECSA.
- Entry to NQF level 8 programmes, e.g., bachelor's Honours and Postgraduate Diploma programmes and then proceed to Masters and Doctorate programmes.

10.2.3.3 Admission Requirements: Advanced Diploma in Mechanical Engineering

See sections 6.2.2 (p 22) of **6. Admission Requirements**, or National Diploma in Mechanical Engineering. All other equivalent qualifications will be treated on an ad hoc basis.

10.2.4 POSTGRADUATE DIPLOMA IN MECHANICAL ENGINEERING (PG0840)

10.2.4.1 Programme Structure

One-year, full-time qualification.

See page 97 the curriculum.

10.2.4.2 Purpose of the Programme

This qualification is primarily industry oriented. The knowledge emphasises general principles, application, and technology transfer. The qualification provides students with a sound knowledge base in Mechanical Engineering and the ability to apply their knowledge and skills to this particular career in professional contexts while equipping them to undertake more specialised and intensive learning. Programmes leading to



this qualification tend to have a strong professional or career focus and holders of this qualification are normally prepared to enter a specific niche in the labour market. Specifically, the purpose of educational programmes designed to meet this qualification is to build the necessary knowledge, understanding, abilities and skills required for further learning towards becoming a competent practicing engineering technologist with research and innovation abilities. This qualification provides:

1. Preparation for careers in Mechanical engineering, for achieving technical proficiency and to contribute to the economy and national development.
2. The educational base required for proceeding towards a Master's in Engineering Programme at NQF level 9 Programme.
3. An avenue for those who wish to pursue registration with ECSA in the category 'Candidate Engineer' upon acquiring additional 20 Credits, which need not be at NQF 8.

10.2.4.3 Admission Requirements: Postgraduate Diploma in Mechanical Engineering

See sections 6.2.3 (p 22) of **6. Admission Requirements**.

10.2.5 MASTER OF ENGINEERING IN MECHANICAL ENGINEERING (MP0840)

10.2.5.1 Programme Structure

At least one year of full-time research, concluded with a master's dissertation.

10.2.5.2 Purpose of the MEng (Mechanical Engineering)

The purpose of this qualification is to develop a student into a researcher, able to conduct independent research with minimum guidance in a chosen field of Mechanical Engineering. The outcomes of the research will contribute to knowledge production in the specialisation field. It also promotes a lifelong learning approach and an aptitude for training other students in similar fields. (Also see section 4.4.)

10.2.5.3 Admission Requirements

A BEng Degree or equivalent level 8 qualification including the Postgraduate Diploma. Ad hoc cases will be treated on merit.

10.2.6 DOCTOR OF ENGINEERING IN MECHANICAL ENGINEERING (DP0840)

10.2.6.1 Programme Structure

At least two years of full-time research, concluded with a Doctoral Thesis.

10.2.6.2 Purpose of the DEng in Mechanical Engineering

The purpose of the qualification is to develop a researcher who will make a significant and original contribution to knowledge in a specialised area of mechanical engineering and technology.



To develop a researcher in mechanical engineering with advanced abilities, to independently apply mechanical engineering design, synthesis, and related principles, to specific problems of society at large. One of the main objectives in this process is to develop an advanced capability to conduct engineering research of an original nature. It also promotes a lifelong learning approach and an aptitude for training other students in similar fields. (Also see section 4.5.)

10.2.6.3 Admission Requirements

Master of Engineering in Mechanical Engineering or equivalent.

Proof of successful completion of a Vaal University of Technology approved course in Research Methodology. Ad hoc cases will be treated on merit.

10.2.7 ASSESSMENT

The department follows the assessment strategy of formal written exams. The year mark is compiled from a series of not less than three tests and/or a practical mark. The year mark for admittance to the formal examination is 50%. Weights for calculating the year mark as well as the final mark will be reflected in the Learning Guide. All tests, assignments and practical work done during a particular semester will help learners learn and understand the work.

Some modules follow the assessment strategies of Continuous Assessment (CASS). All marks obtained during the semester will make up the learner's final mark. Each module's Learning Guide will indicate which tests and activities will contribute according to a pre-determined weight to the final mark.

10.2.8 WORKPLACE BASED LEARNING (WBL)

The Diploma in Mechanical Engineering has a formal six months WBL component that is coordinated by the Department of Industrial Engineering & Operations Management and Mechanical Engineering.

10.3 ENQUIRIES

Enquiries may be addressed to:

HoD: Industrial Engineering & Operations Management and Mechanical Engineering

Faculty of Engineering & Technology

Vaal University of Technology

Private Bag X021

VANDERBIJLPARK, 1900

Tel : +27 (0)16 950 9287 / 9441

Fax : +27 (0)16 950 9797



Faculty Prospectus 2024

e-mail : thomas@vut.ac.za
 lieketsengn@vut.ac.za
Website : www.vut.ac.za

Postgraduate Office

Ms N Kokoali

Tel : +27 (0)16 950 9288
e-mail : nomathembak@vut.ac.za

Mr S Motsie

Tel : +27 (0)16 950 7639
e-mail : sehlabakam@vut.ac.za



11. CURRICULA (PROGRAMME STRUCTURE)

11.1 DIPLOMA

All modules are compulsory to obtain the qualification, unless otherwise specified.

DIO400: DIPLOMA IN OPERATIONS MANAGEMENT

YEAR 1					
SEMESTER 1			SEMESTER 2		
MODULE CODE	MODULE NAME	CREDIT	MODULE CODE	MODULE NAME	CREDIT
AMMAT1A	Mathematics 1	10	EBMFY1A	Manufacturing Technology 1.2	10
ASICT1A	ICT Skills 1	10	EBOGY1A	Organisational Effectiveness 1.2	10
EBMFX1A	Manufacturing Technology 1.1	10	EBOPY1A	Operations Management 1.2 (Industrial)	10
EBOGX1A	Organisational Effectiveness 1.1	10	EBQMA1A	Quality Management 1	10
EBOPX1A	Operations Management 1.1 (Industrial)	10	EBWPY1A	Workplace Dynamics 1.2	10
EBWPX1A	Workplace Dynamics 1.1	10	HKCOY1A	Applied Communication Skills 1.2	8
HKCOX1A	Applied Communication Skills 1.1	8			
YEAR 2					
SEMESTER 1			SEMESTER 2		
BACEX1A	Costing and Estimating 1.1	10	BACEY1A	Costing and Estimating 1.2	10
EBMAX2A	Operations Management 2.1	10	EBMAT2A	Operations Management Techniques 2	10
EBOGX2A	Organisational Effectiveness 2.1	10	EBMAY2A	Operations Management 2.2	10
EBQAS2A	Quality Assurance 2	10	EBOGY2A	Organisational Effectiveness 2.2	10
EBSTX1A	Statistics 1.1	10	HKCOY2A	Applied Communication Skills 2.2	8
HKCOX2A	Applied Communication Skills 2.1	8	ELECTIVES (Select 1 from)		
ELECTIVES (Select 1 from)			AAECH2A	Engineering Chemistry 2	10
AAECH1A	Engineering Chemistry 1	10	APHYP2A	Physics 2 – Practical	5
APHYS1A	Physics 1	10	APHYT2A	Physics 2 – Theory	5
ASPRG1A	Programming 1	10	ASPRG2A	Programming 2	10
HLAWX1A	Labour Law 1.1	15	EMMAE2A	Maintenance Engineering 2	10
			EMMEN2A	Manufacturing Engineering 2	10
YEAR 3					
SEMESTER 1			SEMESTER 2 (WBL Placement)		
EBILE3A	Industrial Leadership 3	10	EBMAP1A	Operations Management Practice 1	60
EBMAT3A	Operations Management Techniques 3	10			
EBMAX3A	Operations Management 3.1	10			
EBOEG3A	Organisational Effectiveness 3	10			
EBOMG3A	Operations Management Technology 3	10			



DIO800: DIPLOMA IN CHEMICAL ENGINEERING

YEAR 1					
SEMESTER 1			SEMESTER 2		
MODULE CODE	MODULE NAME	CREDIT	MODULE CODE	MODULE NAME	CREDIT
AAECH1A	Engineering Chemistry 1	10	AAECH2A	Engineering Chemistry 2	10
AMMAT1A	Mathematics 1	10	AMMAT2A	Mathematics 2	10
APHYS1A	Physics 1	10	APHYP2A	Physics 2 – Practical	5
ASICT1A	ICT Skills 1	10	APHYT2A	Physics 2 – Theory	5
EEESK1A	Engineering Skills 1	5	EHITC1A	Introduction to Chemical Engineering 1	12
EESIN1A	Social Intelligence 1	3	EHSPA1A	Safety Principles and Law 1	5
HKCOX1A	Applied Communication Skills 1.1	8	EMEDR1A	Engineering Drawing 1	10
			HKCOY2A	Applied Communication Skills 1.2	8
YEAR 2					
SEMESTER 1			SEMESTER 2		
MODULE CODE	MODULE NAME	CREDIT	MODULE CODE	MODULE NAME	CREDIT
AAECH3A	Engineering Chemistry 3	10	EHCEL1A	Chemical Engineering Laboratory 1	12
AMMAT3A	Mathematics 3	10	EH CET2A	Chemical Eng. Thermodynamics 1	12
BHMAN1A	Management 1	10	EHCOA2A	Computing Applications 2	7
EHCP1A	Chemical Process Industries 1	12	EHHMT2A	Heat and Mass Transfer 1	12
EHMEB2A	Material and Energy Balance 2	12	EHPCO2A	Process Control 1	12
EHMPO1A	Mechanical Operation 1	12	EHPFD2A	Process Fluid Dynamics 1	12
HKCOX2A	Applied Communication Skills 2.1	8	HKCOY2A	Applied Communication Skills 2.2	8
YEAR 3					
SEMESTER 1			SEMESTER 2 (WBL Placement)		
MODULE CODE	MODULE NAME	CREDIT	MODULE CODE	MODULE NAME	CREDIT
EHATH3A	Applied Thermodynamics 2	12	EHEXL1A	Experiential Learning 1	60
EHCEL2A	Chemical Engineering Laboratory 2	12			
EH CPR3A	Chemical Process Design	12			
EHENE1A	Environmental Engineering 1	12			
EHRTE3A	Reactor Technology 1	12			
EHSEP3A	Separation Processes 1	12			



DIO810: DIPLOMA IN CIVIL ENGINEERING

YEAR 1					
SEMESTER 1			SEMESTER 2		
MODULE CODE	MODULE NAME	CREDIT	MODULE CODE	MODULE NAME	CREDIT
AAECH1A	Engineering Chemistry 1	10	AAECH2A	Engineering Chemistry 2	10
AMMAT1A	Mathematics 1	10	AMMAT2A	Mathematics 2	10
APHYS1A	Physics 1	10	APHYP2A	Physics 2 – Practical	5
ASICT1A	ICT Skills 1	10	APHYT2A	Physics 2 – Theory	5
EEESK1A	Engineering Skills 1	5	ECAME1A	Applied Mechanics 1	10
EESIN1A	Social Intelligence 1	3	ECCOA2A	Computing Applications 2	7
HKCOX1A	Applied Communication Skills 1.1	8	ECEDR1A	Engineering Drawing 1	10
			ECSPA1A	Safety Principles and Law 1	5
			HKCOY1A	Applied Communication Skills 1.2	8
YEAR 2					
SEMESTER 1			SEMESTER 2		
ECCOM1A	Construction Materials 1	5	ECCEM1A	Civil Engineering Management 1	10
ECCOS1A	Construction Methods 1	10	ECCOM2A	Construction Materials 2	5
ECEDR2A	Engineering Drawing 2	10	ECEOS2A	Elements of Structural Steel and Timber Design 2	10
ECESU1A	Engineering Surveying 1	10	ECESU2A	Engineering Surveying 2	10
ECSME1A	Soil Mechanics 1	5	ECSAN3A	Structural Analysis 3	10
ECTST2A	Theory of Structures 2	10	ECTEN1A	Transportation Engineering 1	10
EYEGE1A	Engineering Geology 1	10	ECWEN1A	Water Engineering 1	10
HKCOX2A	Applied Communication Skills 2.1	8	HKCOY2A	Applied Communication Skills 2.2	8
YEAR 3					
SEMESTER 1			SEMESTER 2 (WBL Placement)		
ECCEM2A	Civil Engineering Management 2	10	ECEXL1A	Experiential Learning 1	60
ECDOC1A	Documentation 1	10			
ECEOR3A	Elements of Reinforced Concrete Masonry Design 3	10			
ECFMC2A	Fluid Mechanics 2 (Civil)	10			
ECSAN4A	Structural Analysis 4	10			
ECSME2A	Soil Mechanics 2	10			
ECTEN2A	Transportation Engineering 2	10			



DI0822: DIPLOMA IN ELECTRICAL ENGINEERING: COMPUTER SYSTEMS ENGINEERING

YEAR 1					
SEMESTER 1			SEMESTER 2		
MODULE CODE	MODULE NAME	CREDIT	MODULE CODE	MODULE NAME	CREDIT
AMMAT1A	Mathematics 1	10	AMMAT2A	Mathematics 2	10
APHYS1A	Physics 1	10	APHYP2A	Physics 2 Practical	5
ASICT1A	ICT Skills 1	10	APHYT2A	Physics 2 Theory	5
EEESK1A	Engineering Skills 1	5	EESPA1A	Safety Principles and Law 1	5
EESIN1A	Social Intelligence 1	3	EICOA2A	Computing Applications 2	7
EPEEN1A	Electrical Engineering 1	10	EIDSY1A	Digital Systems 1	10
HKCOX1A	Applied Communication Skills 1.1	8	EPEEN2A	Electrical Engineering 2	10
			HKCOY1A	Applied Communication Skills 1.2	8
YEAR 2					
SEMESTER 1			SEMESTER 2		
EEELE1A	Electronics 1	10	EEELE2A	Electronics 2	10
EIDSY2A	Digital Systems 2	10	EIDSY3A	Digital Systems 3	10
EIENP1A	Engineering Programming 1	10	EIENP2A	Engineering Programming 2	10
EINET1A	Networks 1	10	EINET2A	Networks 2	10
EIOSY1A	Operating Systems 1	10	EIOSY2A	Operating Systems 2	10
EISEN1A	Software Engineering 1	10	EISEN2A	Software Engineering 2	10
HKCOX2A	Applied Communication Skills 2.1	8	HKCOY2A	Applied Communication Skills 2.2	8
YEAR 3					
SEMESTER 1			SEMESTER 2 (WBL Placement)		
AMMAT3A	Mathematics 3	10	EIEXC1A	Experiential Learning 1 (Computer Systems)	14
EIDSY4A	Digital Systems 4	10	EIEXC2A	Experiential Learning 2 (Computer Systems)	16
EIENP3A	Engineering Programming 3	10	EIPRC4A	Engineering Project 4	30
EINET3A	Networks 3	10			
EIOSY3A	Operating Systems 3	10			
EISEN3A	Software Engineering 3	10			



DI0823: DIPLOMA IN ELECTRICAL ENGINEERING: ELECTRONIC ENGINEERING

YEAR 1						
SEMESTER 1			SEMESTER 2			
MODULE CODE	MODULE NAME	CREDIT	MODULE CODE	MODULE NAME	CREDIT	
AMMAT1A	Mathematics 1	10	AMMAT2A	Mathematics 2	10	
APHYS1A	Physics 1	10	EEOA2A	Computing Applications 2	7	
ASICT1A	ICT Skills 1	10	EEEL1A	Electronics 1	10	
EEESK1A	Engineering Skills 1	5	EESPA1A	Safety Principles and Law 1	5	
EESIN1A	Social Intelligence 1	3	EEWPR1A	Projects 1 (WIL - Electronics)	7	
EPEEN1A	Electrical Engineering 1	10	EIDSY1A	Digital Systems 1	10	
HKCOX1A	Applied Communication Skills 1.1	8	EPEEN2A	Electrical Engineering 2	10	
			HKCOY1A	Applied Communication Skills 1.2	8	
YEAR 2						
SEMESTER 1			SEMESTER 2			
AMMAT3A	Mathematics 3	10	EEEL3A	Electronics 3	10	
EECAD1A	Electrical CAD 1	10	EEWPR3A	Projects 3 (WIL - Electronics)	8	
EEECO2A	Electronic Communication 2	10	HKCOY2A	Applied Communication Skills 2.2	8	
EEELE2A	Electronics 2	10	ELECTIVES (Select 4 from)			
EEWPR2A	Projects 2 (WIL - Electronics)	7	EECAD2A	Electrical CAD 2	10	
EIDSY2A	Digital Systems 2	10	EEDCO2A	Digital Communication 2	10	
HKCOX2A	Applied Communication Skills 2.1	8	EEMET3A	Measurement Technology 3	10	
OPTIONAL ADDITIONAL			EEPEL3A	Power Electronics 3	10	
BHMAN1A	Management 1	10	EICSY2A	Control Systems 2	10	
EIENP1A	Engineering Programming 1	10				
YEAR 3						
SEMESTER 1			SEMESTER 2 (WBL Placement)			
EEEMIC3A	Microwave Communication 3	10	EEEXL1A	Experiential Learning 1 (Electronics)	14	
EEOEL3A	Opto-Electronics 3	10	EEEXL2A	Experiential Learning 2 (Electronics)	16	
EERAD3A	Radio Engineering 3	10	EEPRJ4A	Engineering Project 4 (Electronics)	30	
EETXR3A	Transmission 3 (Radio Frequency)	10				
EEWPR4A	Projects 4 (WIL - Electronics)	8				
OPTIONAL ADDITIONAL						
EEPEL4A	Power Electronics 4	10				



DI0824: DIPLOMA IN ELECTRICAL ENGINEERING: POWER ENGINEERING

YEAR 1					
SEMESTER 1			SEMESTER 2		
MODULE CODE	MODULE NAME	CREDIT	MODULE CODE	MODULE NAME	CREDIT
AMMAT1A	Mathematics 1	10	AMMAT2A	Mathematics 2	10
APHYS1A	Physics 1	10	EEEL1A	Electronics 1	10
ASICT1A	ICT Skills 1	10	EESPA1A	Safety Principles and Law 1	5
EEESK1A	Engineering Skills 1	5	EIDSY1A	Digital Systems 1	10
EESIN1A	Social Intelligence 1	3	EPCOA2A	Computing Applications 2	7
EPEEN1A	Electrical Engineering 1	10	EPEEN2A	Electrical Engineering 2	10
HKCOX1A	Applied Communication Skills 1.1	8	HKCOY1A	Applied Communication Skills 1.2	8
YEAR 2					
SEMESTER 1			SEMESTER 2		
AMMAT3A	Mathematics 3	10	EEPEL3A	Power Electronics 3	10
EEEL2A	Electronics 2	10	EPAEN2A	Alternative Energy 2 (Power)	10
EPEEN3A	Electrical Engineering 3	10	EPEEN4A	Electrical Engineering 4	10
EPEMA2A	Electrical Machines 2	10	EPEMA3A	Electrical Machines 3	10
EPSYS2A	Power Systems 2	10	EPSYS3A	Power Systems 3	10
HKCOX2A	Applied Communication Skills 2.1	8	HKCOY2A	Applied Communication Skills 2.2	8
CHOICE MODULE*			CHOICE MODULE*		
EIDSY2A	Digital Systems 2	10	EICSY2A	Control Systems 2	10
YEAR 3					
SEMESTER 1			SEMESTER 2 (WBL Placement)		
EEPEL4A	Power Electronics 4	10	EPEXL1A	Experiential Learning 1	14
EPAEN3A	Alternative Energy 3 (Power)	10	EPEXL2A	Experiential Learning 2	16
EPEMA4A	Electrical Machines 4	10	EPPRJ4A	Engineering Project 4	30
EPEMN2A	Energy Management 2	10			
EPEPR3A	Electrical Protection 3	10			
EPTXP3A	Transmission 3 (Power)	10			
CHOICE MODULE*					
EEEL3A	Electronics 3	10			

*Choose two (2) of the choice modules.



DI0825: DIPLOMA IN ELECTRICAL ENGINEERING: PROCESS CONTROL ENGINEERING

YEAR 1						
SEMESTER 1			SEMESTER 2			
MODULE CODE	MODULE NAME	CREDIT	MODULE CODE	MODULE NAME	CREDIT	
AMMAT1A	Mathematics 1	10	AMMAT2A	Mathematics 2	10	
APHYS1A	Physics 1	10	APHYP2A	Physics 2 – Practical	5	
ASICT1A	ICT Skills 1	10	APHYT2A	Physics 2 – Theory	5	
EEESK1A	Engineering Skills 1	5	EESPA1A	Safety Principles and Law 1	5	
EESIN1A	Social Intelligence 1	3	EICOA2A	Computing Applications 2	7	
EPEEN1A	Electrical Engineering 1	10	EIDSY1A	Digital Systems 1	10	
HKCOX1A	Applied Communication Skills 1.1	8	EIPRI1A	Process Instrumentation 1	10	
			HKCOY1A	Applied Communication Skills 1.2	8	
YEAR 2						
SEMESTER 1			SEMESTER 2			
AMMAT3A	Mathematics 3	10	EEELE2A	Electronics 2	10	
EEELE1A	Electronics 1	10	EIDCS1A	Digital Control Systems 1	10	
EIENP1A	Engineering Programming 1	10	EIDSY2A	Digital Systems 2	10	
EINET1A	Networks 1	10	EIENP2A	Engineering Programming 2	10	
EIPRI2A	Process Instrumentation 2	10	EINET2A	Networks 2	10	
EPEEN2A	Electrical Engineering 2	10	EIPRI3A	Process Instrumentation 3	10	
HKCOX2A	Applied Communication Skills 2.1	8	HKCOY2A	Applied Communication Skills 2.2	8	
YEAR 3						
SEMESTER 1			SEMESTER 2 (WBL Placement)			
EEPEL3A	Power Electronics 3	10	EIEXL1A	Experiential Learning 1 (Process Control)	14	
EICSY2A	Control Systems 2	10	EIEXL2A	Experiential Learning 2 (Process Control)	16	
EIDCS2A	Digital Control Systems 2	10	EIPRJ4A	Engineering Project 4 (Process Control)	30	
EIDSY3A	Digital Systems 3	10	OPTIONAL ADDITIONAL			
EIENP3A	Engineering Programming 3	10	EIDSY4A	Digital Systems 4	10	
EINET3A	Networks 3	10				



DI0830: DIPLOMA IN INDUSTRIAL ENGINEERING

YEAR 1					
SEMESTER 1			SEMESTER 2		
MODULE CODE	MODULE NAME	CREDIT	MODULE CODE	MODULE NAME	CREDIT
AAECH1A	Engineering Chemistry 1	10	AAECH2A	Engineering Chemistry 2	10
AMMAT1A	Mathematics 1	10	AMMAT2A	Mathematics 2	10
APHYS1A	Physics 1	10	APHYP2A	Physics 2 – Practical	5
ASICT1A	ICT Skills 1	10	APHYT2A	Physics 2 – Theory	5
EEESK1A	Engineering Skills 1	5	EBCOA2A	Computing Applications 2	7
EESIN1A	Social Intelligence 1	3	EBMRE2A	Manufacturing Relations 2	10
HKCOX1A	Applied Communication Skills 1.1	8	EBSPA1A	Safety Principles and Law 1	5
			EMEDR1A	Engineering Drawing 1	10
			HKCOY1A	Applied Communication Skills I.2	8
YEAR 2					
SEMESTER 1			SEMESTER 2		
AMMAT3A	Mathematics 3	10	BACOS2A	Costing 2	10
EBEWS1A	Engineering Work Study 1	10	EBEWS2A	Engineering Work Study 2	10
EBPEN1A	Production Engineering 1	10	EBFLA2A	Facility Layout and Material Handling 2	10
EBQTE1A	Qualitative Techniques 1	10	EBPEN2A	Production Engineering 2	10
EMMEC1A	Mechanics 1	10	EBQAS2A	Quality Assurance 2	10
EMMEN1A	Manufacturing Engineering 1	10	EMMEN2A	Mechanical Manufacturing Engineering 2	10
EPEEN1A	Electrical Engineering 1	10	HKCOY2A	Applied Communication Skills 2.2	8
HKCOX2A	Applied Communication Skills 2.1	8	ELECTIVES (Select 1 from)		
			EBCAD1A	Computer-Aided Draughting 1	10
			EMMAE1A	Maintenance Engineering 1	10
			EMMED2A	Mechanical Engineering Design 2	10
			EMMOM2A	Mechanics of Machines 2	10
			EMSOM2A	Strength of Materials 2	10
			EPEEN2A	Electrical Engineering 2	10
YEAR 3					
SEMESTER 1			SEMESTER 2 (WBL Placement)		
EBAUT3A	Automation 3	10	EBWIL1A	Work Integrated Learning (Industrial)	60
EBEWS3A	Engineering Work Study 3	10			
EBIAC3A	Industrial Accounting 3	10			
EBILE3A	Industrial Leadership 3	10			
EBORE3A	Operations Research 3	10			



DIO840: DIPLOMA IN MECHANICAL ENGINEERING – BEING PHASED OUT

YEAR 1					
SEMESTER 1			SEMESTER 2		
MODULE CODE	MODULE NAME	CREDIT	MODULE CODE	MODULE NAME	CREDIT
AAECH1A	Engineering Chemistry 1	10	AAECH2A	Engineering Chemistry 2	10
AMMAT1A	Mathematics 1	10	AMMAT2A	Mathematics 2	10
APHYS1A	Physics 1	10	APHYP2A	Physics 2 (Practical)	5
ASICT1A	ICT Skills 1	10	APHYT2A	Physics 2 (Theory)	5
EEESK1A	Engineering Skills 1	5	EMCOA2A	Computing Applications 2	7
EESIN1A	Social Intelligence 1	3	EMEDR1A	Engineering Drawing 1	10
HKCOX1A	Applied Communication Skills 1.1	8	EMSPA1A	Safety Principles and Law 1	5
			HKCOY1A	Applied Communication Skills 1.2	8
YEAR 2					
SEMESTER 1			SEMESTER 2		
AMMAT3A	Mathematics 3	10	EMFMM2A	Fluid Mechanics 2	10
EMEDR2A	Engineering Drawing 2	10	EMMED2A	Mechanical Engineering Design 2	10
EMMEC1A	Mechanics 1	10	EMMOM2A	Mechanics of Machines 2	10
EMMEN1A	Mechanical Manufacturing Engineering 1	10	EMPR2A	Project 2 (WIL Mechanical)	10
EMPR1A	Project 1 (WIL Mechanical)	10	EMSOM2A	Strength of Materials 2	10
EPEEN1A	Electrical Engineering 1	10	EMTHE2A	Thermodynamics 2	10
HKCOX2A	Applied Communication Skills 2.1	8	HKCOY2A	Applied Communication Skills 2.2	8
			ELECTIVES (Select 1 from)		
			EMCA11A	Computer Aided Draughting 1	10
			EMMAE1A	Maintenance Engineering 1	10
YEAR 3					
SEMESTER 1			SEMESTER 2 (WBL Placement)		
EMFME3A	Fluid Mechanics 3	10	EMAOM3A	Applied Strength of Materials 3	10
EMMOM3A	Mechanics of Machines 3	10	EMEXM1A	Experiential Learning 1 (Mechanical)	30
EMSOM3A	Strength of Materials 3	10	EMHYM3A	Hydraulic Machines 3	10
EMTHE3A	Thermodynamics 3	10	EMPRJ3A	Project 3 (WIL Mechanical)	10
ELECTIVES (Select 1 from)			EMSPL3A	Steam Plant 3	10
EMMAE2A	Maintenance Engineering 2	10	EMTOM3A	Theory of Machines 3	10
EMMEN2A	Manufacturing Engineering 2	10	ELECTIVES (Select 1 from)		
			EMMDE3A	Machine Design 3	10
			EMMEC2A	Modelling and Engineering Computation 2	10
			EMMED3A	Mechanical Engineering Design 3	10



DI0841: DIPLOMA IN MECHANICAL ENGINEERING

YEAR 1					
SEMESTER 1			SEMESTER 2		
MODULE CODE	MODULE NAME	CREDIT	MODULE CODE	MODULE NAME	CREDIT
AAECH1A	Engineering Chemistry 1	10	AAECH2A	Engineering Chemistry 2	10
AMMAT1A	Mathematics 1	10	AMMAT2A	Mathematics 2	10
APHYS1A	Physics 1	10	APHYP2A	Physics 2 – Practical	5
ASICT1A	ICT Skills 1	10	APHYT2A	Physics 2 – Theory	5
EEESK1A	Engineering Skills 1	5	EMCOA2A	Computing Applications 2	7
EESIN1A	Social Intelligence 1	3	EMEDR1A	Engineering Drawing 1	10
HKCOX1A	Applied Communication Skills 1.1	8	EMSPA1A	Safety Principles and Law 1	5
			HKCOY1A	Applied Communication Skills 1.2	8
			ELECTIVES (Select 1 from)		
			EMCAI1A	Computer-Aided Draughting 1	10
			EMMAE1A	Maintenance Engineering 1	10
YEAR 2					
SEMESTER 1			SEMESTER 2		
AMMAT3A	Mathematics 3	10	EMFME3A	Fluid Mechanics 3	10
EMEDR2A	Engineering Drawing 2	10	EMMED2A	Mechanical Engineering Design 2	10
EMFM2A	Fluid Mechanics 2	10	EMMOM2A	Mechanics of Machines 2	10
EMMEC1A	Mechanics 1	10	EMSOM2A	Strength of Materials 2	10
EMMEN1A	Manufacturing Engineering 1	10	EMTHE3A	Thermodynamics 3	10
EMTHE2A	Thermodynamics 2	10	HKCOY2A	Applied Communication Skills 2.2	8
EPEEN1A	Electrical Engineering 1	10	ELECTIVES (Select 1 from)		
HKCOX2A	Applied Communication Skills 2.1	8	EMMAE2A	Maintenance Engineering 2	10
			EMMEN2A	Manufacturing Engineering 2	10
YEAR 3					
SEMESTER 1			SEMESTER 2 (WBL Placement)		
EMAOM3A	Applied Strength of Materials 3	10	EMWIL1A	Work Integrated Learning 1 (Mechanical)	60
EMHYM3A	Hydraulic Machines 3	10			
EMMOM3A	Mechanics of Machines 3	10			
EMSOM3A	Strength of Materials 3	10			
EMSPL3A	Steam Plant 3	10			
EMTOM3A	Theory of Machines 3	10			
ELECTIVES (Select 1 from)					
EMMDE3A	Machine Design 3	10			
EMMEC2A	Modelling and Engineering Computation 2	10			
EMMED3A	Mechanical Engineering Design 3	10			



DI0850: DIPLOMA IN METALLURGICAL ENGINEERING

YEAR 1					
SEMESTER 1			SEMESTER 2		
MODULE CODE	MODULE NAME	CREDIT	MODULE CODE	MODULE NAME	CREDIT
AAECH1A	Engineering Chemistry 1	10	AAECH2A	Engineering Chemistry 2	10
AMMAT1A	Mathematics 1	10	AMMAT2A	Mathematics 2	10
APHYS1A	Physics 1	10	APHYP2A	Physics 2 – Practical	5
ASICT1A	ICT Skills 1	10	APHYT2A	Physics 2 – Theory	5
EEESK1A	Engineering Skills 1	5	EMEDR1A	Engineering Drawing 1	10
EESIN1A	Social Intelligence 1	3	EYCOA2A	Computing Applications 2	7
HKCOX1A	Applied Communication Skills 1.1	8	EYSPA1A	Safety Principles and Law 1	5
			HKCOY1A	Applied Communication Skills 1.2	8
YEAR 2					
SEMESTER 1			SEMESTER 2		
EYEGE1A	Engineering Geology 1	10	EBQCO2A	Quality Control 2	10
EYEME1A	Extractive Metallurgy 1	10	EYHYD2A	Hydrometallurgy 2	10
EYMAM1A	Manufacturing Metallurgy 1	10	EYMAM2A	Manufacturing Metallurgy 2	10
EYMPR1A	Mineral Processing 1	10	EYMPR2A	Mineral Processing 2	10
EYPME1A	Physical Metallurgy 1	10	EYPME2A	Physical Metallurgy 2	10
EYPTH1A	Process Thermodynamics 1	10	EYPYR2A	Pyrometallurgy 2	10
HKCOX2A	Applied Communication Skills 2.1	8	HKCOY2A	Applied Communication Skills 2.2	8
YEAR 3					
SEMESTER 1			SEMESTER 2 (WBL Placement)		
BHMAN1A	Management 1	10	EYWIL1A	Work Integrated Learning 1	60
EYENC1A	Environmental Geochemistry 1	8			
EYHYD3A	Hydrometallurgy 3	10			
EYMAM3A	Manufacturing Metallurgy 3	10			
EYMPR3A	Mineral Processing 3	10			
EYPME3A	Physical Metallurgy 3	10			
EYPYR3A	Pyrometallurgy 3	10			

11.2 EXTENDED 4-YEAR DIPLOMA

The purpose of the Extended Diploma programme is to assist students who enter the University with APS score of 22/23 by giving them more time to reach the level of competency similar to those who enter with higher APS scores. The programme extends the 3-year programme into 4 years by spreading the first year of study over 2 years with the inclusion of foundational modules as well as mainstream programme modules.

The foundation modules in the first year of study will help students to improve their competency in Mathematics, Physics, Chemistry and Drawing. In the second year of study, the students will augment their foundation knowledge of Mathematics, Physics, Chemistry and Drawing to reach the level of the mainstream programme. Students are required to pass all modules in both years of the foundation phase to be able to proceed to the next year of study.

After completion of the first two years, the student will continue with year 2 and 3



of the relevant diploma programme.

All modules are compulsory, unless otherwise specified.

DE0801: DIPLOMA IN CHEMICAL ENGINEERING

YEAR 1					
SEMESTER 1			SEMESTER 2		
MODULE CODE	MODULE NAME	CREDIT	MODULE CODE	MODULE NAME	CREDIT
AAAXCH1A	Foundation Chemistry 1	10 Found	AAAXCH2A	Foundation Chemistry 2	10 Found
AMXMA1A	Foundation Mathematics 1	10 Found	AMXMA2A	Foundation Mathematics 2	10 Found
APXPH1A	Foundation Physics 1	10 Found	APXPH2A	Foundation Physics 2	10 Found
ASICT1A	ICT Skills 1	10 Regular	EHSPA1A	Safety Principles and Law 1	5 Regular
EESK1A	Engineering Skills 1	5 Regular	EMXDR1A	Foundation Drawing 1	10 Found
EESIN1A	Social Intelligence 1	3 Regular	HKCOY1A	Applied Communication Skills 1.2	8 Regular
HKCOX1A	Applied Communication Skills 1.1	8 Regular			
YEAR 2					
SEMESTER 1			SEMESTER 2		
AAECH1B	Engineering Chemistry 1	10 Regular	AAECH2A	Engineering Chemistry 2	10 Regular
AMMAT1B	Mathematics 1	10 Regular	AMMAT2A	Mathematics 2	10 Regular
APHYS1B	Physics 1	10 Regular	APHYP2A	Physics 2 (Practical)	5 Regular
EHITC1B	Intro to Chemical Engineering 1	12 Regular	APHYT2A	Physics 2 (Theory)	5 Regular
EMEDR1B	Engineering Drawing 1	10 Regular			

DE0811: DIPLOMA IN CIVIL ENGINEERING

YEAR 1					
SEMESTER 1			SEMESTER 2		
MODULE CODE	MODULE NAME	CREDIT	MODULE CODE	MODULE NAME	CREDIT
AAAXCH1A	Foundation Chemistry 1	10 Found	AAAXCH2A	Foundation Chemistry 2	10 Found
AMXMA1A	Foundation Mathematics 1	10 Found	AMXMA2A	Foundation Mathematics 2	10 Found
APXPH1A	Foundation Physics 1	10 Found	APXPH2A	Foundation Physics 2	10 Found
ASICT1A	ICT Skills 1	10 Regular	ECCOA2A	Computing Applications 2	7 Regular
EESK1A	Engineering Skills 1	5 Regular	ECSPA1A	Safety Principles and Law 1	5 Regular
EESIN1A	Social Intelligence 1	3 Regular	EMXDR1A	Foundation Drawing 1	10 Found
HKCOX1A	Applied Communication Skills 1.1	8 Regular	HKCOY1A	Applied Communication Skills 1.2	8 Regular
YEAR 2					
SEMESTER 1			SEMESTER 2		
AAECH1B	Engineering Chemistry 1	10 Regular	AAECH2A	Engineering Chemistry 2	10 Regular
AMMAT1B	Mathematics 1	10 Regular	AMMAT2A	Mathematics 2	10 Regular
APHYS1B	Physics 1	10 Regular	APHYP2A	Physics 2 (Practical)	5 Regular
EMEDR1B	Engineering Drawing 1	10 Regular	APHYT2A	Physics 2 (Theory)	5 Regular
			ECAME1B	Applied Mechanics 1	10 Regular



DE0831: DIPLOMA IN INDUSTRIAL ENGINEERING

YEAR 1					
SEMESTER 1			SEMESTER 2		
MODULE CODE	MODULE NAME	CREDIT	MODULE CODE	MODULE NAME	CREDIT
AAXCH1A	Foundation Chemistry 1	10 Found	AAXCH2A	Foundation Chemistry 2	10 Found
AMXMA1A	Foundation Mathematics 1	10 Found	AMXMA2A	Foundation Mathematics 2	10 Found
APXPH1A	Foundation Physics 1	10 Found	APXPH2A	Foundation Physics 2	10 Found
ASICT1A	ICT Skills 1	10 Regular	EBCOA2A	Computing Applications 2	7 Regular
EESK1A	Engineering Skills 1	5 Regular	EBSPA1A	Safety Principles and Law 1	5 Regular
EESIN1A	Social Intelligence 1	3 Regular	EMXDR1A	Foundation Drawing 1	10 Found
HKCOX1A	Applied Communication Skills 1.1	8 Regular	HKCOY1A	Applied Communication Skills 1.2	8 Regular
YEAR 2					
SEMESTER 1			SEMESTER 2		
AAECH1B	Engineering Chemistry 1	10 Regular	AAECH2A	Engineering Chemistry 2	10 Regular
AMMAT1B	Mathematics 1	10 Regular	AMMAT2A	Mathematics 2	10 Regular
APHYS1B	Physics 1	10 Regular	APHYP2A	Physics 2 (Practical)	5 Regular
EMMEC1B	Mechanics 1	10 Regular	APHYT2A	Physics 2 (Theory)	5 Regular
			EBMRE2A	Manufacturing Relations 2	10 Regular
			EMEDR1B	Engineering Drawing 1	10 Regular

DE0841: DIPLOMA IN MECHANICAL ENGINEERING

YEAR 1					
SEMESTER 1			SEMESTER 2		
MODULE CODE	MODULE NAME	CREDIT	MODULE CODE	MODULE NAME	CREDIT
AAXCH1A	Foundation Chemistry 1	10 Found	AAXCH2A	Foundation Chemistry 2	10 Found
AMXMA1A	Foundation Mathematics 1	10 Found	AMXMA2A	Foundation Mathematics 2	10 Found
APXPH1A	Foundation Physics 1	10 Found	APXPH2A	Foundation Physics 2	10 Found
ASICT1A	ICT Skills 1	10 Regular	EMCOA2A	Computing Applications 2	7 Regular
EESK1A	Engineering Skills 1	5 Regular	EMSPA1A	Safety Principles and Law 1	5 Regular
EESIN1A	Social Intelligence 1	3 Regular	EMXDR1A	Foundation Drawing 1	10 Found
HKCOX1A	Applied Communication Skills 1.1	8 Regular	HKCOY1A	Applied Communication Skills 1.2	8 Regular
YEAR 2					
SEMESTER 1			SEMESTER 2		
AAECH1B	Engineering Chemistry 1	10 Regular	AAECH2A	Engineering Chemistry 2	10 Regular
AMMAT1B	Mathematics 1	10 Regular	AMMAT2A	Mathematics 2	10 Regular
APHYS1B	Physics 1	10 Regular	APHYP2A	Physics 2 (Practical)	5 Regular
EMMEC1B	Mechanics 1	10 Regular	APHYT2A	Physics 2 (Theory)	5 Regular
			EMEDR1B	Engineering Drawing 1	10 Regular
			EPEEN1A	Electrical Engineering 1	10 Regular
			ELECTIVE MODULES (Select 1 from)		
			EMCAI1A	Computer-Aided Draughting 1	10 Regular
			EMMAE1A	Maintenance Engineering 1	10 Regular



DE0851: DIPLOMA IN METALLURGICAL ENGINEERING

YEAR 1					
SEMESTER 1			SEMESTER 2		
MODULE CODE	MODULE NAME	CREDIT	MODULE CODE	MODULE NAME	CREDIT
AAXCH1A	Foundation Chemistry 1	10 Found	AAXCH2A	Foundation Chemistry 2	10 Found
AMXMA1A	Foundation Mathematics 1	10 Found	AMXMA2A	Foundation Mathematics 2	10 Found
APXPH1A	Foundation Physics 1	10 Found	APXPH2A	Foundation Physics 2	10 Found
ASICT1A	ICT Skills 1	10 Regular	EMXDR1A	Foundation Drawing 1	10 Found
EEESK1A	Engineering Skills 1	5 Regular	EYCOA2A	Computing Applications 2	7 Regular
EESIN1A	Social Intelligence 1	3 Regular	EYSPA1A	Safety Principles and Law 1	5 Regular
HKCOX1A	Applied Communication Skills 1.1	8 Regular	HKCOY1A	Applied Communication Skills 1.2	8 Regular
YEAR 2					
SEMESTER 1			SEMESTER 2		
AAECH1B	Engineering Chemistry 1	10 Regular	AAECH2A	Engineering Chemistry 2	10 Regular
AMMAT1B	Mathematics 1	10 Regular	AMMAT2A	Mathematics 2	10 Regular
APHYS1B	Physics 1	10 Regular	APHYP2A	Physics 2 (Practical)	5 Regular
			APHYT2A	Physics 2 (Theory)	5 Regular
			EMEDR1B	Engineering Drawing 1	10 Regular

DE0862: DIPLOMA IN ELECTRICAL ENGINEERING: COMPUTER SYSTEMS ENGINEERING

YEAR 1					
SEMESTER 1			SEMESTER 2		
MODULE CODE	MODULE NAME	CREDIT	MODULE CODE	MODULE NAME	CREDIT
AAXCH1A	Foundation Chemistry 1	10 Found	AAXCH2A	Foundation Chemistry 2	10 Found
AMXMA1A	Foundation Mathematics 1	10 Found	AMXMA2A	Foundation Mathematics 2	10 Found
APXPH1A	Foundation Physics 1	10 Found	APXPH2A	Foundation Physics 2	10 Found
ASICT1A	ICT Skills 1	10 Regular	EESPA1A	Safety Principles and Law 1	5 Regular
EEESK1A	Engineering Skills 1	5 Regular	EICOA2A	Computing Applications 2	7 Regular
EESIN1A	Social Intelligence 1	3 Regular	HKCOY1A	Applied Communication Skills 1.2	8 Regular
HKCOX1A	Applied Communication Skills 1.1	8 Regular			
YEAR 2					
SEMESTER 1			SEMESTER 2		
AMMAT1B	Mathematics 1	10 Regular	AMMAT2A	Mathematics 2	10 Regular
APHYS1B	Physics 1	10 Regular	APHYP2A	Physics 2 (Practical)	5 Regular
EPEEN1A	Electrical Engineering 1	10 Regular	APHYT2A	Physics 2 (Theory)	5 Regular
			EIDSY1A	Digital Systems 1	10 Regular
			EPEEN2A	Electrical Engineering 2	10 Regular



DE0863: DIPLOMA IN ELECTRICAL ENGINEERING: ELECTRONIC ENGINEERING

YEAR 1					
SEMESTER 1			SEMESTER 2		
MODULE CODE	MODULE NAME	CREDIT	MODULE CODE	MODULE NAME	CREDIT
AAXCH1A	Foundation Chemistry 1	10 Found	AAXCH2A	Foundation Chemistry 2	10 Found
AMXMA1A	Foundation Mathematics 1	10 Found	AMXMA2A	Foundation Mathematics 2	10 Found
APXPH1A	Foundation Physics 1	10 Found	APXPH2A	Foundation Physics 2	10 Found
ASICT1A	ICT Skills 1	10 Regular	EEOA2A	Computing Applications 2	7 Regular
EESK1A	Engineering Skills 1	5 Regular	EESPA1A	Safety Principles and Law 1	5 Regular
EESIN1A	Social Intelligence 1	3 Regular	HKCOY1A	Applied Communication Skills 1.2	8 Regular
HKCOX1A	Applied Communication Skills 1.1	8 Regular			
YEAR 2					
SEMESTER 1			SEMESTER 2		
AMMAT1B	Mathematics 1	10 Regular	ELEE1A	Electronics 1	10 Regular
APHYS1B	Physics 1	10 Regular	EIDSY1A	Digital Systems 1	10 Regular
EPEEN1A	Electrical Engineering 1	10 Regular	EPEEN2A	Electrical Engineering 2	10 Regular

DE0864: DIPLOMA IN ELECTRICAL ENGINEERING: POWER ENGINEERING

YEAR 1					
SEMESTER 1			SEMESTER 2		
MODULE CODE	MODULE NAME	CREDIT	MODULE CODE	MODULE NAME	CREDIT
AAXCH1A	Foundation Chemistry 1	10 Found	AAXCH2A	Foundation Chemistry 2	10 Found
AMXMA1A	Foundation Mathematics 1	10 Found	AMXMA2A	Foundation Mathematics 2	10 Found
APXPH1A	Foundation Physics 1	10 Found	APXPH2A	Foundation Physics 2	10 Found
ASICT1A	ICT Skills 1	10 Regular	EEOA2A	Computing Applications 2	7 Regular
EESK1A	Engineering Skills 1	5 Regular	EESPA1A	Safety Principles and Law 1	5 Regular
EESIN1A	Social Intelligence 1	3 Regular	HKCOY1A	Applied Communication Skills 1.2	8 Regular
HKCOX1A	Applied Communication Skills 1.1	8 Regular			
YEAR 2					
SEMESTER 1			SEMESTER 2		
AMMAT1B	Mathematics 1	10 Regular	AMMAT2A	Mathematics 2	10 Regular
APHYS1B	Physics 1	10 Regular	ELEE1A	Electronics 1	10 Regular
EPEEN1A	Electrical Engineering 1	10 Regular	EIDSY1A	Digital Systems 1	10 Regular
			EPEEN2A	Electrical Engineering 2	10 Regular



DE0865: DIPLOMA IN ELECTRICAL ENGINEERING: PROCESS CONTROL

YEAR 1					
SEMESTER 1			SEMESTER 2		
MODULE CODE	MODULE NAME	CREDIT	MODULE CODE	MODULE NAME	CREDIT
AAXCH1A	Foundation Chemistry 1	10 Found	AAXCH2A	Foundation Chemistry 2	10 Found
AMXMA1A	Foundation Mathematics 1	10 Found	AMXMA2A	Foundation Mathematics 2	10 Found
APXPH1A	Foundation Physics 1	10 Found	APXPH2A	Foundation Physics 2	10 Found
ASICT1A	ICT Skills 1	10 Regular	EEOCA2A	Computing Applications 2	7 Regular
EESK1A	Engineering Skills 1	5 Regular	EESPA1A	Safety Principles and Law 1	5 Regular
EESIN1A	Social Intelligence 1	3 Regular	HKCOY1A	Applied Communication Skills 1.2	8 Regular
HKCOX1A	Applied Communication Skills 1.1	8 Regular			
YEAR 2					
SEMESTER 1			SEMESTER 2		
AMMAT1B	Mathematics 1	10 Regular	AMMAT2A	Mathematics 2	10 Regular
APHYS1B	Physics 1	10 Regular	EIDSY1A	Digital Systems 1	10 Regular
EPEEN1A	Electrical Engineering 1	10 Regular	EIPRI1A	Process Instrumentation 1	10 Regular

11.3 ADVANCED DIPLOMA

AD0400: ADVANCED DIPLOMA IN OPERATIONS MANAGEMENT

SEMESTER 1			SEMESTER 2		
MODULE CODE	MODULE NAME	CREDIT	MODULE CODE	MODULE NAME	CREDIT
EBMAS4A	Manufacturing Systems	20	EBFIM4A	Financial Management	20
EBQMA4A	Quality Management	20	EBMOM4A	Modelling in Operations Management	20
EBRMO4A	Research Methodology for Operations Management	20	ELECTIVES (Select 1 from)		
			EBSCM4A	Supply Chain Management	20
			EBWDE4A	Workplace Design	20

AD0800: ADVANCED DIPLOMA IN CHEMICAL ENGINEERING

YEAR MODULES					
MODULE CODE	MODULE NAME	CREDIT			
EHAPD4A	Advanced Process Design	30			
EHRMP4A	Research Methodology and Project	28			
SEMESTER 1			SEMESTER 2		
MODULE CODE	MODULE NAME	CREDIT	MODULE CODE	MODULE NAME	CREDIT
EHAEM4A	Advanced Engineering Mathematics	12	EHAPC4A	Advanced Process Control	12
EHARE4A	Advanced Reaction Engineering	12	EHCEL4A	Chemical Engineering Laboratory	8
EHFLM4A	Advanced Fluid Mechanics	12	EHHMY4A	Advanced Heat, Mass Transfer and Separation: Mod 2	11
EHHMX4A	Advanced Heat, Mass Transfer and Separation: Mod 1	10	EHMAN4A	Engineering Management	7



AD0810: ADVANCED DIPLOMA IN CIVIL ENGINEERING

SEMESTER 1			SEMESTER 2		
MODULE CODE	MODULE NAME	CREDIT	MODULE CODE	MODULE NAME	CREDIT
ECENS4A	Environmental Studies	10	ECBDC4A	Business Development in the Civil Engineering Environment	10
ECHE4A	Highway and Traffic Engineering	10	ECEDE4A	Earthworks Design	10
ECMAT4A	Civil Engineering Materials	10	ECMTT4A	Management Tools and Techniques	10
ECREM4A	Civil Engineering Research Methodology	15	ECRED4A	Reticulation Design	10
ECSTR4A	Structural Analysis	10	ECREP4A	Civil Engineering Research Project	15
ECWWE4A	Water and Wastewater Engineering	10	ECRWE4A	Railway Engineering	10
			ECSRD4A	Steel and Reinforced Concrete Design	10

AD0822: ADVANCED DIPLOMA IN ELECTRICAL ENGINEERING: COMPUTER SYSTEMS ENGINEERING

YEAR MODULE		
MODULE CODE	MODULE NAME	CREDIT
EIPRE4A	Electrical Engineering Project	25

SEMESTER 1			SEMESTER 2		
MODULE CODE	MODULE NAME	CREDIT	MODULE CODE	MODULE NAME	CREDIT
EIREM4A	Engineering Research Methods	15	AMAEM4A	Advanced Engineering Mathematics	15
	Elective Group A or Group B*		BHEMN4A	Engineering Management	10
				Elective Group A or Group B*	
ELECTIVES - Group A			ELECTIVES - Group A		
EEAEL4A	Electronics	20	EICNS4A	Computer Network Security	20
EIMSD4A	Micro Systems Design	20	EIWDC4A	Wireless Data Communications	20
ELECTIVES - Group B			ELECTIVES - Group B		
EIDBP4A	Database Programming	20	EIDBS4A	Database Administration	20
			EISEN4A	Software Engineering	20
			EIINT4A	Industrial Network Systems	20

*Group A and B are different specialization fields. A choice must be made between either Group A or B for the year. Group A and B cannot be changed in the 2nd Semester.

AD0823: ADVANCED DIPLOMA IN ELECTRICAL ENGINEERING: ELECTRONIC ENGINEERING

YEAR MODULE		
MODULE CODE	MODULE NAME	CREDIT
Eepro4A	Electrical Engineering Project (Electronic)	25

SEMESTER 1			SEMESTER 2		
MODULE CODE	MODULE NAME	CREDIT	MODULE CODE	MODULE NAME	CREDIT
EEREM4A	Engineering Research Methods (Electronic)	15	AMAEM4A	Advanced Engineering Mathematics	15
	Elective Group A or Group B*		BHEMN4A	Engineering Management	10
				Elective Group A or Group B*	
ELECTIVES - Group A			ELECTIVES - Group A (Select 2 from)		
EEAEL4A	Electronics	20	EEAMI4A	Microwave Engineering	20
EERAD4A	Radio Engineering	20	EEAOE4A	Opto-Electronics	20
			EESAT4A	Satellite Communication	20
ELECTIVES - Group B			ELECTIVES - Group B		
EIDSP4A	Digital Signal Processing	20	EICIA4A	Circuit Analysis	20
EISPC4A	Signal Processing	20	EIDCS4A	Digital Control Systems	20

*Group A and B are different specialization fields. A choice must be made between either Group A or B for the year. Group A and B cannot be changed in the 2nd Semester.



AD0824: ADVANCED DIPLOMA IN ELECTRICAL ENGINEERING: POWER ENGINEERING

YEAR MODULE					
MODULE CODE		MODULE NAME		CREDIT	
EPPRO4A		Electrical Engineering Project		25	
SEMESTER 1			SEMESTER 2		
MODULE CODE	MODULE NAME	CREDIT	MODULE CODE	MODULE NAME	CREDIT
EPELM4A	Electrical Machines	20	AMAEM4A	Advanced Engineering Mathematics	15
EPELP4A	Electrical Protection	20	BHEMN4A	Engineering Management	10
EPHVE4A	High Voltage Engineering	20	EEPOW4A	Power Electronics	20
EPREM4A	Engineering Research Methods	15	EPEPS4A	Electrical Power Systems	20

AD0825: ADVANCED DIPLOMA IN ELECTRICAL ENGINEERING: PROCESS CONTROL ENGINEERING

YEAR MODULE					
MODULE CODE		MODULE NAME		CREDIT	
EIPRO4A		Electrical Engineering Project		25	
SEMESTER 1			SEMESTER 2		
MODULE CODE	MODULE NAME	CREDIT	MODULE CODE	MODULE NAME	CREDIT
EIDSP4A	Digital Signal Processing	20	AMAEM4A	Advanced Engineering Mathematics	15
EIPRI4A	Process Instrumentation	20	BHEMN4A	Engineering Management	10
EIREM4A	Engineering Research Methods	15	EIDCS4A	Digital Control Systems	20
			EIINT4A	Industrial Network Systems	20

AD0830: ADVANCED DIPLOMA IN INDUSTRIAL ENGINEERING

SEMESTER 1			SEMESTER 2		
MODULE CODE	MODULE NAME	CREDIT	MODULE CODE	MODULE NAME	CREDIT
EBMPS4A	Manufacturing and Production Science	20	EBFPD4A	Facility Planning and Design	20
EBQIC4A	Quality Control and Improvement	20	EBMOS4A	Modelling and Simulation	20
EBRM4A	Research Methods and Industrial Engineering Project	20	ELECTIVES (Select 2 from):		
			EBFEE4A	Financial Engineering and Economics	20
			EBHFE4A	Human Factors and Ergonomics	20
			EBIEM4A	Industrial Engineering Management	20
			EBIKM4A	Information and Knowledge Management	20

AD0840: ADVANCED DIPLOMA IN MECHANICAL ENGINEERING

YEAR MODULE					
MODULE CODE		MODULE NAME		CREDIT	
EMRMD4A		Research Methods and Engineering Design Project		30	
SEMESTER 1			SEMESTER 2		
MODULE CODE	MODULE NAME	CREDIT	MODULE CODE	MODULE NAME	CREDIT
EMAEM4A	Applied Engineering Mathematics	15	EMHMT4A	Heat and Mass Transfer	15
EMECN4A	Engineering Economics	10	EMSMS4A	Solid Mechanics and Stress Analysis	15
EMEPR4A	Engineering Professionalism	10	EMTFM4A	Thermo-Fluids and Turbo Machinery	15
EMMTS4A	Material Science	15	EMVCE4A	Vibration and Control Engineering	15



AD0850: ADVANCED DIPLOMA IN METALLURGICAL ENGINEERING

YEAR MODULES		
MODULE CODE	MODULE NAME	CREDIT
EYHYD4A	Hydrometallurgy	20
EYMAM4A	Manufacturing Metallurgy	20
EYMIP4A	Mineral Processing	20
EYPME4A	Physical Metallurgy	20
EYPRO2A	Metallurgical Research Methods and Project	20
EYPYR4A	Pyrometallurgy	20

SEMESTER 1			SEMESTER 2		
MODULE CODE	MODULE NAME	CREDIT	MODULE CODE	MODULE NAME	CREDIT
AMMAT3A	Mathematics	10	EBQCO3A	Quality Control	10

11.4 POSTGRADUATE DIPLOMA

PG0400: POSTGRADUATE DIPLOMA IN OPERATIONS MANAGEMENT

YEAR MODULE		
MODULE CODE	MODULE NAME	CREDIT
EBOP15A	Operations Management Project Design and Implementation	30
EBOPP5A	Operations Management Project Planning and Design	30

SEMESTER 1			SEMESTER 2		
MODULE CODE	MODULE NAME	CREDIT	MODULE CODE	MODULE NAME	CREDIT
EBAMOS5A	Advanced Modelling in Operations Management	20	EBAMA5A	Advanced Manufacturing Systems	20
EBQRM5A	Quality and Reliability Management	20	ELECTIVES (Select 1 from)		
			EBAIM5A	Advanced Industrial Management	20
			EBBF15A	Business Finance	20

PG0800: POSTGRADUATE DIPLOMA IN CHEMICAL ENGINEERING

YEAR MODULE		
MODULE CODE	MODULE NAME	CREDIT
EHPRM5A	Research Project	40

SEMESTER 1			SEMESTER 2		
MODULE CODE	MODULE NAME	CREDIT	MODULE CODE	MODULE NAME	CREDIT
EHPEX5A	Environmental Engineering I (Chemical Eng)	15	EHPEY5A	Environmental Engineering II (Chemical Eng)	15
EHPDX5A	Chemical Process Design I (Chemical Eng)	15	EHPDY5A	Chemical Process Design II (Chemical Eng)	15
	Elective Group A or Group B*			Elective Group A or Group B*	
ELECTIVES - Group A (Bioprocessing)**			ELECTIVES - Group A (Bioprocessing)**		
EHBIX5A	Bioprocess Engineering I	10	EHBIY5A	Bioprocess Engineering II	10
ELECTIVES - Group B (Petroleum)**			ELECTIVES - Group B (Petroleum)**		
EHPPX5A	Petrochemical Engineering I	10	EHPPY5A	Petrochemical Engineering II	10

*Group A and B are different specialization fields. A choice must be made between either Group A or B for the year. Group A and B cannot be changed in the 2nd Semester.

**The elective group of modules to be offered will depend on admission numbers per group (Minimum of 20 students).



PG0810: POSTGRADUATE DIPLOMA IN CIVIL ENGINEERING

SEMESTER 1			SEMESTER 2		
MODULE CODE	MODULE NAME	CREDIT	MODULE CODE	MODULE NAME	CREDIT
ECEEN5A	Environmental Engineering	10	ECRPY5A	Research Project in Civil Engineering (Module 2)	25
ECGT5A	Geotechnical Engineering	20	ECST5A	Structural Engineering	20
ECPM5A	Project and Construction Management	10	ECTEN5A	Transportation Engineering	20
ECRPX5A	Research Project in Civil Engineering (Module 1)	15	ECWEN5A	Water Engineering	20

PG0830: POSTGRADUATE DIPLOMA IN INDUSTRIAL ENGINEERING

YEAR MODULES		
MODULE CODE	MODULE NAME	CREDIT
EBIP15A	Industrial Engineering Project Design and Implementation	30
EBIPP5A	Industrial Engineering Project Planning and Design	30

SEMESTER 1			SEMESTER 2		
MODULE CODE	MODULE NAME	CREDIT	MODULE CODE	MODULE NAME	CREDIT
EBAD5A	Advanced Decision Analysis	20	EBMPE5A	Manufacturing and Production Engineering	20
EBAM5A	Advanced Modelling and Simulation	20	ELECTIVES (Select 1 from)		
			EBAFD5A	Advanced Facility Design	20
			EBFEN5A	Financial Engineering	20
			EBPRE5A	Project Engineering	20

PG0840: POSTGRADUATE DIPLOMA IN MECHANICAL ENGINEERING

YEAR MODULE		
MODULE CODE	MODULE NAME	CREDIT
EMARM5A	Applied Research Methodology in Mechanical Engineering	30

SEMESTER 1			SEMESTER 2		
MODULE CODE	MODULE NAME	CREDIT	MODULE CODE	MODULE NAME	CREDIT
EMAEM5A	Advanced Engineering Mathematics	15	EMCME5A	Continuum Mechanics	15
EMEMX5A	Engineering Modelling and Simulations Module 1	15	EMEMY5A	Engineering Modelling and Simulations Module 2	15
			EMENS5A	Energy Systems	15
ELECTIVES (Select 1 from)*			ELECTIVES (Select 1 from)*		
EMICE5A	Internal Combustion Engine Analysis	8	EMPME5A	Production and Manufacturing	8
EMMAM5A	Maintenance Management	7	EMRAC5A	Refrigeration and Air-conditioning	7

*Elective: total credit of 15 required



PG0850: POSTGRADUATE DIPLOMA IN METALLURGICAL ENGINEERING

*Group A and B are different specialization fields. A choice must be made between either Group A or B for the year.

YEAR MODULES		
MODULE CODE	MODULE NAME	CREDIT
Group A (Physical Metallurgy)		
EYMAE5A	Materials Engineering	20
EYMAM5A	Manufacturing Metallurgy	20
EYMA55A	Advanced Modelling and Simulation	20
EYPME5A	Physical Metallurgy	20
EYPRO5A	Physical Metallurgy Research Project	30
Group B (Extractive Metallurgy)		
EYHYD5A	Hydrometallurgy	20
EYMA55A	Advanced Modelling and Simulation	20
EYMIP5A	Mineral Processing	20
EYPRO5A	Extractive Metallurgy Research Project	30
EYPYR5A	Pyrometallurgy	20

SEMESTER 1 – Group A & B			SEMESTER 2 – Group A & B		
MODULE CODE	MODULE NAME	CREDIT	MODULE CODE	MODULE NAME	CREDIT
EYMKR5A	Corrosion Engineering	10	EYHMT5A	Heat and Mass Transfer	10
EYPH2A	Process Thermodynamics	10			

11.5 MASTER DEGREE

MP0823: MENG: ENERGY EFFICIENCY

YEAR MODULE		
MODULE CODE	MODULE NAME	CREDIT
EERPE6A/EPRPE6A	Research Project	90

SEMESTER 1			SEMESTER 2		
MODULE CODE	MODULE NAME	CREDIT	MODULE CODE	MODULE NAME	CREDIT
EEACC6A	Energy Accounting & Economics	20	EERNE6A	Renewable Energy	25
EPPEM6A	Process Energy Management	25	EPESS6A	Electrical Systems	20



12. SYLLABI

12.1 DIPLOMA MODULES: ALPHABETICAL LIST

Course Code	Course Name
DI0400	Operations Management
DI0800	Chemical Engineering
DI0810	Civil Engineering
DI0822	Computer Systems Engineering
DI0823	Electronic Engineering
DI0824	Power Engineering
DI0825	Process Control Engineering
DI0830	Industrial Engineering
DI0840	Mechanical Engineering (Being phased out)
DI0841	Mechanical Engineering
DI0850	Metallurgical Engineering

Module Code	Module Name	Courses
AAECH1A	Engineering Chemistry 1	<i>DI0400 DI0800 DI0810 DI0830 DI0840 DI0841 DI0850</i>
Matter and measurement; Atoms; Molecules and ions; Formulas, Equations and moles; Chemical reactions in aqueous solution; Periodicity and atomic structure; Ionic bonds; Covalent bonds and molecular structure; Chemical equilibrium; Acids and bases; Organic chemistry.		
AAECH2A	Engineering Chemistry 2	<i>DI0400 DI0800 DI0810 DI0830 DI0840 DI0841 DI0850</i>
Gases, liquids and solids; Solutions and their properties; Chemical kinetics; Acid-base equilibria and Electrochemistry.		
AAECH3A	Engineering Chemistry 3	<i>DI0800</i>
Polar covalent bonds; Organic compounds – Alkanes and cyclo alkanes; Overview of organic reactions – Alkanes, Alkenes, Alkynes, Aromatic compounds. Alkyl halides; Alcohols; Ethers; Aldehydes and ketones – nucleophilic addition reactions; Carboxylic acid and derivatives; Amines.		
AMMAT1A	Mathematics 1	<i>DI0400 DI0800 DI0810 DI0822 DI0823 DI0824 DI0825 DI0830 DI0840 DI0841 DI0850</i>
Binomial expansion, radian measure and limits of functions: Binomial theorem, Radian measure. Applications of radian measure. Differentiation techniques: Limits of functions, Differentiation from first principles, Derivatives of polynomials & product rule, The quotient		



and chain rules, Derivatives of trig functions, Derivatives of exponential & log functions, Higher order derivatives, Implicit differentiation, Logarithmic differentiation, Applications. Integration techniques: Integration (Indefinite integrals), Definite integrals, Area enclosed by two curves, Simpson’s rule. Vectors: Rep & magnitude of vectors. Resolving vectors, Unit vectors and direction vectors, Scalar multiplication, addition and sub, Dot product, the angle between two vectors and work done, Determinant of a 2 x 2 matrix. Cross product and the moment of a vector. Complex numbers: Rep. of complex numbers and operations, Equality of complex numbers, Argand diagram, polar form & De Moivre’s, Calculating roots.

AMMAT2A Mathematics 2 *D10800 D10810 D10822 D10823
D10824 D10825 D10830 D10840
D10841 D10850*

Differentiation: Inverse trig functions, Hyperbolic functions, Inverse hyperbolic functions, Parametric equations, Maxima and minima, Partial differentiation, Small changes, Rate of change. Integration: Revision of integration, Use of formulae sheet, Inverse functions, Partial fractions, Partial fractions, Integration by parts, Trig. & Hyperbolic substitutions, t-formulae, Mean and RMS values. Differential Equations: Differential equation, separation, Using the integrating factor, Applications, Homogeneous differential equations. Matrix Algebra: Operations with matrices, Inverse of a matrix, solve equations using inverse, Cramer’s rule, Eigenvalues and –vectors. Probability and Statistics: Data representation, Data summaries, Normal distribution, Conf. intervals, error est. Conf. intervals, error est. Hypothesis testing.

AMMAT3A Mathematics 3 *D10800 D10822 D10823 D10824
D10825 D10830 D10840 D10841*

Application of Integration: Volumes of solids of revolution, Length of Curves, Double Integrals: Iterated Integrals & Fubini’s theorem, Double Integrals, Polar Coordinates. First Order Differentiation Equations: Exact DE, Homogeneous DE, Bernoulli DE, Applications (Excluding Newton’s Law of Cooling), D-Operator Methods. Numerical Solutions of First Order Differential Equations: Euler’s method, Runge-Kutta order 2, Runge-Kutta order 4. Operator D Methods/Undetermined coefficients: Complementary Solutions, D-operator & Inverse, binomial or long division method, Theorem 1, Theorem 2, Theorem 3, Special cases, General solution, Applications. Laplace Transforms, and Table of transforms. (Derivation from first principles not for examination purposes), First shifting property, Laplace transforms of derivatives, Inverse Laplace Transforms using tables, Laplace Transforms of discontinuous functions, Inverse Laplace Transforms of discontinuous functions, Solution of differential equations, Application to electric circuits, Application to beams. Fourier Series: Periodic functions and harmonics, sketching of graphs and determining Fourier Series, Series with period 2l, Even and Odd functions, Full range and Half range series, Numerical Harmonic Analysis.

APHYP2A Physics 2 – Practical *D10400 D10800 D10810 D10822
D10825 D10830 D10840 D10841
D10850*

Experiments are in-line with the theoretical content.
Force constant of a helical spring; Static versus dynamic method; The mass of a ruler using torque; relative density of a liquid by application of Archimedes’ Principle; The influence of



Faculty Prospectus 2024

pressure difference on flow rate; The effective capacitance of two capacitors in series and parallel; The time constant and half-life of a RC-circuit (resistor-capacitor)

APHYS1A	Physics 1	<i>D10400 D10800 D10810 D10822 D10823 D10824 D10825 D10830 D10840 D10841 D10850</i>
----------------	------------------	---

Units of measurement, Waves and sound, Principles of Linear Superposition and Interference, Electromagnetic waves, Interference and Wave nature of light, Reflection of Light: Mirrors, Refraction of Light, Lenses and optical instruments, Vectors and scalars, Kinematics in one dimension, Forces and Newton's Law of Motion, Work and Energy, Impulse and Momentum, Electric Forces and Electric Fields, Electric Potential and Potential Energy, Electric circuits, Fluids, Temperature and heat, Transfer of heat, Nuclear Physics and Radioactivity.

APHYT2A	Physics 2 – Theory	<i>D10400 D10800 D10810 D10822 D10825 D10830 D10840 D10841 D10850</i>
----------------	---------------------------	---

Projectile motion; rotational motion; simple harmonic motion and elasticity; fluids; gas behaviour; thermodynamics; current and capacitors; magnetism; nuclear physics, radioactivity and ionising radiation;

ASICT1A	ICT Skills 1	<i>D10400 D10800 D10810 D10822 D10823 D10824 D10825 D10830 D10840 D10841 D10850</i>
----------------	---------------------	---

Recognizing Computers; Using current versions of Microsoft Windows Professional; Common Elements; Microsoft Word; Microsoft Excel; Microsoft PowerPoint; Microsoft Outlook, getting connected and using the Internet.

ASPRG1A	Programming 1	<i>D10400</i>
----------------	----------------------	---------------

This module introduces the student practically to the fundamentals of programming. Aspects covered include the basics of programming techniques and principles. The sequence, selection and repetition programming structures are examined and discussed. Method creation and parameter passing are introduced.

ASPRG2A	Programming 2	<i>D10400</i>
----------------	----------------------	---------------

This module builds upon the first module and covers additional fundamentals of programming. Aspects covered include arrays, object-oriented programming, files and MDI Windows applications.

BACEX1A	Costing and Estimating 1.1	<i>D10400</i>
----------------	-----------------------------------	---------------

Elements of cost; Introduction to elementary accounts; Absorption costing; Marginal costing; Cost-volume-profit analysis; Budgeting; Profitability of new projects; Just-in-time accounting.

BACEY1A	Costing and Estimating 1.2	<i>D10400</i>
----------------	-----------------------------------	---------------

Elements of cost; Introduction to elementary accounts; Absorption costing; Marginal costing; Cost-volume-profit analysis; Budgeting; Profitability of new projects; Just-in-time accounting.



BACOS2A

Costing 2

DI0830

Elements of cost; The introduction of elementary accounts; Absorption / marginal costing; Cost-Volume-Profit analyses; Budget and Standard costing variance analysis.

BHMAN1A

Management 1

DI0800 DI0823 DI0850

Organizational structure and design, Organizational change and learning, Motivating for performance, The dynamics of leadership, Groups and teams in organizations; Operating strategies; Forecasting; Process planning and designing; Trade-off analysis; Automated processes; Allocating resources with LP; Decision trees; Facility location; Aggregate planning; Master production schedules; Inventory systems; Material requirements planning and Lot-sizing for MRP and CRP.

EBAUT3A

Automation 3

DI0830

Introduction: What is production? What is automation? What is a system? Automation considerations; Levels of automation; Jigs and fixtures and their applications; Press work and material usage; Fundamentals of manufacturing and high volume production systems; Numerical control production system; Press work processes: Features of tools: Design of progression tooling, Calculation for minimum material usage; Pneumatic and hydraulic automation of a workstation; Transfer machine; CNC machines: Types, Classification and Writing a programme; The selection of the correct level of automation (cycle time, quantity, economy and other); Laboratory project; Associated operations: Automatic feeding and orientation: Electronic detection of size, colour and proximity, Pneumatic auto-sizing; Project: Design of an automotive system; Design a workstation; Design an automated workstation or selected standard production machines or design a transfer machine for this application.

EBCAD1A

Computer-Aided Drafting 1

DI0830

Introduction to a 3D parametric software interface; Creating sections, parts, assemblies and drawings.

EBCOA2A

Computing Applications 2

DI0830

The module: Computing Applications 2, will introduce the student to the basic knowledge of the circuit simulation software Simetrix. Using ICT skills, the student will learn how to correctly use and apply Excel charts to create Engineering graphs from simulation measurement results. The knowledge obtained in this module will enable the student to apply it in other modules where circuits are involved, and simulation can be used. This module is based on blended-learning principles.

EBEWS1A

Engineering Work Study 1

DI0830

Introduction to work-study; Productivity; Choice of study method techniques; Study method (standard level); Work measurement (time study); Human factors; Ergonomics; Working conditions and environment, Jigs and fixtures (introduction) and Computer applications.

EBEWS2A

Engineering Work Study 2

DI0830

Work environment design; Value engineering; Proposed method implementation; Standard data; Formula construction; Predetermined time systems; Work sampling; Standard follow-up and times; Wage payment and Training other management practices.



Faculty Prospectus 2024

EBEWS3A Engineering Work Study 3 *D10830*

Information systems analysis and design; Performance improvement programmes; Entrepreneurship theory; Financial plan; Marketing plan and Business plan.

EBFLA2A Facility Layout and Material Handling 2 *D10830*

Introduction; Facilities in general; Elementary flow system: Material; People; Equipment and Information; Process design; Auxiliary Services; Employee services; Handling systems: Types; Design; Constructing and Evaluation; The problems with material handling: Area location; Layout evaluation and Selling the layout.

EBIAC3A Industrial Accounting 3 *D10830*

Introduction: The finance function; Financial analysis; Planning and Control. Working capital management: Working Capital; Inventory models; Credit management and Investment decisions. Capital budgeting techniques; Risk and investment return; Cost of capital and Capital structure and leverage.

EBILE3A Industrial Leadership 3 *D10400 D10830*

Managers, diversity and change; Environment competitive advantage and quality operations; International management; Managing ethics and social responsibilities; Fundamentals of planning; Strategic management; Organising; Human resource management; Leading; Motivation; Communication; Interpersonal skills; Group dynamics; Innovation and planned changes and controlling.

EBMAP1A Operations Management Practice 1 *D10400*

EBMAT2A Operations Management Techniques 2 *D10400*

Game Theory & applications; Decision analysis; Decision trees; Fundamentals of decision theory; Probability concepts and distributions; Forecasting; Inventory models; Involved formulation of decision problems; Graphical solution to linear programming problems; The simplex method; Use of computer in solving problems.

EBMAT3A Operations Management Techniques 3 *D10400*

Multi-dimensional LP; Matrix algebra; Involved LP problems; Sensitivity analysis and dual simplex algorithm; Changing the LP problem; Duality theory; Transportation and assignment models; Integer programming; Dynamic programming; Network models; Project management; Waiting lines & queuing theory; Markov analysis; Use of computer in solving problems.

EBMAX2A Operations Management 2.1 *D10400*

Management functions; Business functions; Inventory management; Master production schedule; Material requirements planning.

EBMAX3A Operations Management 3.1 *D10400*

Production planning; Production control; Quality control & quality management; Purchasing; Rating and productivity; Project management; Application of quality management; Maintenance management; Case studies; Use of computer in solving problems.



EBMAY2A	Operations Management 2.2	<i>D10400</i>
Just-in-time systems; Scheduling of operations; Quality management; Decision-making; Linear programming; transportation module; Supply chain management; Project management.		
EBMFX1A	Manufacturing Technology 1.1	<i>D10400</i>
Safety and safety legislation; Manufacturing methods, techniques and processes; Hand tools; Power tools; Marking out; Cutting tools and cutting fluids; Drilling machines; Centre Lathe; Pedestal grinder and sawing machines; Joining.		
EBMFY1A	Manufacturing Technology 1.2	<i>D10400</i>
Introduction to product development; PACE - An integrated process for product & cycle time excellence; Core team approach to project organization; Design techniques and automated development; Product strategy; Technology management; Evolution of the product development process; Implementing PACE.		
EBMRE2A	Manufacturing Relations 2	<i>D10830</i>
Introduction; Personnel and the personnel function; Job design; Analysis and evaluation; Interviewing. Human relations: Importance; Motivation theories; Organisation climate; Stress and Conflict handling. Labour relations. Labour economy: Demand and supply; Collective bargaining; Law machinery; Acknowledged agreements and Negotiations.		
EBOEG3A	Organisational Effectiveness 3	<i>D10400</i>
Information systems analysis and design; Performance improvement programs; Entrepreneurship theory; Financial plan; Marketing plan; Business plan; Computer applications; Consultation theory; Project management (review); A 6-month industrial project under supervision of an industrial mentor.		
EBOGX1A	Organisational Effectiveness 1.1	<i>D10400</i>
Introduction to Work Study; Productivity; Method study; Work measurement (time study); Human factors in work-study; Ergonomics; Working conditions and environment; Jigs and fixtures.		
EBOGX2A	Organisational Effectiveness 2.1	<i>D10400</i>
Revision of work study techniques; Compiling of operations procedures; Advanced work measurement; Application of ergonomics; Indices of production factors; Value analysis; Work environment design; Value engineering; Proposed method implementation; Standard data; Formula construction; Predetermined time systems; Work sampling; Standard follow-up time; Wage payment; Training other management practices.		
EBOGY1A	Organisational Effectiveness 1.2	<i>D10400</i>
Introduction to business logistics; Defining the logistic product; Logistic customer service; Forecasting logistics requirement; The storage and handling systems; Storage and material handling decision; Purchasing and production scheduling decision; Inventory policy decision.		
EBOGY2A	Organisational Effectiveness 2.2	<i>D10400</i>
Facilities in general; Elementary flow system: Material, People, Equipment, Information; Process design; Auxiliary services; Employee services; Handling systems: Types, Designs,		



Faculty Prospectus 2024

Constructing, Evaluation, Problems with material handling; Area location; Layout evaluation; Selling the layout.

EBOMG3A Operations Management Technology 3 *D10400*

Fundamentals of Manufacturing; Fundamentals of Systems; Fundamentals of Manufacturing Systems; Integrated Manufacturing and Management Systems; Material and Technological Information Flows in Manufacturing Systems; Product Planning and Design; Process Planning and Design; Quality Engineering; Capital Investment for Manufacturing; Principles of Computer-integrated Manufacturing (CIM); Factory Automation (FA), Computer-aided Manufacturing (CAM) and Computer-integrated Manufacturing (CIM) Systems; Fundamentals of Information Technology; Computer-based Production Management Systems; Manufacturing Strategy; Global Manufacturing; Industrial Structure and Manufacturing Efficiency; Industrial Input-Output Relations; Manufacturing Excellence for Future Production Perspectives.

EBOPX1A Operations Management 1.1 (Industrial) *D10400*

Introduction to production management; Product and service design; Application of forecasting; Facilities planning and layout; Location planning and analysis; Capacity management; Productivity, competitiveness and strategy; Process selection and capacity planning.

EBOPY1A Operations Management 1.2 (Industrial) *D10400*

Introduction to reliability-centred maintenance; Functions; Functional failure; Failure modes and effects analysis; Consequences; Proactive maintenance; Default action; Implementing reliability-centred maintenance; Applying the reliability-centred maintenance process; What reliability-centred maintenance achieves.

EBORE3A Operations Research 3 *D10830*

Introduction; Decision theory; Decisions trees; Linear programming and formulation; Transportation and network algorithms; Markov analysis; Project management; Simulation; Dynamic programming; Game theory and applications and Use of software packages.

EBPEN1A Production Engineering 1 *D10830*

Operating strategies; Forecasting; Process planning and designing; Trade-off analysis; Automated processes; Allocating resources with LP; Decision trees; Facility location; Aggregate planning; Master production schedules; Inventory systems; Material requirements planning and Lot-sizing for MRP and CRP.

EBPEN2A Production Engineering 2 *D10830*

Capacity management; Forecasting; Linear programming; Transportation algorithms; Assignment problems; Scheduling product focused; Manufacturing; Planning and scheduling service; JIT manufacturing; Activity scheduling; MRP I and MRP II; Project planning and control; Scheduling batch processing; Design and scheduling flow; Processing systems; Material and purchasing and Maintenance management and reliability.

EBQAS2A Quality Assurance 2 *D10400 D10830*

Introduction to quality; Quality improvement and cost reduction; Strategic quality management; Developing a quality culture; Designing for quality; Inspection, test and



sampling plans; Assessment of quality; Control of quality; Organisation for quality; Understanding customer needs; Manufacture; Inspection test and measurement and quality assurance.

EBQCO2A Quality Control 2 DI0850

Fundamentals of statistics; Statistical process control; Product acceptance (sampling); Quality engineering; Quality and economy and Computers and quality.

EBQMA1A Quality Management 1 DI0400

Introduction; Descriptive techniques; Probability and probability distributions; Sample selection and sampling theory; Statistical process control; Hypothesis testing; Regression analysis and Acceptance sampling.

EBQTE1A Qualitative Techniques 1 DI0830

Introduction; Descriptive techniques; Probability and probability distributions; Sample selection and sampling theory; Statistical process control; Hypothesis testing; Regression analysis and Acceptance sampling.

EBSPA1A Safety Principles and Law 1 DI0830

Importance of health and safety: What is safety and health concepts as indicated in the OHS Act, Fundamental safety concepts and terms: Fundamental safety terms, legal appointments as per the OHS Act, duties of the legal appointees as per the OHS Act, safety awareness and fire training, What is hazards and risk in the workplace: What is a hazard, what is a risk, what is the difference between a hazard and a risk, identification of main six hazards in the workplace, occupational hazards, difference between an accident and an incident: general principles of control and risk reduction, safe systems of work, permit-to-work systems, emergency procedures and first-aid, Principles of hazard and risk control: What is a risk assessment, why do a risk assessment, how to conduct a risk assessment, Risk assessment and risk management, Tools and Machinery: Tool and machine hazards, Principles of safeguarding powered and driven machines, point of operation safeguards, controls for hand toll hazards, portable power tool controls, Electrical safety: What do I need to know about electricity, what kind of injuries result from electrical current, electrical shock hazards, arc flash, control of electrical hazards, electrical safety-related work practices, Noise and vibration: Sound and noise, hearing, hazards of noise, exposure standard for noise, engineering controls for noise, noise measurement, vibrations of the human body or parts of the human body.

EBSTX1A Statistics 1.1 DI0400

Introduction to statistics; Presenting data; Measuring data; Probability; Probability distribution; Sampling distribution; Estimation; Hypothesis testing; Comparing populations; Regressions.

EBWIL1A Work Integrated Learning (Industrial) DI0830

EBWPX1A Workplace Dynamics 1.1 DI0400

Production environment; Human behaviour; Group behaviour; Communication skills; Legal aspects; Negotiation skills and the application of these skills; Performance expectations.



Faculty Prospectus 2024

EBWPY1A	Workplace Dynamics 1.2	<i>DI0400</i>
Evaluate and implement personnel administration procedures; Personnel and the personnel function; Job design, analysis and evaluation; Interviewing; Human relations; Labour.		
ECAME1A	Applied Mechanics 1	<i>DI0810</i>
Measurement, Statics, mechanics, basics of structural engineering, mass, vectors, forces, properties of sections, friction. Laboratory work.		
ECCEM1A	Civil Engineering Management 1	<i>DI0810</i>
Overview of civil engineering works; Contracts; Tendering; Office and site administration; Work study; Quality control and assurance.		
ECCEM2A	Civil Engineering Management 2	<i>DI0810</i>
Project management; Contract planning; Planning techniques; Financial planning techniques; Labour law; Pricing and cost planning; Basic computer software application.		
ECCOA2A	Computing Applications 2	<i>DI0810 DI0823</i>
See EBCOA2A		
ECCOM1A	Construction Materials 1	<i>DI0810</i>
Over view of construction materials; Aggregates; Concrete, Structural steel, Plastics, Clay products, Timber; Laboratory work.		
ECCOM2A	Construction Materials 2	<i>DI0810</i>
Overview of highway construction materials: Bitumen, Lime, Binders and Asphalt, Quality control of construction materials; Laboratory work.		
ECCOS1A	Construction Methods 1	<i>DI0810</i>
Construction plant; Safety; Construction methods: Foundations, structures; Major civil engineering structures: Roads, bridges, tunnels, dams; Drainage; Infrastructures: Harbours, airport, railways; Labour-Enhanced Construction (LEC).		
ECD0C1A	Documentation 1	<i>DI0810</i>
Quantities of civil works; specifications; Types of contracts; Conditions of contract; Compilation of tender documents; Law of contracts.		
ECEDR1A	Engineering Drawing 1	<i>DI0810</i>
Basic Drawing Principles; Design Components; Identify and use drawing equipment; Draw common objects using standardized rules; Represent given data on graph.		
ECEDR2A	Engineering Drawing 2	<i>DI0810</i>
Elements of engineering design presentation: Buildings; plans, elevations, sections. Roads; layout plan, longitudinal sections, cross sections. Hydraulic structures; pipelines, water reticulation, sewer lines and treatment plants.		
ECEOR3A	Elements of Reinforced Concrete Masonry Design 3	<i>DI0810</i>
Reinforced concrete: Design Basis, Limit –State Theory, Design of structural elements, Standard connections (SABS 0144), Rectangular beams, T-beams and L-beams, Slabs, Staircases, Flat slabs (introduction only), Columns, Cantilever type retaining walls, Foundations; Unreinforced Masonry: Design Basis, Introduction to the design of a simple wall column using empirical rules; Laboratory work and computer applications.		



ECEOS2A	Elements of Structural Steel and Timber Design 2	<i>DI0810</i>
Reinforced concrete: Limit state theory, Design of structural elements (Standard connections, Rectangular beams, T-beams and L-beams, slabs, staircases, flat slabs, Columns, foundations); Unreinforced masonry: Design basis; Laboratory work.		
ECESU1A	Engineering Surveying 1	<i>DI0810</i>
Basic principles; Coordinates (Traversing); Levelling; Tacheometry; Areas and volumes; Map projections; Practical.		
ECESU2A	Engineering Surveying 2	<i>DI0810</i>
Levelling; Traversing; Tacheometry; Setting out of Civil structures; Triangulation, Geographic information system; Practical work.		
ECEXL1A	Experiential Learning 1	<i>DI0810</i>
Giving the students work based learning experience in as many aspects related to Civil Engineering as possible. This would imply exposure to most of the topics listed below. The minimum requirement is that a student must acquire an acceptable level of proficiency in at least four (4) of the following major seven (7) categories: Administration; Drawing; Surveying; Design; Contracts; Construction supervision; Materials testing.		
ECFMC2A	Fluid Mechanics 2 (Civil)	<i>DI0810</i>
Fluid properties; Fluid statics; Fluid flow; Flow in pipes; Flow measurement; Open channel flow; Introduction to pumps.		
ECSAN3A	Structural Analysis 3	<i>DI0810</i>
Shear stress; Momentary area theorems; Influence lines for statically determinant beams and frames; Struts; Combined stresses; Laboratory work.		
ECSAN4A	Structural Analysis 4	<i>DI0810</i>
Slope deflection; Clapeyron's three moment theorem; Bending moment distribution; Plastic collapse mechanisms; Strain energy (Virtual work); Laboratory work and computer applications.		
ECSME1A	Soil Mechanics 1	<i>DI0810</i>
Engineering soils; Soil composition; Soil classification; Classification system for soils; Compactions; Laboratory work.		
ECSME2A	Soil Mechanics 2	<i>DI0810</i>
Water in soils; Measurement of shear strength: shear strength of soil, soil pressure on retaining walls, Stability of slopes, Bearing capacities of foundations, Deep foundations, Consolidation settlement; Site investigation.		
ECSPA1A	Safety Principles and Law 1	<i>DI0810</i>
See EBSPA1A		
ECTEN1A	Transportation Engineering 1	<i>DI0810</i>
Transport planning; Transport engineering; Geometric design; Railway design.		



Faculty Prospectus 2024

ECTEN2A	Transportation Engineering 2	<i>DI0810</i>
Earthworks design; Pavement materials, Asphalt and Bitumen, pavement materials; Pavement design and management; Surfacing; Drainage.		
ECTST2A	Theory of Structures 2	<i>DI0810</i>
Sectional properties; Stresses and strain: Direct stress-strain; Theory of elastic bending; Torsional stress, Stress due to impact loading; Simply supported beams and cantilevers with point loads; Uniformly distributed and uniformly varying loads; Analysis of statically determinate pin-jointed frames; Laboratory work.		
ECWEN1A	Water Engineering 1	<i>DI0810</i>
Hydrology: Hydrological cycle, Meteorology, Infiltration, Runoff, Ground water, Stormwater; Water and wastewater treatment: Water treatment, Sewerage and wastewater treatment.		
EECAD1A	Electrical CAD 1	<i>DI0823</i>
Introduction to Computer-Aided Design (CAD) concepts, EAGLE origins and current environment, project structure, file locations, creation of industry standard schematic diagrams, PCB creation, component placement and routing. The use custom libraries, output file generation for manufacture. Fusion 360. Creating new project linked and 3D parts for each EAGLE component used. The upload "push" of these updates to Fusion. Using Fusion to visualize the PCB layout as well as other parts of design.		
EECAD2A	Electrical CAD 2	<i>DI0823</i>
Develop project using advanced computer software. Connecting peripheral boards using cables and connectors. Layout of individual's development boards and peripherals. Fusion CAMUse CAM processing to 3D print designed supports, brackets, and mountings for idealized design.		
EEOA2A	Computing applications	<i>DI0823</i>
The module: Computing Applications 2, will introduce the student to the basic knowledge of the circuit simulation software Simetrix. Using ICT skills, the student will learn how to correctly use and apply Excel charts to create Engineering graphs from simulation measurement results. The knowledge obtained in this module will enable the student to apply it in other modules where circuits are involved, and simulation can be used. This module is based on blended-learning principles.		
EEDCO2A	Digital Communication 2	<i>DI0823</i>
Differentiation between analogue and digital signals, spread spectrum systems, digital modulation, noise and interference, compression and error detection and communication networks and protocols. Waveform and frequency principles: Differentiation between digital and analogue signals, calculation of typical signal level indications in terms of different decibel referencing figures. Modulation principles: Ascertain the difference between analogue and digital modulation methodologies. Spread spectrum systems: Random numbers, data scrambling and frequency hopping. Digital modulation techniques: 8PSK Modulator, 8PSK differential modulator and demodulator. Frequency and Time Division Multiplexing systems: Differentiate between FDM and TDM systems, introduction of TDMS 30/32 standards and calculations of Frame duration, Slot duration, Bit duration, Frame duration and Gross line Bit Rate. Coding systems and error detection: Introduction to ASCII		



and Huffman coding, Error detection systems and Parity check bits. Transmission standards: Serial coding standards, decoding of simple RS232 asynchronous techniques, RS 485 Standard, Introduction to ISO standards and TCP/IP model.

EEECO2A

Electronic Communication 2

DI0823

Introduction to communication: Decibels, Communication Introduction, Elements of communication systems, Time and frequency domains, Noise in communication systems, Frequency spectrum analysis concepts. Radio frequency components: RF wires, RF resistors, RF capacitor, RF inductors, RF toroidal inductors, RF toroidal inductor design, Practical winding. Resonant circuits: Definitions, Resonant lossless components, Quality factor, Insertion loss. Amplitude Modulation: Introduction, Full carrier amplitude modulation (Time domain), Full carrier amplitude modulation (Frequency domain). Angle Modulation: Introduction, Frequency modulation, Phase modulation, Angle modulation spectrum, frequency modulation and noise. Receivers: Introduction, Receiver tropology, Receiver characteristics, Demodulation. Radio wave propagation: Introduction, Electromagnetic waves, Free space propagation, Reflection refraction and diffraction, Ground wave propagation, Ionospheric propagation, Line of sight propagation, Propagation in mobile environments, other propagation modes. Antennae: Introduction, Simple antennae, Antenna characteristics, Other antennae.

EEEE1A

Electronics 1

DI0822 DI0823 DI0824 DI0825

Introduction to Electronics: The Atom, Materials Used in Electronics, Current in Semiconductors, N-Type and P-Type Semiconductors, the PN Junction. Diodes and Applications: Diode Operation, Voltage-Current (V-I) Characteristics of a diode, Diode Models, Half-Wave Rectifiers, Full-Wave Rectifiers, Power Supply Filters and Regulators, Diode Limiters and Clampers, Voltage Multipliers, The Diode Datasheet, Troubleshooting. Special- Purpose Diodes: The Zener Diode, Zener Diode Applications, The Varactor Diode, Optical Diodes, Other Types of Diodes, Troubleshooting. Bipolar Junction Transistors: BJT Structure, Basic BJT Operation, BJT Characteristics and Parameters, The BJT as an Amplifier, The BJT as a Switch, The Phototransistor, Transistor Categories and Packaging, Troubleshooting. Transistor Bias Circuits: The DC Operating Point, Voltage-Divider Bias, Other Bias Methods, Troubleshooting.

EEEE2A

Electronics 2

DI0822 DI0823 DI0824 DI0825

BJT Amplifiers: Amplifier Operation, Transistor Models, the Common-Emitter Amplifier, the Common-Collector Amplifier, the Common-Base Amplifier, Multistage Amplifiers, the Differential Amplifier. Power Amplifiers: The Class A Power Amplifier, The Class B and Class AB Push-Pull Amplifiers, The Class C Power Amplifier. Field Effect Transistors: The JFET, JFET Characteristics and Parameters, JFET Biasing, The Ohmic Region, The MOSFET, MOSFET Characteristics and Parameters, MOSFET Biasing, The IGBT. FET Amplifiers and Switching Circuits: The Common-Source Amplifier, The Common-Drain Amplifier, The Common-Gate Amplifier, The Class D Amplifier, MOSFET Analog Switching, MOSFET Digital Switching. Amplifier Frequency Response: Basic Concepts, The Decibel, Low-Frequency Amplifier Response, High- Frequency Amplifier Response, Total Amplifier Frequency Response. Thyristors: The Four-Layer Diode, The Silicon- Controlled Rectifier (SCR), SCR, Applications,



Faculty Prospectus 2024

the Diac and Triac, The Silicon-Controlled Switch (SCS), Programmable Uni-junction Transistor (PUT).

EEELE3A	Electronics 3	<i>D10823</i>
Advanced voltage regulators; Amplification theory and applications; Oscillators; Power amplifiers; Passive filter design and Noise.		

EEESK1A	Engineering Skills 1	<i>D10800 D10810 D10822 D10823</i>
		<i>D10824 D10825 D10830 D10840</i>
		<i>D10841 D10850</i>

Different types of engineering skills: Stem skills and soft skills relevant in various engineering fields. Theories on engineering and engineering professions: Different types of theories on engineering. Different kinds of engineering fields: Mechanical, electrical, civil, chemical, computer etc. The engineering team: artisans, technicians, technologists, and engineers. Engineering and the environment: social responsibility, environmental impact, natural resources, sustainability of the engineering activity. Legal and safety considerations. Engineering teamwork: Engineering design. Teamwork versus group-work. Basic principles of engineering project management (plan, organise, lead and control), project costing, budgeting, and resource management. What is a business plan? Ethics in Engineering: professional ethics, responsibility, engineering norms, ECSA and their function.

EEEXL1A	Experiential Learning 1 (Electronics)	<i>D10823</i>
Safety, company procedures, tools, components.		

EEEXL2A	Experiential Learning 2 (Electronics)	<i>D10823</i>
Measurement procedures, calibration methods and procedures, installation and commissioning procedures and methods		

EEMET3A	Measurement Technology 3	<i>D10823</i>
Definitions Measurement; Units Standards and Concepts Data analysis; Instrument selection; DC measurements; AC measurement; Signal sources; Oscilloscopes; Frequency measurement; Frequency domain instruments; Logic analysers; Null balanced instruments.		

EEMIC3A	Microwave Communication 3	<i>D10823</i>
An Overview to Microwave applications, Bandwidth, Electromagnetic microwave noise, Antenna size and reflections from Targets, Microwave interactions with materials. Stable oscillations frequencies, Microwave circuits. Circuit model of a transmission line: Wave propagation constant, Characteristic impedance Z_0 ; Physical significance of the propagation constant equations; Propagation factor and the characteristic impedance of transmission Lines; Waveform Distortions. The open two-wire line; the coaxial line; Q (Quality Factor – Goodness) of resonant lines; Quarter – wave line; Impedance measurement Using transmission Lines; The Smith chart for the transmission line; Application of Smith chart. Determination of unknown impedance; Impedance matching, Stub-matching using Smith chart, The normalized impedance and admittance Smith chart. The Normalized Z-Y Smith chart; Impedance matching networks, Waveguides: Solution of wave equation. Transverse electric mode. Transverse magnetic Mode. Power flow in rectangular waveguides. Circular waveguides. TM wave equation; TE modes in circular waveguides. Resonant cavities. Rectangular cavity. Quality factor of a Cavity. Dielectric resonators (DRs). Material properties.		



EEOEL3A Opto-Electronics 3

DI0823

Principals of Opto-Electronics, Advantages, Disadvantages, Practical Applications, Structure of Fiber, Single Mode Fiber, Multimode Fiber, Manufacturing Processes and Techniques, Plastic Optic Fiber cables, Types, Construction and Characteristics of Cables, Types of Ducted Cables, Installation Possibilities, Light Sources, Conversions, LEDs, Laser Diodes, Gain-guided and Index- guided, Conversions, Optical Receiver, Fiber Amplifiers, Connectors, Couplers, Fiber Joining, Techniques, Splicing, Local and Long-Distance Networks, Telephone Networks, Data Networks, Design Optic Fiber Cable System, Optical Path Loss Budget, Installation Techniques, Testing Optic Fiber, Test Equipment, OTDR, Lasers and Amplifiers, Fiber Cables, Transmission Systems, Industry, Military, Government, Medicine.

EEPEL3A Power Electronics 3

DI0823 DI0824 DI0825

Industrial Control Elements: The Elements of Logic Control, switches as Input Devices, Relays as Logic Devices, Solid State Logic Gates. Designing Logic Control Systems Using Relays and Solid-state devices: Classification Control System. Programmable Logic Controllers: Introducing the PLC, Input-Output Section, Input Cards, Output Cards, Input-Output Racks, Addressing Method, the processor, Input Image File (IIF), Output Image File (OIF), The User Program Memory, The Variable Data Memory, The Central Processing Unit (CPU). Programmable Logic Controllers (PLC) Instructions I: Examine-On/Off Instruction, Output-Energize instruction, Rung Definition, Decision Logic of the CPU. Programmable Logic Controllers (PLC) Instructions II: Counters, Up-Down Counters, Timers, Timer-On-Delay (TON) operation, Timer-Off-Delay (TOF) operation. Programmable Logic Controllers (PLC) Instructions III: Latch and Unlatch Instructions, Immediate Input and Output instructions, Immediate Input Instruction, Immediate Input Instruction, Master Control Reset Instruction.

EEPEL4A Power Electronics 4

DI0823 DI0824

AC drivers; DC drives; Inverters; Multilevel inverters; FACTS; Power conversion applications and Resonant conversion techniques.

EEPRJ4A Engineering Project 4 (Electronics)

DI0823

Industrial problem solving and documentation.

EERAD3A Radio Engineering 3

DI0823

Angle Modulation: Introduction to Angle Modulation; Frequency Modulation; Phase Modulation; The Angle Modulation Spectrum; FM and Noise; FM Stereo; FM Measurements. Receivers: Introduction to Receivers; Receiver Topologies; Receiver Characteristics; Demodulators; Communication Receivers; Transceivers; Receiver Measurements. Antennas: Introduction to Antennas; Simple Antennas; Antenna Characteristics; Other Simple Antennas; Antenna Matching; Antenna Arrays; Reflectors; Cellular and PCS (Personal Communication System) Antennas; Antenna Test Equipment. Cellular Radio: Introduction to Cellular Radio; Advanced Mobile Phones; AMPS Control Systems; Security and Privacy; Cellular Phones; Cell Site Equipment.



EESIN1A Social Intelligence 1

*DI0800 DI0810 DI0822 DI0823
DI0824 DI0825 DI0830 DI0840
DI0841 DI0850*

Leadership styles: Democratic, Autocratic, Consensus etc. Economic systems of governance: Capitalism, Socialism and Communism. Etiquette in society and the workplace. Soft skills, Cultural influences. Success in Engineering: Professionalism, Ethics, Responsibility, Discipline, Time management, Acquiring information and independent learning.

EESPA1A Safety Principles and Law 1

DI0822 DI0823 DI0824 DI0825

See EBSPA1A

EETXR3A Transmission 3 (Radio Frequency)

DI0823

Radio Frequency Circuits: Introduction to Radio Frequency Circuits; High-Frequency Effects; Tuned Radio-Frequency Amplifiers; Single-Tuned Class A (Transformer Coupled with Tuned Primary) Amplifiers; Single-Tuned Class A (Transformer Coupled with Tuned Secondary) Amplifiers; Double-Tuned Transformer-Coupled Amplifiers; Neutralization. Transmitters: Introduction to Transmitters; Transmitter Requirements; Transmitter Topologies; FM Transmitters; Transmitter Power Measurements. Transmission Lines: Introduction to Transmission Lines; Characteristic Impedance; Velocity Factor; Reflections; EM Propagation on Transmission Lines; Standing Waves; Variation of Impedance Along a Transmission Line; Characteristics of Open and Shorted Transmission Lines; Transmission Line Losses. Satellites & Radio Frequency Propagation: Electromagnetic waves; Free-space propagation; Mobile / portable communication; Repeaters & Cellular systems; Introduction to Satellites; Satellite Orbits; Geostationary Satellites; Application of Geostationary Satellites; Satellites in Low- and Medium Earth Orbits.

EEWPR1A Projects 1 (WIL - Electronics)

DI0823

Rules and safety principles that apply in laboratories, including relevance and adherence to the OHS act. General theory on soldering including wetting, flux, solder chemistry, soldering iron types and usage and soldering technique. Preparing, drilling, de- burring and cleaning of pre-set solder course PCB. Insert and solder components too specification. Use of high-speed drilling machines, pliers, cutters, strippers, de-soldering equipment to produce quality workmanship on own project. Design and plan circuit layout on stripboard for given circuits. Plan the cutting, linking and layout for neatness, efficiency, and reliable use. Build, test, and resolve problems for this project before presentation. Use laser toner transfer method to reproduce CAD designed image onto PCB copper. Etch using Ferric Chloride and clean surface features. Drill holes. Bend and place components before soldering. Test and calibrate circuit including resolution of faults. Install electrical board into product enclosure with heatsink attached and finalise for use and presentation.

EEWPR2A Projects 2 (WIL - Electronics)

DI0823

Introduction to microcontrollers in general and their pervasive use in industry and commercial environments. Introduction to the Arduino development board, Arduino IDE and the C programming language used for the Arduino. Possible usage scenarios using examples from hobbyists, experimenters, and professional applications. Schematic connection diagrams generated using 'Fritzing' and simulations with "SimulIDE". Multiple projects to program, simulate and execute on hardware given with time constraints.



EEWPR3A Projects 3 (WIL - Electronic)

DI0823

The Projects 3A module refers to various fundamental aspects of managing a well-defined project that would assist the student to understand how to compile a proper project scope of work report and prototype built with demonstration in an engineering field of knowledge. Projects 3 is a module used to introduce project management to the students. Basic principles of what a project is and an introduction to project management is discussed. Project work is all about solving a problem and the technology used for this module is the Arduino or ESP32 platforms. These platforms are then used to integrate with several types of sensors used in commercial and industrial processes.

Basic Project management principles include the following: The origin, scope, framework, and project report structure. This will include the identification of the various types of projects. Setting the scope of the project, planning the project scope. Designing and testing the results of the project and compiling a basic project scope of work report.

In the demonstration of the ability to do the bulk of the project work, a selection or a combination of the following tools are used:

- *Open-source electronics platform based on hardware and software:* Developing skills for prototyping. Using simple 8-bit micro-controller boards (Arduino) or products for IoT applications (ESP32). The platform used for software development is the Arduino IDE and C++ programming environment.
- *LCD character, graphic and TFT displays:* Connection any displays (LED, LCD, matric, etc.) to a microcontroller board (Arduino). This could be done using either a parallel bus using data and control lines or using the I²C serial communication protocol to show information or data on the display.
- *DC motor speed control, Servo and Stepper motors control*
- *Configure GPIO'S as; Digital inputs, outputs and analogue inputs.*
- *Serial communication platforms such as; 1-wire communication, I²C communication SPI Communication*
- *Sensors such as; Temperature sensors DHT11/12 or DS18B20, BMP180 atmospheric pressure measurement, moisture sensors, DS1307 real time clock, MQ-2 gas/smoke sensors, HC-SR04 ultrasonic sensors, Thermocouples and PT100 sensors*

EEWPR4A Projects 4 (WIL - Electronics)

DI0823

Peculiarities of a project management; Preparing yourself for doing a project; Project Planning; Project Goals; Project Schedule; Project Deliverables; Properties of a good project report; Human Resource Plan; Communications Plan; Risk Management Plan.



EHATH3A	Applied Thermodynamics 2	<i>DI0800</i>
Steam/Vapour; Steam Condensers; Boiler; Turbines and Steam Cycles; Refrigeration.		
EHCEL1A	Chemical Engineering Laboratory 1	<i>DI0800</i>
Projects such as: Batch distillation; Gas absorption with determination off mass transfer coefficient; Thin film evaporator; Vapour liquid equilibrium; Filtration; Cooling tower; Boiling/condensation; Refrigeration/heat pump; Leaching.		
EHCEL2A	Chemical Engineering Laboratory 2	<i>DI0800</i>
Projects such as: Continuous distillation; Gas absorption with determination off mass transfer coefficient; Thin film evaporator; Vapour liquid equilibrium; Filtration; Cooling tower; Boiling/condensation; Refrigeration/heat pump; Leaching.		
EH CET2A	Chemical Eng. Thermodynamics 1	<i>DI0800</i>
Introduction to thermodynamics; The first law and other basic concepts; Second Law of Thermodynamics, Volumetric behaviour of pure fluids; Heat Effect; Thermodynamics properties of fluids.		
EHCOA2A	Computing Applications 2	<i>DI0800</i>
Basic Microsoft Excel spreadsheet commands and functions; Advanced Microsoft Excel for Algebraic and Numerical computations; Data representation using tables and graphs; Introduction statistical analysis. Introduction to Computer Programming using Visual Basic for Applications in Microsoft Excel.		
EHCP1A	Chemical Process Industries 1	<i>DI0800</i>
Industrial gases and heavy chemicals, Cryogenic air separation, Ammonia manufacture, Chloro-alkali industries; Inorganic acids, Sulphuric acid, Phosphoric acid, Nitric acid, Hydrochloric acid; Coal processing, Combustion, Destructive Distillation – By product coking, Gasification and Synthol processes; Petroleum refining, Petrol and its properties, Pre-treatment of crude oil, Separation of crude oil, Conversion processes; Industrial polymers, Synthetic Rubber, Plastics; Iron and steel making processes, Iron making, Steel making.		
EH CPR3A	Chemical Process Design	<i>DI0800</i>
Computer simulation and financial assessment; Basic Cost Estimation and Economic Assessment; A simple flash calculation by hand and simulator; Material Streams: energy balances and flow sheeting on computer; Physical property data bases and predictive methods, Degrees of freedom in problem solution; Complex unit operations design; Design with recycles and application to improved design; Emphasis on operability & controllability of processes.		
EHENE1A	Environmental Engineering 1	<i>DI0800</i>
Material & Energy balances and Separations; Reactors and Reactions; Water Quality & Water Treatment; Wastewater Treatment; Air Quality and Control; Solid Waste; Hazardous Waste; Types Pollution.		
EHXL1A	Experiential Learning 1	<i>DI0800</i>
EH HMT2A	Heat and Mass Transfer 1	<i>DI0800</i>
Different modes of heat transfer: conduction, convection radiation. Heat transfer by conduction- Fourier's law; Resistance of heat flow; derivation and application of equation		



for resistance in series and parallel. Heat transfer by convection-concept of the film; evaluation of individual film coefficients, derivation and application of the convection equation; definition and application of the overall heat transfer coefficient using mean area and mean temperature difference. Heat transfer by radiation-definition of the term blackbody absorptivity and emissivity; definition and application of the Stefan-Boltzmann law. Basic principle of mass transfer, molecular diffusion (mass diffusion in gas phase, mass diffusion in liquid phase, mass diffusion through solid)

EHTC1A Introduction to Chemical Engineering 1 *D10800*

Dimensions, Units and their Conversion; Mole's density and concentration; Pressure and barometric measurements; Introduction to material balances; Closed and open systems; Batch and continuous processes; Solving material balance problems for single and multiple units without reactions; Chemical reaction equation and stoichiometry.

EHMEB2A Material and Energy Balance 2 *D10800*

Basic material balances on single units and on multiple systems; Chemical reaction equation and stoichiometry; Material balances for processes involving chemical reactions; Recycle; Bypass and Purge; Recycle and purge for processes involving chemical reactions; Heat balances without chemical reactions and heat balances involving chemical reactions.

EHMOP1A Mechanical Operation 1 *D10800*

Particulate solids; Screening; Transportation and storage of solids; Comminution (Size Reduction); Size reduction equipment; Separation based on properties; Mixing; Froth Flotation.

EHPCO2A Process Control 1 *D10800*

Control of chemical processes: Incentive of chemical process control, Design aspects of a process control system, Control modes (P, PI, PD, PID). Analysis and Design of advanced control systems: Introduction to feedback control, Control systems with multiple loops, Split range control, feed forward control, Ration control, Adaptive control, Inferential control, Design of control systems for Multivariable processes. Introduction to plant control. Modelling the dynamic and static behaviour of chemical processes: Development of a mathematical model, Modelling considerations for control purpose. Instrumentation: P&ID (Piping and Instrumentation Diagrams), Temperature measurement, Pressure measurement, Flow measurement, Level measurement.

EHPFD2A Process Fluid Dynamics 1 *D10800*

Units and Dimensions, System of units, Dimensional analysis, Scale-up methods; Fluid Statics, Hydrostatics, Pressure and pressure measurement devices; General Conservation Laws, Mass, momentum and energy relationships; Fluid Dynamics (general principles in fluid flow), Laminar & turbulence flow, Newtonian & non-Newtonian fluids and viscosity, Friction in pipes, Piping and pumping, piping auxiliaries, valves and 3D sigma, Non-crcullum conduits, Flow measuring devices.

EHRTE3A Reactor Technology 1 *D10800*

Reactor Mole Balance and definitions, Batch Reactor, Continuous Stirred Tank Reactor (CSTR), Plug Flow Reactor (PFR), Packed Bad Reactor, Semi-batch Reactor; Reaction Kinetics, Order of reactions, Type of reactions; Elementary and non-Elementary reactions, Reaction



Faculty Prospectus 2024

stoichiometry: development of stoichiometry table; Reactor design, Application to Batch reactor, Application to CSTR, Application to PFR; Data analysis, Application of integral method of analysis.

EHSEP3A Separation Processes 1 DI0800

Introduction to processes separations; Distillation (binary system); Absorption; Evaporation; Drying; Crystallization.

EHSPA1A Safety Principles and Law 1 DI0800

See EBSPA1A

EICOA2A Computing Applications 2 DI0822 DI0825

Introduction: steps of program development, program design methodology, basic input, processing and output, introducing algorithms and pseudo code. Constants, Variables, and Arithmetic Operators: meaningful names, defining the problem, designing the algorithm, pseudo code, general integer division and modulus operators. Scope of variables: data types, variable naming, declarations and assignments, scope of variables. Modularization: steps of modularization, procedures, functions and passing variables. Selection structures: arithmetic operators, comparison operators, logic operators, messages, simple compound and nested structures, case structures. Repetition structures: counters and accumulators, do-while structure, for-loop, nested structures. Arrays: One dimensional arrays, defining arrays, saving displaying and searching arrays, multidimensional arrays.

EICSY2A Control Systems 2 DI0823 DI0824 DI0825

Mathematical Foundation: Basic control system concepts, open- loop and closed-loop system, Block Diagrams: Block diagram terminologies, Block diagram reduction rules, Modelling: Derive the differential equation of RLC circuits, Stability: Define the stability criteria of control systems, Time Domain Analysis: Define Test signals and their transfer functions, Derive the steady state error for unity feedback system, Frequency Domain Analysis: Define frequency domain analysis of linear control systems.

EIDCS1A Digital Control Systems 1 DI0825

Introduction to Networks: Introduction, Analogue Communication Systems, Instrumentation and Control Systems, Digital Communication Systems, Serial and Parallel Communication, Classifying Communication. Communication Mediums: Optical Fibers for Data Transmission, Radio/Wireless Communication, and Wireless Ethernet. Communication Protocols: Introduction, Packet-Switching vs Circuit-Switching, Data transfer path - ISO/OSI 7-layer model, Ethernet, Ethernet & the 7-layer ISO/OSI model, and transmission control protocol/internet protocol (TCP/IP). Industrial Networks or Field buses: Introduction, Industrial applications, Predecessors of the modern Fieldbus, Digital Communication Plus 4 - 20 mA, Highway Addressable Remote Transmitter (HART), Operation of HART, Modbus for Factory Automation, Current Fieldbus Standards, Fieldbus. Profinet: Introduction, Redundant Profibus/Ethernet, and Profisafe. Foundation Fieldbus: Introduction, H1 Level, Foundation Fieldbus H1 Level Topology, Foundation Fieldbus Model, Producer/Consumer Model (Publish/Subscribe), Standard Function Blocks in FF Devices. Devicenet & Controlnet: History and development of Devicenet, Topology and Connectors, Connections, Installation rules, Power Supplies, Potential Power Supply Problems, Bus Operation, Data Structure.



Interbus & AS-I Bus: Interbus Protocol Efficiency, Interbus Shift Registers, Interbus System Performance, Interbus Sub-Buses, Redundancy with Interbus, The Actuator-Sensor Interface (AS-I BUS), AS-I Physical Layer.

EIDCS2A Digital Control Systems 2 DI0825

HART: network topologies, communication modes, protocol stack, Benefits of HART communication, Installation and intrinsic safety barriers, Wireless-HART. MODBUS: network topologies, network physical media and wiring, registers, Query-response messaging, Application of Modbus serial and exceptional responses. Modbus –TCP, Interoperability of variants. FOUNDATION FIELDBUS: basics, protocol stack and physical media, Operation of the LAS in FF, Application layer, application, function blocks and scheduling. PROFIBUS: Profibus physical media and termination, Fieldbus Data-link layer; addressing and arbitration, Profibus slave redundancy and MBP wiring verification. PROFINET: Devices and device classes, Physical media and Profinet-IO topologies, Data-link layer. CAN, DEVICENET and CAN_OPEN: Physical layer in CAN, CAN data-link layer, DeviceNet, protocols, networks, communication and hardware, CAN-Open.

EIDSY1A Digital Systems 1 DI0822 DI0823 DI0824 DI0825

Digital and Analogue Quantities: Binary Digits, Logic Levels, Digital Waveforms Basic Logic Functions. Number Systems, Operations and Codes: Decimal Numbers, Binary Numbers, Decimal-to- Binary Conversion, Binary Arithmetic, Compliments of Binary Numbers, Signed Numbers, Arithmetic Operations with Signed Numbers, Hexadecimal Numbers, Octal Numbers, Binary Coded Decimal (BCD), Digital Codes, Error Codes. Logic Gates: The inverter, The AND gate, The OR gate, The NAND gate, The NOR gate and the Exclusive-OR and Exclusive-NOR gate, Fixed- Function Logic Gates. Boolean Algebra and Logic Simplifications: Boolean Operations and Expressions, Laws and Rules of Boolean Algebra, DeMorgan's Theorems, Boolean Analysis of Logic Circuits, Logic Simplifications using Boolean Algebra, Standard Forms of Boolean Expressions, Boolean Expressions and Truth Tables, The Karnaugh Map, Karnaugh Map SOP Minimization, Karnaugh Map POS Minimization. Combinational Logic Analysis: Basic Combinational Logic Circuits, Implementing Combinational Logic, The Universal Property of NAND and NOR gates, Combinational Logic using NAND and NOR gates, Pulse Waveform Operation. Functions of Combinational Logic: Half and Full Adders, Parallel Binary Adders, Ripple Carry and Look-Ahead Carry Adders, Comparators, Decoders, Encoders, Code Converters, Multiplexers (Data Selectors), Demultiplexers, Parity Generators/Checkers.

EIDSY2A Digital Systems 2 DI0822 DI0823 DI0824 DI0825

Latches Flip-Flops and Timers: Latches, Flip-Flops, Flip-Flop Operating Characteristics, Flip-Flop Applications, One-Shots, the a-stable multi-vibrator. Shift Registers: Shift Register Operation, Types of Shift Register, Bidirectional Shift Registers, Shift Register Counters, Shift Register Applications. Counters: Finite State Machines, Asynchronous Counter Operation, Synchronous Counter Operation, Up/Down Synchronous Counters, Design of Synchronous Counters, Cascaded Counters, Counter Decoding, Counter Applications. Data Storage: Semiconductor Memory Basics, The Random-Access Memory (RAM), Read-Only Memory (ROM), Programmable Rom, The Flash Memory, Memory Expansion, Special Types of Memories, Magnetic and Optical Storage, Memory Hierarchy, Cloud Storage. Signal Conver



sion and Processing: Analogue-to-Digital Conversion, Methods of analogue-to-Digital Conversion, Methods of Digital -to- analogue Conversion, Digital Signal Processing, The Digital Signal Processor (DSP).

EIDSY3A Digital Systems 3

DI0822 DI0825

The 8051 Microcontroller: The discussion of the role of microcontrollers in everyday life, criteria for choosing microcontroller and various members of the 8051-microcontroller family. 8051 Assembly programming: The listing and discussion of 8051 registers, assemble and run 8051 programme, discuss RAM memory space allocation in 8051 and understand the RISC and CISC architecture. Jump, Loop and Call Instructions: Code 8051 Assembly language instructions using loops, conditional and unconditional jump instructions and subroutines. Calculates the target address for jump instructions, describe precaution in using stack in subroutines and discuss crystal frequency VS machine cycle in 8051. I/O Port Programming: List four I/O ports of the 8051, explain the role of each port, code Assembly language to use ports as input and output, instruction for handling I/O and code I/O bit manipulation programs. 8051 Addressing Modes: List and explain the five addressing modes of the 8051 microcontroller, stack manipulation using direct addressing mode and accessing RAM, I/O and ports using bit addressing. Arithmetic Logic Instructions and Programs: Define the range of numbers possible in 8051 unsigned numbers data, code addition, subtraction, multiplications and divisions for unsigned numbers. Code logic instructions AND, OR, XOR and use logic instruction for bit manipulation. Use compare and jump for program control. Compare and contrast packed and unpacked BCD data. Code programs for ASCII and BCD conversion. 8051 Programming in C: Code C programs for time delay and I/O operations and BIT manipulation. Code C programs logic and arithmetic operations, ASCII and BCD conversions, and binary (hex) to decimal conversion.

EIDSY4A Digital Systems 4

DI0822 DI0825

8051 Timer Programming in C, Programming 8051 Timers, Counter Programming, Programming Timers 0 and 1 in 8051 C. 8051 Serial Port PROGRAMMING in C, Basic Serial Communication, 8051 connection to RS232, 8051 serial port programming in C. Interrupt Programming in C, 8051 Interrupts, Programming Timer interrupts, Programming External Hardware interrupts, Programming the Serial Communication interrupt, Interrupt Priority in 8051/8052, Interrupt Programming in C. LCD and Keyboard interfacing, LCD Interfacing, Keyboard interfacing, ADC, DAC and Sensor interfacing, Parallel and serial ADC, DAC interfacing, Sensor interfacing and signal conditioning. Relay, Opto-isolator and Stepper motor, Relay and Opto-Isolator, Stepper Motor interfacing. DC Motor Control and PWM, DC Motor interfacing and PWM SPI and I2C Protocols, SPI BUS Protocol, I2C BUS Protocol.

EIENP1A Engineering Programming 1

DI0822 DI0823 DI0825

Introduction to programming: different languages, first program, integer variables, numbers and operators, characters, flow control, input and output. Advanced Flow Control and Data Aggregates: if and else, more types, loops, Boolean algebra, vectors, initiators: simple arrays, multidimensional arrays, structures and why we need them. Extending Expressive Power: pointers, functions and memory. Accessing Different kinds of Data: arrays of pointers, conversions, strings, and namespaces. Object Programming Essentials: basic concepts, a class, static components, and objects vs pointers inside objects. Inheritance: class hierarchy,



inheritance and type compatibility, polymorphism and virtual methods, objects as parameters and dynamic casting, various supplements, constant keyword. Exceptions: to errors in human, throw statement, categorizing exceptions, catching exceptions. Operators and Enumerated types: overloading operators, enumerated types.

EIENP2A Engineering Programming 2 *DI0822 DI0825*

The Analysis Model of a system: selection of an appropriate model. Iterative System Build: Select and Prepare a use case for design and/or code; Use Case Design; Perform Class Design; Code and Unit Test a use case using the build tools as defined in the Architecture document; Integrate and test: the use case with all other use cases in the build. Principles of Database Design: The Logical Data model is transformed into a physical Data Base.

EIENP3A Engineering Programming 3 *DI0822 DI0825*

A Senior Level Certified Object Orientated Programming Course selected out of the mainstream Object Orientated Courses such as CPS - C++ Certified Senior Programmer or The Equivalent Certified Java Course or the equivalent C Programming course such as CLS - C Certified Senior Programmer Certificate or an appropriate level web-based development course, depending on the programming demands of Software Engineering Project. Sample Curriculum for CPS - C++ Certified Senior Programmer.

EIEXC1A Experiential Learning 1 (Computer Systems) *DI0822*

EIEXC2A Experiential Learning 2 (Computer Systems) *DI0822*

EIEXL1A Experiential Learning 1 (Process Control) *DI0825*

EIEXL2A Experiential Learning 2 (Process Control) *DI0825*

EINET1A Networks 1 *DI0822 DI0825*

Introduction – Exploring the Network: Global Connectivity, Networking Today, LANs, WANs, and the Internet, Components of a Network, The Network as a data communications platform, The changing Network Environment. Configuring a Network Operating System: The IOS, Basic Configurations, Network Addressing Schemes. Network Protocols and Communications: The Rules of Communications, Protocols and Standards, How Data moves in a Network. Network Access: Physical layer Protocols, Network Media, Data Link Layer Protocols, Media Access Control. Ethernet: Ethernet Protocol, Address Resolution Protocol, LAN Switches Network Layer: Network Layer Protocols, Routing Principles, what is a Router, Configuring Routers. IP Addressing: IPV4 and IPV6 Addressing, Connectivity, ICMP. Sub netting IP Networks: Sub netting of IPV4 Networks, Addressing Schemes, Structured Design, Design Considerations for IPV6. Transport Layer: Transport layer Protocols, TCP and UDP Characteristics and Operation. Application layer: Application layer Protocols, Well-known Application Layer Protocols and Services, HTTP, DHCP, DNS, SMTP etc. Build a Small Network: Network Design, Network Security, Network performance, Troubleshooting.

EINET2A Networks 2 *DI0822 DI0825*

Routing Concepts: Configuration, Decisions, Operation. Static Routing: Implementation, Configuration of Static and Default Routes, Summary and Floating Static Routes, Troubleshooting Static and Default Rotes. Routing Dynamically: Dynamic Routing Protocols, Distance Vector Routing, RIP and RIPvng, The Routing Table. Switched Networks: LAN Design,



The Switched Environment, General Concepts of Switching, Switching Configuration: Configuration, Security, Management and Implementation. VLANs: Segmentation, VLAN Implementation, Trunks, Inter-VLAN Routing, Troubleshooting, Access Control Lists: IP ACL Operation, Standard and Extended ACLs for IPv4, Troubleshooting, IPv6 ACLs. DHCP Protocol IPv4 and IPv6: Principles, Configuration and Troubleshooting. Network Address Translation, NAT Operation, Configuration and troubleshooting. Managing the Network: IOS Management, Maintenance, Backups.

EINET3A

Networks 3

D10822 D10825

LAN Design – Introduction to LAN Design, Campus Wired LAN designs, Selecting Network Devices. Scaling VLANs – VTP, Extended VLAN's and DTP, Troubleshooting, Layer 3 Switching. STP – LAN Redundancy, Spanning Tree Concepts, Spanning Tree Configuration. Ether Channel and HSRP – Link Aggregation Concepts and Configuration, First Hop Redundancy Protocols. Dynamic Routing – Dynamic Routing Protocols, Distance Vector Routing, Links State Routing. EIGRP – EIGRP Characteristics, EIGRP Operation, Implementing EIGRP for IPv4 and IPv6. EIGRP Tuning and Troubleshooting – Tune EIGRP, Troubleshoot EIGRP. Single-Area OSPF – OSPF Characteristics, Single Area OSPF v2 and v3. Multi-Area OSPF – Multi-Area OSPF Operation, and Configuration. OSPF Tuning and Troubleshooting – Advanced Single-Area OSPF Configuration, Troubleshooting Single – Area OSPF Implementations.

EIOSY1A

Operating Systems 1

D10822

Introduction to operating systems: Overview of Hardware and Operating system concepts, components. Role of Operating systems, View of Operating systems. Operating systems structure: Operating systems structures: OPS Services, System calls, Device management, Design goals, Overview of the booting process using LINUX architecture. Process concept: Process concept, Process state, Process scheduling, Inter process communication. Multithreading programming: Overview of threads, types of threads, operations, benefits, multithreading. Process scheduling: CPU Scheduling: basic concepts, scheduling criteria and algorithms (FCFS, PS, RR, SJF). Synchronization: Process Synchronization: Basic process interactions: Critical section problem. Cooperation, Semaphores. Deadlocks: System model, deadlock characterization, methods of handling deadlocks, deadlocks prevention, deadlocks detection, deadlock avoidance, deadlocks recovery.

EIOSY2A

Operating Systems 2

D10822

Main Memory: Contiguous Memory Allocation, Paging, Swapping. Virtual Memory: Demand Paging, Page Replacement, Frame Allocation. Mass Storage System: Overview of Mass Storage Structure, HDD Scheduling, NVM Scheduling, Error Detection and Correction, Storage Device Management, Swap- Space Management, RAID Structure. I/O Systems: I/O Hardware, Application I/O Interface, Kernel I/O Subsystem, Transforming I/O Requests to Hardware Operations. File System Interface: File Concept, Access Methods, Disk and Directory Structure, File- System Mounting, File Sharing, Protection. File System implementation: File-System Structure, File-System Operations, Directory Implementation, Allocation Methods, Free-Space Management, Efficiency and Performance. File System Internals: File Systems, File-System Mounting, Partitions and Mounting, File Sharing, Virtual File Systems, Remote File Systems, NFS. Security: Program Threats, System and Network Threats, Cryptography as a Security, User Authentication, Implementing Security Defences,



Firewalling to Protect Systems and Networks, Computer-Security Classifications. Virtual Machines: Benefits and Features, Building Blocks, Types of Virtual Machines and Their Implementations, Virtualization and Operating-System Components. Network and Distributed Systems: Advantages of Distributed Systems, Network Structure, Communication Structure, Network and Distributed Operating Systems, Design Issues of Distributed Systems, Distributed File Systems.

EIOSY3A Operating Systems 3 DI0822

Domain Controllers. Active Directory. Authentication and Account Policies. Complex Enterprise Environments. Group Policy Objects, processing, settings and preferences (GPOs). Certificate Services (AD CS). Digital Certificates. Active Directory Federation Services (AD FS). Web Application Proxy (WAP). Active Directory Rights Management (AD RMS). Samba on Linux server. Apache web server on Linux server. Linux clients to access Windows-based services.

EIPRC4A Engineering Project 4 DI0822

Industrial problem solving and documentation.

EIPRI1A Process Instrumentation 1 DI0825

Introduction: Measurement Standards, Functional elements of Instruments, Static characteristics of instruments, Instrument errors, Industrial instrumentation schematics. Pressure Measurement: Introduction and definitions, Pressure in a Liquid, Pressure measurement with manometers, measuring pressure with elastic structures, measuring pressure with force balance gauges, Measuring pressure with DP-cell, Strain gauges. Flow Measurement: Introduction, Derivation of the flow equation, Differential pressure method of measuring flow, other flow meters. Level Measurement: Direct methods, indirect methods. Temperature Measurement: Introduction, Expansion and pressure thermometers, Resistance thermometers, Thermocouple thermometers, Thermistor thermometers. Process Control: Introduction, Control schemas, PID controllers, Pneumatic control valves.

EIPRI2A Process Instrumentation 2 DI0825

High and medium vacuum measurement, Introduction, Ionization gauges, Hot- filament ionization vacuum gauge, Undesirable feature, Cold cathode ionization vacuum gauge Electronic pressure detectors and transmitters, Introduction, Resistance strain gauge, Theory, Gauge factor “S”, Construction of strain gauges, Fine wire gauge cemented on a paper backing Flow measurement, Introduction, Types of flow, Streamlined flow, Turbulent flow, Helical-turbulent flow, Pulsating flow, Planning a flow installation, The flow equation, Modification of the flow formula level measurement, Introduction, Selection of a measurement system, Capacitive level measurement system, Operation of capacitive system, Factors which determine the di- electric constant, Installation requirements and practical consideration, temperature measure, Temperature measurement: Introduction, Resistance thermometer measuring method, Measurement circuits, Application notes, Potentiometer circuits, Operating principles, programmable controllers, Introduction to programmable controllers, Definition of a programmable controllers, Components of a programmable controller, Power supply, Control unit, Read-only memory (ROM), Random access memory, Central processing unit, Internal operation of the control unit, Input



Faculty Prospectus 2024

modules, controllers and control elements Introduction to Practical controllers and elements, Control stations, Remote-set stations, Cascade stations, Ratio-stations, Computer-set stations, Integral saturation, Control valves.

EIPRI3A	Process Instrumentation 3	<i>DI0825</i>
----------------	----------------------------------	---------------

Automatic control methods & distributed control systems, telemetering, intrinsically safe equipment, control systems, measurement with radio-active sources & non-destructive testing, analysers, SCADA systems and PLC systems.

EIPRJ4A	Engineering Project 4 (Process Control)	<i>DI0825</i>
----------------	--	---------------

Industrial problem solving and documentation.

EISEN1A	Software Engineering 1	<i>DI0822</i>
----------------	-------------------------------	---------------

Model Driven Architecture (MDA), Object Methods Groups (OMG) and Unified Modelling Language (UML); Rational Unified Process (RUP); Software Engineering Body of knowledge (SWEBOK). Tools, IBM Rational Software Architect, IBM Info Sphere Data Architect. Building the Analysis Model: Problem Statement, Use Case Diagram (Actors and Use Cases), Activity Diagram, Use Case Specification (Overview and Detail), Structure Use Case Model, Design and Prototype the User Interface, Concepts of Object Orientated Analysis. Introduction to Use Case Analysis: Use Case Realization, Finding Analysis Classes and Class Responsibility Analysis, Domain Model, View of Participating Classes (VOPC), Distribute Use Case Behaviour to Analysis Classes, Describe Attributes and Associations and Qualify Analysis Mechanism. Integrate Project: VOPC from Individual Use Case VOPC's, Conceptual and Logical Data Modelling Concepts, Derive the Integrated Logical Data Model for the Use Case from the VOPC.

EISEN2A	Software Engineering 2	<i>DI0822</i>
----------------	-------------------------------	---------------

The Analysis Model of a system: selection of an appropriate model. Iterative System Build: Select and Prepare a use case for design and/or code; Use Case Design; Perform Class Design; Code and Unit Test a use case using the build tools as defined in the Architecture document; Integrate and test: the use case with all other use cases in the build. Principles of Database Design: The Logical Data model is transformed into a physical Data Base.

EISEN3A	Software Engineering 3	<i>DI0822</i>
----------------	-------------------------------	---------------

Software Engineering Project: using a pre-developed problem, all the aspects learned are put together in one project to complete phase by phase. Each phase to be started with the best solution. Data Query Language: constructs and use of data query language.

EMAOM3A	Applied Strength of Materials 3	<i>DI0840 DI0841</i>
----------------	--	----------------------

Slope and deflection of beams; Leaf springs; Struts; Complex stress and complex strain and Thick cylinders.

EMCAI1A	Computer Aided Draughting 1	<i>DI0840 DI0841</i>
----------------	------------------------------------	----------------------

Introduction to a 3D parametric software interface; Creating sections, parts, assemblies and drawings.

EMCOA2A	Computing Applications 2	<i>DI0840 DI0841</i>
----------------	---------------------------------	----------------------

Provides basics of computing applications, integrates computation and visualization into a flexible computing environment, and offers a diverse family of built-in functions that will



give background in a straightforward manner to the basics of program language and ability of student to write their own simple programs to solve typical problems encountered in a variety of modules and in engineering practice. The subject covers elementary programming concepts that include, Variables and built-in Symbolic Math functions, Solving equation and system of linear equations, Range variables, 2D Plots of Functions, 3D Plots of Functions, Programming algorithm syntax, Programming – Loops.

EMEDR1A Engineering Drawing 1 *DI0800 DI0830 DI0840 DI0841
DI0850*

Drawing instruments; Drawing skills; Object visualization and drawing; sketching and drawing of chemical engineering process equipment's using computer software.

EMEDR2A Engineering Drawing 2 *DI0840 DI0841*

Advance constructions; Orthographic projection of true planes; Isometric; Interpenetration and development; Machine drawing and Assemblies.

EMEXM1A Experiential Learning 1 (Mechanical) *0*

EMFME3A Fluid Mechanics 3 *DI0840 DI0841*

Pipe flow; Viscous flow; Flow under varying head; Fluid friction in oiled bearings, Channel Flow; Wetted Perimeter and Positive displacement piston pumps.

EMFMM2A Fluid Mechanics 2 *DI0840 DI0841*

Hydrostatics; Fluid dynamics; Fluid power circuit elements; Hydraulic and Pneumatic systems.

EMHYM3A Hydraulic Machines 3 *DI0840 DI0841*

Channel flow and Wetted perimeter. Centrifugal pump, single pump, series pump, parallel pump, pump system characteristics equations (operating point of a pump), radia Flow, axial flow, mixed flow, best operating speed, best impeller size, Cavitations in pump, Thomas cavitations, velocity triangle (velocity vector, Euler head and manometric head). Turbines (impulse turbine: Pelton wheel, reaction turbine and velocity triangle). Fluid system (hydraulic system, hydraulic accumulator, hydraulic intensifier, hydraulic ram, hydraulic lift, hydraulic crane, hydraulic coupling, hydraulic torque converter, air lift pump and gear wheel pump.

EMMAE1A Maintenance Engineering 1 *DI0830 DI0840 DI0841*

Maintenance organisation, Work execution, Parts and materials, Maintenance systems and documentation, Maintenance planning and scheduling, Preventive and corrective maintenance, Computerized maintenance systems, Maintenance safety and efficiency, Reliability centred maintenance and Evaluation of a maintenance program.

EMMAE2A Maintenance Engineering 2 *DI0400 DI0840 DI0841*

Condition Monitoring; Failure analysis; Vibration Analysis; Fault detection techniques and tools: Thermography Analysis, Oil Analysis, Ultrasound Analysis.

EMMDE3A Machine Design 3 *DI0840 DI0841*

Shaft Design, Belt Design and Selection, Gear Design (Spur and Helical) Fatigue, Machine Screws and Fastener Design, Limits and Fits (Tolerances); Machine Design project to be written in the Harvard Style; Problem Statement, Literature Review, Evaluation of Prelimi



nary Ideas, Component design (calculations), CAD of components and assembly, Summary and Conclusion.

EMMEC1A Mechanics 1 *DI0830 DI0840 DI0841*

Statics: Analysis of vectors in 2-D and 3-D Cartesian spaces; Equilibrium of mechanical system and application to the calculation of reaction; Resultant, Moments of force and coordinates of Centre of gravity (Centroid); Friction; Dynamics; Linear and angular motion; Momentum and impulse; Work energy and power and Radial acceleration.

EMMEC2A Modelling and Engineering Computation 2 *DI0840 DI0841*

In this module, the students develop specific skills to program and use computational techniques to solve engineering problems. The module introduces Numerical methods relevant to Mechanical systems, including integration, solution of linear equations, and ordinary differential equations. Presents simulation approaches use for examples in Mechanical Engineering, particularly from dynamics, and structural analysis using MATLAB programming.

EMMED2A Mechanical Engineering Design 2 *DI0830 DI0840 DI0841*

Design process steps; Simple design without calculations; Engineering material selection; Rod connections; Riveted joints; Fasteners and connections; Shafts; Couplings; Keys and splines; Plain bearings; Spur gears; Eccentric loading of connections and Project.

EMMED3A Mechanical Engineering Design 3 *DI0840 DI0841*

Lubrication; Ergonomics; Springs; Bearings; Brakes; Clutches; Spur gears; Welded joints; Frame structure analysis by computer; Wire ropes; OSH Act; Parametric modelling; Pro-Engineer advanced; Mechanical elements into CAD models and Project.

EMMEN1A Manufacturing Engineering 1 *DI0830 DI0840 DI0841*

Safety and safety legislation; Identification and application of materials; Elementary measuring equipment and Elementary hand and Machine tools.

EMMEN2A Manufacturing Engineering 2 *DI0400 DI0830 DI0840 DI0841*

Fault diagnosis; Failure analysis and measuring equipment; Test methods; Interpretation and action; Powder metallurgy; Metal forming; Erosion; Casting; Plastics-moulding and machining; Welding and joining and Obtaining finish and accuracy.

EMMOM2A Mechanics of Machines 2 *DI0830 DI0840 DI0841*

Torque acceleration; Vehicle dynamics; Simple lifting machines; Hoists and haulages; Moment of inertia; Simple harmonic motions and Power transmission.

EMMOM3A Mechanics of Machines 3 *DI0840 DI0841*

Kinematics; Balancing and Gears.

EMPRJ1A Project 1 (WIL Mechanical) *DI0840*

The module is intended to offer hands-on workshop exposure to students. It shapes the behaviour of graduates to the mechanical and general manufacturing environment and develop safety awareness in campus-controlled environment in preparation for future workplace based learning.



EMPRJ2A	Project 2 (WIL Mechanical)	<i>DI0840</i>
This module builds on and enhance attributes enquired during Project 1 (WIL Mechanical).		
EMPRJ3A	Project 3 (WIL Mechanical)	<i>DI0840</i>
The module is a practical component of typical maintenance experienced in industry. It is supporting the subject Maintenance Engineering 2 covers the machine failure and analytical methods to monitor the condition of machines. It shapes the behaviour of graduates to the mechanical maintenance environment and prepares the student for future workplace based learning.		
EMSOM2A	Strength of Materials 2	<i>DI0830 DI0840 DI0841</i>
Pin jointed structures; Stress and strain; Testing of materials; Stresses in thin rotating cylinders; Thin cylinders; Shafts; Rigid couplings; Helical Springs; Shear force and bending moments in simply supported beams and cantilevers.		
EMSOM3A	Strength of Materials 3	<i>DI0840 DI0841</i>
Temperature stress; Properties of beam sections; Bending moments and beam sections; The theory of bending; Fatigue; Short columns and struts; Strain energy and Shear stress in beams.		
EMSPA1A	Safety Principles and Law 1	<i>DI0840 DI0841</i>
See EBSPA1A		
EMSPL3A	Steam Plant 3	<i>DI0840 DI0841</i>
Steam plant; Psychrometry; Rotary compressors; Heat transfer; Gas turbines; Cooling towers and Legislation and Forced convection.		
EMTHE2A	Thermodynamics 2	<i>DI0840 DI0841</i>
Introduction to thermodynamics; The First Law of thermodynamics; Working fluid; Solving thermodynamics systems; The Second Law; The gas cycles; Mixtures fundamentals.		
EMTHE3A	Thermodynamics 3	<i>DI0840 DI0841</i>
General thermodynamics; Ideal cycles; Internal combustion engines; Steam turbines; Refrigeration; Air compressors and Natural flow heat transfer.		
EMTOM3A	Theory of Machines 3	<i>DI0840 DI0841</i>
Introduction to the dynamics and vibrations of mechanical systems; Free and forced vibration of linear one and two-degree of freedom models of mechanical systems; Work-energy concepts; Unbalance and base excitation of systems.		
EMWIL1A	Work Integrated Learning 1 (Mechanical)	<i>DI0841</i>
EPAEN2A	Alternative Energy 2 (Power)	<i>DI0824</i>
Principles of Solar, Wind, Geothermal, Hydro, Bio energy, Micro Generation.		
EPAEN3A	Alternative Energy 3 (Power)	<i>DI0824</i>
Theory and calculations of types of Alternative Energy: Solar Energy, Wind Energy, Biomass Energy.		



EPCOA2A

Computing Applications 2

D10824

Navigating EPCOA2A on VUTela, Laboratory rules & guidelines. MATLAB Software: Different windows in MATLAB: Work in the command window, do simple arithmetic operations, display formats, use simple built-in functions, write script. Defining variables and use them in mathematical equations. Using the colon operator to manipulate elements in arrays.

Creating, saving, inputting data, and running a script, function: Mathematical operation with arrays, BODMAS, element by element operations, using built in function in arrays, use of MATLAB in application problems. To create and format two types of two-dimensional plots using MATLAB: use the plotting functions, plotting multiple graphs, formatting plots, Create and use user define functions and introduction to programming: The Conditional Statements; Switch case and Loops.

EPEEN1A

Electrical Engineering 1

*D10822 D10823 D10824 D10825
D10830 D10840 D10841*

Electrical Principles: The electron theory, Heat, Magnetism, Friction, Pressure, Light, Chemical Action, Batteries, International system of measurement. Basic Electrical Concepts: The electrical circuit, Electrical current flow, Electrical current, Electromotive force and voltage, Definitions of electric, magnetic, and other SI units, Resistance, Resistors. Network Theorems in Direct Current Circuits: Kirchhoff's laws, Superposition theorem, Thevenin theorem, Norton's Theorem, Star-Delta, and delta conversion, Delta-Star conversion, Star-delta conversion. Electromagnetism: The magnetic field, Electromagnetic Force on a current-carrying conductor, Electromagnetic induction, Lenz's law, Faraday's law. Inductance in Direct Current Circuits: Inductive circuits, Inductance, Current growth in an inductive circuit, Current decay in an inductive circuit, Energy stored in an inductor, Types of inductors. Capacitance in Direct Current Circuits: Capacitors, Capacitance, Series capacitor circuit, Parallel capacitor circuits. Parallel Magnetic Cores: Parallel magnetic circuits, electrical analogy, series and parallel in magnetic circuits.

EPEEN2A

Electrical Engineering 2

*D10822 D10823 D10824 D10825
D10830*

Single Phase AC Circuits: Series Impedance Circuits, AC Voltage Divider, Components of current, Admittance, Parallel impedance circuits, Current divider. Power and Power Factor Correction: Active (Real) power, Power in a resistive ac circuit, Power in an active ac circuit, Power in a capacitive ac circuit, Peak and average power, the complex power triangle, Complex power, Reactive power, Power factor, Disadvantage of a low power factor, causes of low power, Power factor correction, Equipment used for power factor improvement, Importance of power factor improvement, Calculations on power factor improvement. Network Theorems in AC Circuits: Kirchhoff's laws, Superposition theorem, Thevenin theorem, Norton's Theorem, Star-Delta and delta conversion, Delta-Star conversion, Star-delta conversion, Maximum power transfer theorem. Resonance: Effect of varying frequency in series ac circuits, Frequency effect on the circuit impedance, Current at resonance, Resonance rise in voltage, Energy transfer between the inductor and capacitor, Resonant frequency in series ac circuits, Tuning for resonance, Q-factor of a series resonant circuit, Practical parallel resonant circuit. Complex Waves and Harmonics: Integration of waveforms, Production of harmonics, Effect of reactance in complex circuits, Composition



of complex waves, Power and power factor of non-sinusoidal waves, Resonance as a result of non-sinusoidal waves, Addition and subtraction of non-sinusoidal waveforms.

EPEEN3A Electrical Engineering 3 *DI0824*

Advanced Three Phase circuits analysis, Interconnected Systems, Symmetrical Components, Per unit systems.

EPEEN4A Electrical Engineering 4 *DI0824*

Electrical Lighting: Different types of illumination. Economics of Power Generations, Transmission and Distributions. Theory and calculation of AC Distributions.

EPEMA2A Electrical Machines 2 *DI0824*

Basic Principles of Magnetic circuits, Direct Current Generators, Induced emf in a coil, Separately Excited Generators, Self-Excited Generators, Armature reaction, DC Motors, Efficiency of Machines and Faults and Failures.

EPEMA3A Electrical Machines 3 *DI0824*

Single-phase transformers: Construction, principle of operations, Phasor diagram, Polarity, Open and Closed-circuit tests on transformer. Three phase transformers: construction, types of cores, winding connections. Parallel operation of transformer, All day efficiency. Scott-connection, Temperature rise. Faults and failures.

EPEMA4A Electrical Machines 4 *DI0824*

Three Phase Induction Machines. Double-cage Induction Motors and Special Machines. Three Phase Generators.

EPEMN2A Energy Management 2 *DI0824*

Energy Accounting, Monitoring, Targeting and Reporting. Energy Audit Process. Energy Bills: Electric rate structures, Bill Analysis, Rebates, Tariffs. Economic Analysis and Life Costing Cycle. Lighting.

EPEPR3A Electrical Protection 3 *DI0824*

Introduction to basic of Electrical Protection, Symmetrical fault calculations, Application of Current interrupting devices: Fuses and Circuit Breakers, Current and Voltage transformers. Time grade Over current protection.

EPEXL1A Experiential Learning 1 (Power) *DI0824*

Measurement. Build a more meaningful understanding of the practical application base on the previous theory done at the University.

EPEXL2A Experiential Learning 2 (Power) *DI0824*

Interact with the broader workplace community through attentive reading and engagement of workplace policy and documentation.

EPPRJ4A Engineering Project 4 (Power) *DI0824*

Do and present an industrial based project.



EPSYS2A	Power Systems 2	<i>D10824</i>
<p>Generation of Electricity – Theory of different types of Power Stations. Classifications of Sub-Stations-Outdoor and Indoor. Types of Electrical Supply System. Mechanical Design of Overhead Lines. Electrical Design of Overhead lines.</p>		
EPSYS3A	Power Systems 3	<i>D10824</i>
<p>Performance of Transmission Lines, Line Insulators for High Voltages, Theory of Corona. Sag calculation of Overhead Transmission Lines. Theory of and calculation of Underground cables. Construction, Testing and Commissioning of Overhead Distribution Lines, DC Distribution Systems, Variable load Curves on Power Stations. Economics of Power Generations.</p>		
EPTXP3A	Transmission 3 (Power)	<i>D10824</i>
<p>Performance of Long Transmission Lines. Transients in Transmission Lines. Interference of Power Line with Neighbouring Communication Lines. Flexible AC Transmission Systems. Extra High Voltage AC Transmission. High Voltage DC Transmission.</p>		
EYCOA2A	Computing Applications 2	<i>D10850</i>
<p>See EBCOA2A</p>		
EYEGE1A	Engineering Geology 1	<i>D10810 D10850</i>
<p>Earth: surface, structure and age; Mineralogy; Petrology; Structural geology; Surface processes; Stratigraphy; Ore deposits; Industrial minerals; Practical work.</p>		
EYEME1A	Extractive Metallurgy 1	<i>D10850</i>
<p>Physical and Chemical Characteristics of Ore Minerals; Production of non-ferrous metals; Production of iron and steel; Pollution and pollution control; Refractories; The concept of distribution functions.</p>		
EYENC1A	Environmental Geochemistry 1	<i>D10850</i>
<p>Review of chemical principles, reactions at the solid-water interface, soil chemistry, contaminants in soils and sediments, medical geochemistry of Earth materials, hydro-geochemistry and hydrologic cycle, water chemistry and contamination, groundwater. geochemistry and contamination, atmospheric chemistry and pollution, waste dumps, acid mine drainage</p>		
EYHYD2A	Hydrometallurgy 2	<i>D10850</i>
<p>Solution chemistry and process thermodynamics; leaching reagents and processes; influence of pH and potential; leaching methods; application in leaching of oxide, sulphide and native minerals; design of a leaching plant; quantitative analysis (calculations); laboratory work.</p>		
EYHYD3A	Hydrometallurgy 3	<i>D10850</i>
<p>Winning and recovery processes: adsorption on activated coal; Ion exchange processes; Solvent extraction; Applications in gold, PGM and uranium leaching and treatment of the leach solution.</p>		



EYMAM1A Manufacturing Metallurgy 1 *DI0850*

Solidification of metals; casting technologies; design of Runners and gating systems; Casting construction and pattern design; Moulding materials; Moulding boxes; Cores and core making; Production techniques; Calculations of: solidification rates. Defects in castings; Dye-penetrant testing; Magnetic particle testing; Eddy current testing; Internal defects: Ultrasonic testing; Radiographic inspection; Introduction to Simulation of Casting Processes; Introduction to Additive Manufacturing.

EYMAM2A Manufacturing Metallurgy 2 *DI0850*

Welding processes; Manual and automated welding processes; Physics of welding; Defects in welding; Welding and weldability tests; Weld distortion; Welding procedures; Welding specifications, codes, symbols. Additive Manufacturing in Welding Processes. Automation in Welding Processes.

EYMAM3A Manufacturing Metallurgy 3 *DI0850*

Fundamentals of metal working; Forging processes; Rolling of metals; Extrusion; Drawing of rod and wire; Sheet metal forming including the theoretical aspects. Additive Manufacturing and Simulation (MagmaSoft). Manufacturing processes of other Materials; Ceramics; Polymers; Composites.

EYMPR1A Mineral Processing 1 *DI0850*

Ore deposits; Mining and mining methods; Ore handling; Ore preparation; Principles of comminution; Economic considerations.

EYMPR2A Mineral Processing 2 *DI0850*

Application of distribution functions to selection; Sampling and material balance; Mineral separation methods based on physical properties; Dewatering.

EYMPR3A Mineral Processing 3 *DI0850*

Principles of mineral processing plant design; Material balances on complex flow diagrams; Mathematical models and their applications in mineral processing; Principles, theory and practice of industrial process control in mineral processing plants; Mineral processing plant commissioning practice; Principles and practice of cost estimating.

EYPME1A Physical Metallurgy 1 *DI0850*

Electron configuration in metals; Crystallography; Solidification of metals; Introduction to plastic deformation; Constitution of alloys; Phases and phase diagrams; Heat treatment; Alloy specification.

EYPME2A Physical Metallurgy 2 *DI0850*

Mechanical metallurgy; Strengthening mechanisms; Phase transformations; Diffusion; The tension test; The torsion test; Hardness; Fatigue; Creep and stress rupture; Brittle fracture and Impact testing. Fracture and fracture mechanics, residual stress concentrations, Failure analysis.

EYPME3A Physical Metallurgy 3 *DI0850*

Corrosion processes and corrosion testing; Electrochemistry of corrosion; Passivity; Corrosion of iron and steel; Protection against corrosion; Alloying against corrosion; Non-ferrous alloys and polymers. Ternary phase diagrams Ultra-low carbon steels; Low carbon



Faculty Prospectus 2024

steels; High strength low alloy steels; Ultra high strength steels; High alloy and heat resistant steels; Cast irons; Titanium and Titanium alloys, Aluminium and Aluminium alloys or Copper and copper alloys.

EYPTH1A Process Thermodynamics 1 DI0850

Enthalpy; Entropy: processes – spontaneous, reversible and irreversible; Free energy; Ellingham diagram for oxides and sulphides; Chemical equilibrium; Behaviour of gases; Principles of phase equilibrium; Construction of phase diagrams: binary, free energy. Phase equilibria: the Clausius- Clapeyron equations; Fugacity, activity and equilibrium constant; Construction binary phase diagrams and application of Gibbs phase rule.

EYPYR2A Pyrometallurgy 2 DI0850

Mining and iron ore preparation. Iron blast furnace process and alternative iron making processes. Principles of direct reduction processes and comparisons of different processes. Corex process for iron making. Classification of refractory materials and testing methods. Types of refractory materials and identification of different basic, acid and neutral materials for manufacturing. Design- and installation methods in the refractory industry. Differentiation between different industries applying refractory material with special reference to the iron and steel and ferro-alloy production processes.

EYPYR3A Pyrometallurgy 3 DI0850

Desulphurization of hot metal. Basic oxygen process for steel making. Production of Ferro-silicon; Production of Ferro-manganese; Production of Ferro chrome; Production of special Ferro-alloys; Pollution and pollution control. Pyrometallurgy of copper ores roasting and smelting. Pyrometallurgy of zinc smelting. Pyrometallurgy for lead ore roasting, and smelting.

EYSPA1A Safety Principles and Law 1 DI0850

See EBSPA1A for description

EYWIL1A Work Integrated Learning 1 DI0850

The Diploma in Metallurgical Engineering has a formal six month Workplace Based Learning Component that is coordinated by the Department of Metallurgical Engineering. Companies accredited by the University will provide Workplace Based Learning. Students will spend a full six months at the work place following an approved programme under an approved company-based mentor. The programme will include work-based exposure and activities that will cover those sub-disciplines of the qualification that provide specialisation suitable for the company providing the Workplace Based Learning. The students will be required to submit regular progress reports as indicated in the programme as well as a final report that will include suitable work-based project reports, which will be assessed by the University.

**HKCOX1A Applied Communication Skills 1.1 DI0400 DI0800 DI0810 DI0822
DI0823 DI0824 DI0825 DI0830
DI0840 DI0841 DI0850**

Communication theory: what is meant by communication; elements common to all forms of communication; Reading for academic purpose: what it means to read a written text purposefully; Writing process and referencing: writing requires knowledge of grammar, punctuation, spelling, style, structure and audience; Listening process: why people fail to



listen; the different types of listening; aspects of intercultural listening, Creative thinking, critical thinking and disability communication: critical thinking.

HKCOX2A Applied Communication Skills 2.1 *D10400 D10800 D10810 D10822
D10823 D10824 D10825 D10830
D10840 D10841 D10850*

Introduction to Group Dynamics: Show understanding of different group characteristics, Communication Theory: Communication Model, Communication Barriers, Communication styles in workplace, PowerPoint Presentations: Planning and preparation of a presentation (Audience, Language, Knowledge of topics, Level of education, Social variables, Values, Needs and Size of Audience, Non-verbal and Intercultural Communication: Introduction to Non-verbal Communication, Logic and Reasoning: Conceptualise vital terminology uses in argumentative writing, construct a logically sound and well- reasoned argument, write and present logical arguments, Meetings and Interviews: Introduction of meetings, Types of meetings.

HKCOY1A Applied Communication Skills 1.2 *D10400 D10800 D10810 D10822
D10823 D10824 D10825 D10830
D10840 D10841 D10850*

Social Intelligence: Characteristics of Social Intelligence; Paragraphing: The structure of a paragraph, Elements of a Paragraph, Report writing: Different types of reports, Purpose of a report, Perception: What does perception involve? Facts vs Opinions: Facts, opinions. Subjectivity and Objectivity: Introduction, Subjectivity, objectivity. Denotations and Connotations: Denotation, connotation. Bias: Age Bias, Belief system or Religious Bias, Disability, Visual Literacy: Different types of visual literacy. Graphics: Tables, Bar Graphs, Histogram, Pie Chart, Line Graph, Pictogram, and Flow Chart. Advertisements: Examples of Figurative language.

HKCOY2A Applied Communication Skills 2.2 *D10400 D10800 D10810 D10822
D10823 D10824 D10825 D10830
D10840 D10841 D10850*

Interpersonal Skills in the Workplace: Group Dynamics, Conflict Resolution, Persuasion, Negotiation, Mediation, the Business Plan: Introduction to the business plan, Marketing your new business; Intellectual Property; How to obtain funding for your small business; The Business Pitch, Disability Etiquette: Definition of disability and disablism, Different depictions of disability, Words to describe different disabilities, Disability in South Africa, Models of disability; Disability Etiquette, Job advertisement, Curriculum Vitae and Cover letter: Analysing job advertisements; aligning your skills with job advertisements; Designing a professional curriculum vitae; Online job applications, Drafting a cover letter, Written Messages: E-mail etiquette; Writing Styles; Memoranda, Business Letters; The News Article

HLAWX1A Labour Law 1.1 *D10400*

Common law contract of service; Collective labour law includes a working knowledge of the following acts: Labour relations, Workforce training, Basic employment conditions, Workmen’s compensation, Unemployment Insurance and the Wages Act.



12.2 EXTENDED 4-YEAR DIPLOMA MODULES: ALPHABETICAL LIST

Course Code	Course Name (extended 4 -year programme)
DE0801	Chemical Engineering
DE0811	Civil Engineering
DE0831	Industrial Engineering
DE0841	Mechanical Engineering
DE0851	Metallurgical Engineering
DE0862	Computer Systems Engineering
DE0863	Electronic Engineering
DE0864	Power Engineering
DE0865	Process Control Engineering

Module Code	Module Name	Courses
Module Description		
AAXCH1A	Foundation Chemistry 1	<i>DE0801 DE0811 DE0831 DE0841 DE0851 DE0862 DE0863 DE0864 DE0865</i>
Atoms, molecules & ions; Stoichiometry; Reactions in aqueous solution; Rate and extent of reactions; Chemical equilibrium; Acids, bases and salts; Electrochemistry.		
AAXCH2A	Foundation Chemistry 2	<i>DE0801 DE0811 DE0831 DE0841 DE0851 DE0862 DE0863 DE0864 DE0865</i>
Organic molecules; The chemical industry.		
AMXMA1A	Foundation Mathematics 1	<i>DE0801 DE0811 DE0831 DE0841 DE0851 DE0862 DE0863 DE0864 DE0865</i>
Intro to Algebra, Expressions & equations, Linear & simultaneous equations, Polynomial equations, Matrix algebra, Hyperbolic functions.		
AMXMA2A	Foundation Mathematics 2	<i>DE0801 DE0811 DE0831 DE0841 DE0851 DE0862 DE0863 DE0864 DE0865</i>
Polynomial equations, Partial fractions, Trigonometry (radian measure), Binomial series, Functions, Intro to differentiation, Intro to integration.		
APXPH1A	Foundation Physics 1	<i>DE0801 DE0811 DE0831 DE0841 DE0851 DE0862 DE0863 DE0864 DE0865</i>
Mechanics: Force and Newton's laws; Momentum and impulse; Vertical projectile motion in one dimension; Work, energy & power; Doppler effect.		



APXPH2A

Foundation Physics 2

DE0801 DE0811 DE0831 DE0841
DE0851 DE0862 DE0863 DE0864
DE0865

Electrostatics; Electric circuits; Electrodynamics; Optical phenomena; Properties of materials; Emission and absorption spectra.

EMXDR1A

Foundation Drawing 1

DE0801 DE0811 DE0831 DE0841
DE0851

Letter and number notation; Line notation; Handling of apparatus; Measurement notation; Geometrical construction; Orthographic projections; Arcs of penetration and developments; Detailed works drawing; Composite drawings.

12.3 ADVANCED DIPLOMA: ALPHABETICAL LIST

Course Code	Course Name
AD0400	Operations Management
AD0800	Chemical Engineering
AD0810	Civil Engineering
AD0822	Computer Systems Engineering
AD0823	Electronic Engineering
AD0824	Power Engineering
AD0825	Process Control Engineering
AD0830	Industrial Engineering
AD0840	Mechanical Engineering
AD0850	Metallurgical Engineering

Module Code	Module Name	Courses
AMAEM4A	Advanced Engineering Mathematics	AD0822 AD0823 AD0824 AD0825
Module Description		
Mathematical skills using: Applications of integration; Laplace transform; First order differential equations and D-operators and Two-dimensional Laplace equations.		

AMMAT3A	Mathematics 3	AD0850
Application of Integration: Volumes of solids of revolution, Length of Curves, Double Integrals: Iterated Integrals & Fubini's theorem, Double Integrals, Polar Coordinates. First Order Differentiation Equations: Exact DE, Homogeneous DE, Bernoulli DE, Applications (Excluding Newton's Law of Cooling), D-Operator Methods. Numerical Solutions of First Order Differential Equations: Euler's method, Runge-Kutta order 2, Runge-Kutta order 4. Operator D Methods/Undetermined coefficients: Complementary Solutions, D-operator & Inverse, binomial or long division method, Theorem 1, Theorem 2, Theorem 3, Special cases, General solution, Applications. Laplace Transforms, and Table of transforms. (Derivation from first principles not for examination purposes), First shifting property, Laplace transforms of derivatives, Inverse Laplace Transforms using tables, Laplace Transforms of		



Faculty Prospectus 2024

discontinuous functions, Inverse Laplace Transforms of discontinuous functions, Solution of differential equations, Application to electric circuits, Application to beams. Fourier Series: Periodic functions and harmonics, sketching of graphs and determining Fourier Series, Series with period $2l$, Even and Odd functions, Full range and Half range series, Numerical Harmonic Analysis.

BHEMN4A	Engineering Management	<i>AD0822</i>	<i>AD0823</i>	<i>AD0824</i>
----------------	-------------------------------	---------------	---------------	---------------

AD0825

Contracts, Tenders, Planning techniques, Financial planning and control, Labour, Plant and materials, Scheduling, Budgets Cash flow and cost control, Labour law.

EBFEE4A	Financial Engineering and Economics	<i>AD0830</i>
----------------	--	---------------

Discrete-time models of equity, bond, credit, and foreign-exchange markets; Introduction to derivative, complete and incomplete markets; Arbitrage and fundamental theorem of asset pricing; Assess risk and return in an organisation; Perform financial planning; Mean-variance analysis; Capital asset pricing model; The arbitrage pricing theory.

EBFIM4A	Financial Management	<i>AD0400</i>
----------------	-----------------------------	---------------

Principles of financial management; Analysing and interpreting financial statements; Budgeting; Capital investment decisions; Risk and return; Risk and management tools.

EBFPD4A	Facility Planning and Design	<i>AD0830</i>
----------------	-------------------------------------	---------------

Introduction to facility planning and material handling; Product, process and schedule design; Flow systems, activity relationships and space requirements; Principles of material handling; Plant layout generation; Warehouse operations; Manufacturing systems and material handling; Facilities systems; Quantitative techniques for facility planning; Evaluating, selecting, and implementing the facilities plan.

EBHFE4A	Human Factors and Ergonomics	<i>AD0830</i>
----------------	-------------------------------------	---------------

Ergonomics; Human factors; Work design; Method study; Work measurement; Health and safety including healthcare; Enterprise applications.

EBIEM4A	Industrial Engineering Management	<i>AD0830</i>
----------------	--	---------------

This module takes an in-depth look into the managerial systems in the working environments; Providing the students with understanding of managerial principles and practice in internal and external working environments; The various challenges face by managers in today's manufacturing/working environments, and way forward; An approach and models for decision making and problem solving; In addition, the module focuses on the Industrial engineering managerial principles in managing operation, Quality and Crisis management. The topics covered include, amongst others: Introduction to Management Practice, Managing in organizations, Model of management, Managing internationally, Cooperate responsibility and employability skills, Planning, Decision making, Managing strategy, Managing marketing, Organizational structure, Creativity, Innovation and change, Teams, Managing operation and quality, Control and performance measurement.

EBIKM4A	Information and Knowledge Management	<i>AD0830</i>
----------------	---	---------------

Introduction on knowledge management; Developing a knowledge management system; Knowledge processes and governance; Types of Information systems; System development methodologies; information requirements analysis; Process analysis and specifications;



Designing effective output and input; Quality assurance and implementation of Information Systems.

EBMAS4A Manufacturing Systems AD0400

This module takes an in-depth look into production systems; Providing the students with an understanding of product development and design activities; Production planning and control methods, as well as the coordination of the entire manufacturing processes.; Hands-on experience in the practical sessions will ensure an understanding of the complexity and challenges of the various production systems; In addition, the module focuses on the practical application of the taught theoretical concepts in industrial companies.

EBMOM4A Modelling in Operations Management AD0400

Continuous systems: classification of systems, system's abstraction and modelling, types of systems and examples, system variables, input-output system description, system response and analysis of system behaviour; System simulation (computer-aided: Arena software), real-world system examples; Discrete systems: difference equations, numerical simulation of continuous-time dynamics, discrete-event systems, and real-world system examples.

EBMOS4A Modelling and Simulation AD0830

Continuous systems: classification of systems, system's abstraction and modelling, types of systems and examples, system variables, input-output system description, system response and analysis of system behaviour; System simulation (computer-aided: Arena software), real-world system examples; Discrete systems: difference equations, numerical simulation of continuous-time dynamics, discrete-event systems, and real-world system examples.

EBMPS4A Manufacturing and Production Science AD0830

Introduction and Basic Principles; Generalized Additive Manufacturing Process Chain; Extrusion Based Systems; The Impact of Low-Cost AM Systems Guidelines for Process Selection; Post-Processing; Development of Additive Manufacturing Technology; Business Opportunities and Future Directions; Automated Inspection, Renewable Energy & CAD/CAM; Software Issues for Additive Manufacturing; Direct Digital Manufacturing; Design for Additive Manufacturing; Rapid Tooling; Applications for Additive Manufacture; Final Additive Manufacturing Project.

EBQCO3A Quality Control 3 AD0850

Introduction; Different philosophies; Quality cost; Quality control and Quality improvement. Acceptance quality control: Inspection and testing; Measurement and acceptance sampling and Special quality experiments.

EBQIC4A Quality Control and Improvement AD0830

Trilogy of quality processes; Fundamentals and principles of quality assurance; Use of engineering statistics in reducing product variation; International standards for quality/quality management systems; Use of lean Six Sigma in reducing waste and/or reduction of process or product variation; Process design and/or Design of experiments to design robust processes and products; Reliability engineering and product safety concepts; TQM management and concepts; Inspection and testing; Quality audits.



EBQMA4A Quality Management

AD0400

Quality definition; Quality in manufacturing; Foundations of Quality; Customer service, satisfaction, and engagement; Workforce contributions at workplace; Manufacturing process; Tools and techniques for Quality; Design for Quality; Process improvement and Six Sigma.

EBRMI4A Research Methods and Industrial Engineering Project

AD0830

Research as a way of thinking and the role of research in product and service industries; Research process or concept map, Identification of research approaches and evaluating research strategies; Formulation of research problems; Research main question and sub-questions; Setting research aim(s) and objectives; Conceptualization and design of research; Critically reviewing literature and secondary data; Types of data: quantitative and qualitative; Constructing an instrument for Data collections; How to select a research sample; Collecting primary data through experimentation, measurement, observation, interviews and questionnaires; Data management/analysis and data presentation techniques, The writing of research proposal; Writing research report, Research Ethics.

EBRMO4A Research Methodology for Operations Management

AD0400

Research as a way of thinking and the role of research in product and service industries; Research process or concept map, Identification of research approaches and evaluating research strategies; Formulation of research problems; Research main question and sub-questions; Setting research aim(s) and objectives; Conceptualization and design of research; Critically reviewing literature and secondary data; Types of data: quantitative and qualitative; Constructing an instrument for Data collections; How to select a research sample; Collecting primary data through experimentation, measurement, observation, interviews and questionnaires; Data management/analysis and data presentation techniques, The writing of research proposal; Writing research report, Research Ethics.

EBSCM4A Supply Chain Management

AD0400

Purchasing and supply management in perspective; The task of purchasing and supply management; Process and procedures; Policies and strategies; Assessment and selection of suppliers; Sustainable purchasing and supply management; Price and cost analysis; Electronic commerce and procurement applications.

EBWDE4A Workplace Design

AD0400

Introduction to facilities planning and materials handling; Workplace design and shape, The ergonomic workplace design Product, process, and schedule design; Flow systems, activity relationships, and space requirements; Principles of material handling; Plant layout generation; Warehousing operations; Manufacturing systems and material handling; Facilities systems Quantitative techniques for facilities planning; Evaluating, selecting, and implementing the facilities plan, Improving work performance; Minimizing the physical strain; Designing workload of the working person; Facilitating task execution. Occupational health and safety; Workplace elements.

ECBDC4A Business Development in the Civil Engineering Environment

AD0810

Structure of the South African Economy; Business opportunities in the build environment; SMME and enterprise development; Role of government and programmes in business devel-



opment; Government and private sector budgeting and funding processes; BBBEE requirements; PPP; business (organisation) models, Ownership, shareholding, etc., Legal requirements, registration; Company taxes; Financial statements and interpretation; Project and company funding methods; Planning and control; Project and company viability / feasibility; Company risks; Insurance.

ECDE4A Earthworks Design *AD0810*

Materials selection; Design and construction of embankments; Design and construction of cuttings; Environmental impact control; Problem soils: Collapsible soils and expansive soils; Compaction equipment and techniques; Other soil improvement techniques.

ECENS4A Environmental Studies *AD0810*

To understand the planning and design of a civil engineering project in order to identify potential fatal flaws such as unavailability of technical and scientific information; To demonstrate the knowledge on understanding the Interested and Affected parties (I&APs) of a proposed civil engineering development, during the scoping phase of the EIA; To be able to identify the environmental specialists (geologist, botanist, economist, etc.) needed for a particular civil engineering project or development; To be able to integrate the findings of the environmental specialist with other available information and synthesized into an Environmental Impact Report (EIR); To be able to understand the Authority review and decision making process.

ECHE4A Highway and Traffic Engineering *AD0810*

Traffic surveys; Traffic characteristics and flow theory; Traffic design; Traffic management and urban works; Traffic safety; Statistical methods; Parking studies; Systems and structures; TSM; TDM traffic impact studies; Traffic control and forms of signing; Signals and ATC systems; Interchange and intersection capacity and Project.

ECMAT4A Civil Engineering Materials *AD0810*

Concrete technology; Asphalt technology; Bitumen technology; Steel technology; Timber technology.

ECMTT4A Management Tools and Techniques *AD0810*

Management Tools and Techniques For: Project Integration Management, Project Scope Management, Project Time Management, Project Cost Management, Project Quality Management, Project Human Resource Management, Project Communication Management, Project Risk Management, Project Procurement Management and Project Stakeholder Management.

ECRED4A Reticulation Design *AD0810*

Hydraulic principles; Design parameters; Ancillary works; Pumping installations; System operation; Water management; Waste management; Environmental aspects and design project.

ECREM4A Civil Engineering Research Methodology *AD0810*

Introduction to Research and the Research Process; Research Ethics and Integrity; Introduction to Quantitative Research, Study Designs and Methods; Analysis and Interpreta-



Faculty Prospectus 2024

tion of Quantitative Data; Introduction to Qualitative Research; Study Designs and Methods; Analysis and Interpretation of Qualitative Data; Literature survey.

ECREP4A Civil Engineering Research Project AD0810

Data collection according to prescribed specifications; Validation of results, discussion and conclusions; and Dissemination of research findings by means of a research report and presentation.

ECRWE4A Railway Engineering AD0810

Introduction to railways; Functions of railway track components (Signalling, Switches and Crossings; Rail Joints and Welding); Components of Track Structure; Manual and Mechanised Maintenance; Geometric Design of Railways; Railway Safety and Derailment Investigation.

ECSRD4A Steel and Reinforced Concrete Design AD0810

To design structural steel connections in accordance with SABS O162-1; To design thin, cold-formed steel structural elements to SANS 10162-2; To design a complete heavy industrial building that incorporates crane gantry girders and composite steel-concrete elements with reference to relevant design codes; To analyse to reinforced concrete elements and structures to determine forces, reactions, stresses and bending moments; To design reinforced concrete slabs (flat, waffle, ribbed and hollow), corbels, deep beams and shear walls; To design silos and water retaining structures; To utilise computer software packages (PROKON and AUTOCAD) for analysis, design and detailing of a design project.

ECSTR4A Structural Analysis AD0810

Virtual work; Arches- 3-pinned, 2-pinned and fixed: Rectangular; Portals; Segmental and Parabolic; Influence lines: Frames; Arches and Portals; Space frames; Suspension bridges; Cables and Stiffening girders; Computer applications.

ECWWE4A Water and Wastewater Engineering AD0810

Water and Wastewater Properties; Treatment Processes; Treatment Plant Design; Water Recycling and Reuse; Recovery and Conservation; Environmental Aspects; Plant- Operation and Management.

EEAEL4A Electronics AD0822 AD0823

Advanced biasing; Universal preamplifier; Three stage semi- power amplifier signal sources and Signal processing; Power amplifier; Power supply; RF coil; Differential amplifier; Dual-gate MOSFET and Power MOSFET.

EEAMI4A Microwave Engineering AD0823

Apply scientific engineering knowledge to solve microwave transmission lines problems, Geometry, characteristics. Materials selection criteria for substrates, Strip lines, coplanar wave slot line design formulas, Patch, and parabolic dish antenna. Microstrip component: Microwave components and component design, directional couplers. application of CAD knowledge to design and simulate microstrip component, matching a transistor to a load and source impedance. Microwave amplifiers and filters: solid state microwave devices. S-parameters. Design, simulate, and evaluate radio frequency power amplifier, for maximum available gain using S- parameters most applicable in the industry, acquire adequate know-



ledge and techniques to attain a maximum power transfer in a transmitter. Amplifier design. Determine maximum power transfer to antenna via transmission line. Design for a specific gain. Impedance matching. The design of filters (Chebyshev, Butterworth). Filter design and impedance matching using CAD programmes.

EAAOE4A Opto-Electronics *AD0823*

History of Opto-electronics; Transmitting and receiving devices; Manufacturing of cables and connectors; Opto-electronic communication system and Test equipment. Optical Design calculations. Optical Design circuitry.

EEPOW4A Power Electronics *AD0824*

AC drivers; DC drives; Inverters; Multilevel inverters; FACTS; Power conversion applications and Resonant conversion techniques.

EEPRO4A Electrical Engineering Project (Electronics) *AD0823*

Research Methodology: Introduction to Research methodology, Research topics, Different types of research, All research concepts and outputs, Referencing. Project Proposal: Discussion of the project proposal, Introduction: (Background, Purpose, Problem), Problem statement, Sub problems, Hypothesis, Assumptions, Delimitations, Definition of terms, Importance of the project, Overview of the project and summary. Literature Review: Introduction to literature study, Background of the topic being researched, Relevance of literature used for the study, Evidence of researched literature to address the components of the project, Citations and referenced used with research literature with reference to the VUT referring documentation. Sub-Problem 1 chapter: Introduction relevant to identified sub problem 1, Restatement of what the sub problem 1 is that need to be solved, Restatement of the hypothesis associated with the stated sub problem 1, Theory, relevant laws, fundamentals applicable to the stated sub problem 1, Methods, methodology used as well as what resources used to solve the sub problem1, Results obtained through tests, analysis and interpretation of the obtained data, Discussion of the results (explanations and evaluation of the data obtained), Testing of the hypothesis, Summary of what was discussed in the chapter. Sub-Problem 2 chapter: Introduction relevant to identified sub problem 2, Restatement of what the sub problem 2 is that need to be solved, Restatement of the hypothesis associated with the stated sub problem 2, Theory, relevant laws, fundamentals applicable to the stated sub problem 2, Methods, methodology used as well as what resources used to solve the sub problem2, Results obtained through tests, analysis and interpretation of the obtained data, Discussion of the results (explanations and evaluation of the data obtained), Testing of the hypothesis, Summary of what was discussed in the chapter. Final chapter: Summary of the identified problem statement and sub problems, Findings and deductions, Meaning and implications of the research that was conducted, Re-assessment of the original identified problems, Recommendations, Fields for further studies. Final project demonstration: Presentation of the identified problem and sub problems, technologies used and how was the final solution obtained, Final project hardware layout, Demonstration of the solution, Questions and answers (Moderator/Examiners).



EERAD4A Radio Engineering

AD0823

Apply scientific engineering knowledge to solve radio engineering problems. Antennae design: Yagi, stacked dipoles, Stacked Yagis, Industrial application of dipole arrays, ZL special, Slim Jim. Various Omni. Antennae simulation and analysis, Impedance matching of antennae components. Transmission line systems: Determine maximum power transfer to antenna via transmission line and splitters. Determine power delivered to each antenna and individual impedance of each antenna. Receiver: The design of filters (Chebyshev, Butterworth). Filter design and impedance matching using cad programmes. Power filter design and matching. The analysis of a small signal amplifier using various cad programmes. Solve broadly defined small signal amplifier problems. The design of a small signal amplifier using various cad programmes. Small signal amplifier simulations and analysis. Power amplifier transmitters, measurement. Cooling of high-power transmitters, and industrial applications.

EEREM4A Engineering Research Methods (Electronics)

AD0823

Aspects of research: Introduction, importance of research, elements of research, defining research, dimensions of research, what research is not, nature of research and ethical requirements for researchers. Types of Research: Introduction, basic and applied research and research as per discipline or technical group. Sources of topics for scientific research: Introduction, starting point for research, sources of research topics or problems, when a topic is not a research problem and determining the suitability of a research problem. Demarcating of the research problem: Introduction, selecting a subject for research, posing a research problem as statement and steps in problem demarcation and formulation. Formulating a hypothesis: Introduction, defining a hypothesis, inductive and deductive hypothesis, variables and examples of formulated hypothesis. Writing a research proposal: Introduction, defining a research proposal, value of a research proposal, types of research proposals and components of the research proposal. Basic reading techniques for the literature review: Introduction, what to include in a review of the relevant research topic literature and the steps in doing literature review. Methods for collecting data: Introduction, research instruments, primary and secondary data and research methodology used to manage collected data. Literature review (Chapter 2): Introduction, provide evidence of a research for information and referencing techniques, inclusion of recent literature, relevance of collected information, how to interpret the collected information and relevant information associated with each identified sub problem.

EESAT4A Satellite Communication

AD0823

History of satellite communication; Orbital parameters; Communications Link design and networking; Platform and payload; Space environment, Launches and deployment; Ground stations.

EHAEM4A Advanced Engineering Mathematics

AD0800

Least Square method and curve fitting of data, cubic spline problems, approximation of functions interpolation and extrapolation of techniques; forward, backward and central difference, error approximation; derivatives from difference tables; Numerical integration – Newton Cotes Integration technique, Simpson’s 1/3rd and 3/8th rule, trapezoidal rule, Gaussian quadrature; Multiple Integral solution of Non-linear equation, bisection methods,



regular-falsi method, Newton- Raphson methods, Euler's method, Euler's modified iteration technique, Picaed method, Runge-Kutta 4th order technique, Taylor series method; Solutions of ordinary differential equation (initial and boundary value problem).

EHAPC4A Advanced Process Control *AD0800*

Introduction to Process Control, Control System Hardware, Control and Modelling Philosophies, and Economic Justification of Process Control. Theoretical Models of Chemical Processes or Mathematical Modelling of Chemical Processes. Dynamic Behaviour of Chemical Processes. Analysis and Design of Feedback Control Systems (Closed-loop Control Systems). Analysis and Design of Feed Forward (FF) Control Systems.

EHAPD4A Advanced Process Design *AD0800*

Equipment Design: Design and sizing of most common equipment used in chemical plants: shell & tube exchangers, cooling towers, multicomponent flash drums, distillation columns, absorption columns, catalytic reactors, etc. Chemical Plant Design Aspects: Code of Professional Practice; Process design principles and design objectives; Design Guidelines: Conceptual design, detailed design process, detailed design layout, Operation and Maintenance, Documentation; Safety. Process Flow diagrams (PFD), Process Piping and Instrumentation Diagrams (P&ID's) Hazard and Operability Analysis (HAZOP); Environmental and Sustainability Aspects of Plant Design and Operations: Chemical Plant Emissions (Air Emission. Solid waste, liquid effluent), Environmental Impact Assessment (EIA). Chemical Process Economics: Plant capital costs estimates (detailed factorial method); Operating costs estimates; Economic evaluation: NPV, IRR, etc. Design Project: Literature survey – evaluation of process and engineering alternatives; Material and Energy balances; Process Flow sheeting – PFD and P&I diagrams; Simulation of a continuous flow process using rigorous simulation packages e.g., CHEMCAD / ASPEN / HYSIM etc.; Equipment design and specifications; Hazards and Operability Study; Environmental considerations, legislation and pollution control; Process economics.

EHARE4A Advanced Reaction Engineering *AD0800*

Basic principles, rate controlling steps, Thermodynamic aspects of chemical equilibrium calculations, Intrinsic and Global rates. Heterogeneous reactor design. Non-catalytic and catalytic heterogeneous reaction and reactor design, axial mixing phenomenon, Fluidized bed reactors, Analysis of real reactors. Multiphase flow reactors, Stirred vessel reactors, miscellaneous reactors, Multiphase flow regimes, Gas-liquid, Solid-gas, Gas- solid, liquid-solid reactors, Isothermal and adiabatic fixed bed reactors, Non-isothermal and non-adiabatic fixed bed reactors, fixable bed reactors. Classification, characterization, preparation and application of catalysts, activation & deactivation catalysts, Specific design aspects and the typical industrial reactors with their performance, Reactor stability and optimization, Scale up of reactors.

EHCEL4A Chemical Engineering Laboratory *AD0800*

Continuous Distillation: Conduct an energy and material balance around the column, determine the number of theoretical plates using the McCabe-Thiele method, determine the feed location stage. Refrigeration: Observe the effects of high ambient temperature, to observe the effects of a shortage of refrigerant, observe the effects of severely restricted air flow through the condenser, observe the effects of a stopped condenser fan. To observe the



effects of hot air over the condenser. Batch Stirred Tank Reactor: determine the reaction order with respect to NaOH, determine the reaction rate constant with respect to NaOH, determine the rate of the chemical reaction. Evaporator: evaluate the mass and energy balances, determine the amount of heat transferred by the steam, determine the steam required (kg/s), determine the overall heat transfer coefficient (U), determine the efficiency (%).

EHFLM4A Advanced Fluid Mechanics AD0800

Similitude and scale-up applications, Advanced Equations of Fluid Flow (Energy Mass and momentum conservation), Incompressible Flow in Pipes and Channels, Flow of incompressible non-Newtonian fluids in pipes, Flow of Compressible Fluids, Flow of multiphase mixtures, Flow Past Immersed Bodies, Transportation and Metering of Fluids, Agitation and Mixing of Liquids, Introduction to unsteady state flow (laminar flow).

EHHMX4A Advanced Heat, Mass Transfer and Separation AD0800

Mod 1: Heat Transfer to Fluid without Phase Change, Heat transfer to fluid with a phase change, Radiative heat transfer, Heat-Exchange Equipment, Mass Transfer, Multicomponent distillation, multiple effect evaporation, liquid-liquid extraction, crystallization, drying, adsorption Solid-liquid extraction (leaching), membrane separations and absorption.

EHHMY4A Advanced Heat, Mass Transfer and Separation AD0800

Mod 2: Heat Transfer to Fluid without Phase Change, Heat transfer to fluid with a phase change, Radiative heat transfer, Heat-Exchange Equipment, Mass Transfer, Multicomponent distillation, multiple effect evaporation, liquid-liquid extraction, crystallization, drying, adsorption Solid-liquid extraction (leaching), membrane separations and absorption.

EHMAN4A Engineering Management AD0800

Using Operations to Complete. Managing Effective Projects. Developing a Process Strategy. Analysing Processes. Managing Quality. Planning Capacity. Managing Process Constraints. Maintenance and Reliability. Linear Programming Model. Engineering Economics Analysis.

EHRMP4A Research Methodology and Project AD0800

Identify, describe, and delimit an industrial process problem/research problem, Motivate the need for the project, State specific objectives, Estimate resource requirements, Establish various tasks in project and time frame for each task, Survey relevant sources on the research problem, Write a properly referenced literature survey, Identify and justify relevant theoretical framework and justify choice, Describe and defend methodology, Design and conduct experiments and trials to study the effects of process variables on process operations, analyse, interpret and report results of experiments and trials, write technical reports.

EICIA4A Circuit Analysis AD0823

First order circuits: Determine the zero-input response of first order circuits, determine the zero-state response of first order circuits, find the total response of first order circuits in terms of the natural response and the steady state response. Second order circuits: Determine the zero-input response of second order circuits and determine the complete response of second order circuits with initial conditions and non-zero inputs. Sinusoidal analysis: Determine steady state response in the time domain and determine steady state



response in the frequency domain. Resonance: Analyse series resonant circuits, analyse parallel resonant circuits and perform calculations involving practical resonant circuits. Laplace Network Analysis: Calculate the Laplace transform of common time functions and perform Laplace network analysis. Project: Second and third order step response: Students will be required to construct a second and third order circuit and determine its step response.

EICNS4A Computer Network Security AD0822

Network Security Threats: Fundamental principles, Worms, Viruses and Trojan Horses. Attack methodologies. Securing Network Devices: Device Access and Files, Privilege Levels and CLI. Monitoring Devices. Automated features. Authentication, Authorization and Accounting: Purpose of AAA, Local AAA, Server Based AAA, Implementing Firewall Technologies: Access Control Lists, Firewall Technologies, Context based Access Control, Zone based Policy Firewalls. Intrusion prevention: IPS Technologies, Implementation of IPS.

EIDBP4A Database Programming AD0822

Introduction to database system and SQL: Core components of a Database Systems; Database Application Architecture; Database Systems performance metrics; History of SQL; SQL Categories. Introduction to SQL Server: SQL Server origins; SQL Server hierarchy; System & User databases; Database Logins & Users; Creating & reading database diagrams. Creating database structures in SQL Server: Object naming rules in SQL Server; Rules & Conventions in SQL Server; SQL Server datatypes and their usage; Concept of NULL; Concept of three-valued logic and its implication on logical evaluations; Creating database objects; Renaming database object and the implications thereof. Basic data retrieval: SQL query life cycle within SQL Server; Execute queries in SQL Server and view the results; Result set vs Print statement; Data retrieval with SELECT statement; Projection vs Selection; Filter results with WHERE clause; Order results with ORDER BY; Operator precedence; Aliasing and the use thereof. Data modification: INSERT data into a table and variation of the INSERT statement; Modifying data with UPDATE statement; Removing rows with DELETE statement; Copy rows with INSERT...SELECT statement; Importance of WHERE clause. Advanced data retrieval: Filter rows with pattern matching, range selection, list or set containment; Perform aggregate function over a set of data; Perform aggregate function over a group of data; Using derived tables. Joining data: Concept and usage of JOINS, UNIONS and Sub-queries; Differentiate between the different types of JOINS; Implement the different types of JOINS; Extend a join between more than two tables; Implement Union operation; Implement correlated and uncorrelated sub-queries. Writing SQL scripts and batches: SQL Server scripts and batches; Single and multiline comments; Declare and working with variables; Alter the flow of code using selection with IF and CASE; Iterating through code with loops; Exception handling in a database; Database transactions; Database cursors; Using temporary tables; Executing dynamic SQL statements. Working with User Defined Functions: Define of User Defined Functions (UDF); Benefits of UDFs; Deterministic vs non-deterministic functions; System UDFs; Scalar functions compared to inline & normal table valued functions; Limitations of UDFs. Working with Stored Procedures: Define Stored Procedures; Benefits of stored procedures; System & Extended stored procedures; Creating and modifying stored procedures; Passing parameters into and out of a stored procedure; Using the RETURN



value; Code encryption in stored procedures. Working with Triggers: Define Triggers within a database system; Differentiate between the different trigger option; Create and modify triggers; Enable and disable triggers. Working with XML: Define XML and its usage in a database; Define “Well-formed” XML; XML technology and related concepts; XML in SQL Server and generating XML; XML datatype and available methods.

EIDBS4A Database Administration AD0822

Manage database systems that help companies and corporations effectively and efficiently store, manage, and retrieve large volumes of data. Update outdated systems or integrate old data into a new system. Test existing systems and make changes or troubleshoot problems when necessary. Keep the database system functioning properly and add or delete users as needed. Responsible coordinating the maintenance of data integrity, back- up systems, and security with network administrators. Think logically, concentrate, and pay attention to details because those in this field are often required to pay attention to several tasks at once. Work as part of a team. Provide data to external systems using exports and include external data using imports. Track database performance and troubleshoot problems. Develop a complete database and demonstrate administrative tasks. Should investigate new technologies in the field of database including but not limited to NoSQL.

EIDCS4A Digital Control Systems AD0823 AD0825

Sampled Data Systems: Describe the basic elements of a digital control system and the fundamental process of sampling a continuous signal, express the input output relationship of digital systems in terms of difference equations, define the impulse function and step function, determine the z transform of important time functions and use z-transform techniques to solve difference equations. Transfer Functions: Visualize the sampling process to be composed of an ideal sampling action followed by a hold action, determine the transfer function of discrete cascaded systems and feedback systems, and obtain the transfer function of a plant preceded by a zero-order hold device. Time Domain Analysis: Analyse the transient behaviour of a prototype second order continuous system, map between values in the s plane and the z plane, judge the response of discrete systems by relating the essential discrete characteristics to the properties of a similar and more familiar continuous system, view the transient response of discrete systems in terms of the position of the roots of the characteristic equation in the z plane and determine the steady state behaviour of digital control systems. Stability Analysis: Use the Jury test to judge the stability of discrete control systems and prescribe the set of conditions that will guarantee stable operation of a digital control system. Root Locus Techniques: Construct the root locus from the characteristic equation of a system and analyse transient and stability behaviour of systems by means of the root locus. Digital Controller Design: Improve system response with controller design based on root locus methods, determine digital forms of the PID control algorithm and realize PID controllers. Project: Level Control: To complete this project, students will be required to construct a circuit representing a water level control system with various parameters to simulate PID control.



EIDSP4A Digital Signal Processing

AD0823 AD0825

Discrete systems and signals: Define Shannon's sampling theorem, define the impulse and step function, sketch and perform elementary algebraic operations with discrete signals, construct difference equations and block diagrams for discrete systems, determine the response of linear, time invariant system to various inputs. Time Domain Analysis: Determine the zero-input response of second order circuits, determine the complete response of second order circuits with initial conditions and non-zero inputs. Z-Transform: Define the z transform $X(z)$, verify the important properties of the z transform, determine the z transform $X(z)$ for time functions $x(k)$, use the method of long division and partial fractions to find the inverse z transform of $X(z)$. Frequency Domain Analysis: Relate the transient response of a system to the roots of the denominator of the system function $H(z)$, determine the frequency response of the system $H(z)$, from $H(z)$. Discrete Fourier Transform: Determine the frequency spectrum of non-periodic signals and determine the frequency spectrum of periodic signals. Project: Low Pass FIR Filter designs: The design of fourth and fifth order low pass FIR filters.

EIINT4A Industrial Network Systems

AD0822 AD0825

The ISA-95 standard, basic concepts, different similar standards, MES Model, MESA model, ISA-95 standard functionality, ISA-95 Enterprise Process Control Model, ISA-95 parts discussions, benefits of the ISA-95 standard, End-users use of the standard, Integrator use of the standard, Integration of ISA-88 and ISA-95 standards, comparison of the two models, integrating ERP and MES systems using the two standards, Secure architecture for industrial process control systems, ICS Security architecture, Purdue model for control hierarchy, Enterprise zones, Different zones and level in the control hierarchy, practical implementation of an ICS network, architecture security patterns for ICS, access control, Log management, network security, remote access to ICS, IIOT and Plantweb Digital Eco System and Industry 4.0 for process control and mobile process control networking.

EIMSD4A Micro Systems Design

AD0822

Introduction: Concepts of embedded systems and Internet-of- Things (IoT), Architecture of microcontrollers, three-layered IoT architecture, Hardware platforms - Arduino UNO hardware and Node MCU/ESP8266. Programming IDE (Integrated development environment), Circuit design in electronic design automation (EDA) simulator software. Programming and algorithm design: Embedded system design, Design of algorithms – pseudocode and flow charts, C++ coding; variable and data types, Operators, Flow control statements and loops, functions, libraries and pre- compiler directives. Interfacing and sensors: Interfacing microprocessors to the physical world, Using interrupts and polling, Resistive sensors, analogue and Digital interfaces, Analogue to digital conversion. Serial communication peripheral interfaces: Universal Asynchronous Receiver/Transmitter (UART), Serial Peripheral Interface (SPI), Inter-integrated Circuit (I2C), Interfacing the LCD and custom digital interface - DHT22. Communication layer: Implementation of wireless sensor networks (WSN), The need for energy efficiency in WSN, TCP/IP protocol stack, Network layer, transport layer, lower layer wireless communication protocols; IEEE 802.11, IEEE 802.15.4, Bluetooth low energy and Z-wave. Application layer: Hyper Text Transport Protocol (HTTP) - server and client, Message Queue Telemetry Transport (MQTT)- clients



and broker, data logging on the Serial Peripheral Interface Flash File System (SPIFF) and other application layer protocols; CoAP, XMPP and AMQP.

EIPRE4A Electrical Engineering Project AD0822

Research Methodology: Introduction to Research methodology, Research topics, Different types of research, all research concepts and outputs, Referencing. Project Proposal: Discussion of the project proposal, Introduction: (Background, Purpose, Problem), Problem statement, Sub problems, Hypothesis, Assumptions, Delimitations, Definition of terms, Importance of the project, Overview of the project and summary. Literature Review: Introduction to literature study, Background of the topic being researched, Relevance of literature used for the study, Evidence of researched literature to address the components of the project, Citations and referenced used with research literature with reference to the VUT referring documentation. Sub-Problem 1 chapter: Introduction relevant to identified sub problem 1, Restatement of what the sub problem 1 is that need to be solved, Restatement of the hypothesis associated with the stated sub problem 1, Theory, relevant laws, fundamentals applicable to the stated sub problem 1, Methods, methodology used as well as what resources used to solve the sub problem1, Results obtained through tests, analysis and interpretation of the obtained data, Discussion of the results (explanations and evaluation of the data obtained), Testing of the hypothesis, Summary of what was discussed in the chapter. Sub-Problem 2 chapter: Introduction relevant to identified sub problem 2, Restatement of what the sub problem 2 is that need to be solved, Restatement of the hypothesis associated with the stated sub problem 2, Theory, relevant laws, fundamentals applicable to the stated sub problem 2, Methods, methodology used as well as what resources used to solve the sub problem2, Results obtained through tests, analysis and interpretation of the obtained data, Discussion of the results (explanations and evaluation of the data obtained), Testing of the hypothesis, Summary of what was discussed in the chapter. Final chapter: Summary of the identified problem statement and sub problems, Findings and deductions, Meaning and implications of the research that was conducted, Re-assessment of the original identified problems, Recommendations, Fields for further studies Final project demonstration: Presentation of the identified problem and sub problems, technologies used and how was the final solution obtained, Final project hardware layout, Demonstration of the solution, Questions and answers (Moderator/Examiners).

EIPRI4A Process Instrumentation AD0825

Nuclear reactor instrumentation, control of chemical reactors, blending and ratio controls, analysers, water quality monitoring systems, smoke and air quality monitors air pollution control, control centres, un-interruptible power supplies, wiring practices, plc Communication And Automation, Selecting, Commissioning and Maintenance of a PLC System, Distributed Control Systems, Hierarchy Control.

EIPRO4A Electrical Engineering Project AD0825

See EIPRE4A

EIREM4A Engineering Research Methods AD0822 AD0825

Aspects of research: Introduction, importance of research, elements of research, defining research, dimensions of research, what research is not, nature of research and ethical requirements for researchers. Types of Research: Introduction, basic and applied research



Faculty Prospectus 2024

EMECN4A Engineering Economics AD0840

Explain financial statements and perform ratio analysis, cost control and its application; Classify and distribute overheads, depreciation, perform depreciation calculations, determine the effects of overheads to production cost; Apply standard costing and its utility variances, budgetary control, marginal costing to production; Explain the significance of waste extraction, waste recovery in relation to engineering costing.

EMEPR4A Engineering Professionalism AD0840

Provide students with the knowledge and understanding of the general and necessary responsibilities of the engineering profession, the roles of engineers in society, and the need for professionalism and ethics in the engineering profession.

EMHMT4A Heat and Mass Transfer AD0840

The optimal transfer of mass and energy in modern industry cannot be over-emphasised. This module will equip students with the appropriate tools required in the prediction and analysis of the performance of units/systems involved in this process.

EMMST4A Material Science AD0840

Identify different types of engineering materials; Processes that enhance their properties, selection and their uses.

EMRMD4A Research Methods and Engineering Design Project AD0840

The student will be guided in order to: identify a mechanical engineering design problem, set the objectives, develop the methodology, determine the project plan, determine the budgetary constraints of the project, systematically develop a solution using a step-by-step scientific approach, and present the solution in a scientifically written design project report to a panel of assessors.

EMSMS4A Solid Mechanics and Stress Analysis AD0840

The purpose of this module is to equip the students with the fundamental principles of determining Stress and strain in a Mechanical system and apply Finite Element Method for numerical representation and analysis of Stress distributions in a loaded Mechanical system.

EMTFM4A Thermo-Fluids and Turbo Machinery AD0840

Apply the laws of Thermodynamics and Fluid Mechanics to predict and analyse Rotor-dynamics in Turbo Machines; Specifically, Turbines and Compressors, with emphasis on flow regimes, energy transformation and performance characteristics.

EMVCE4A Vibration and Control Engineering AD0840

This module introduces students to the theory and practice of control systems engineering, by emphasizing on the practical application of the subject to the analysis and design of feedback systems. Its enables the student to develop representative models of real vibrating systems, to determine and control the dynamic systems performance and behaviour parameters under a given set of constraints.

EPELM4A Electrical Machines AD0824

Synchronous Alternators, Synchronous machines, Induction motors, Design.



EPELP4A	Electrical Protection	<i>AD0824</i>
<p>Z-bus and symmetrical faults, Symmetrical components and sequence networks, Unsymmetrical faults.</p>		
EPEPS4A	Electrical Power Systems	<i>AD0824</i>
<p>Basic concepts, Three-phase Transformers, Synchronous machines: Real and Reactive Power, Series impedance of Transmission Lines, Capacitance of Transmission lines, Current and Voltage regulations on Transmission Lines, Power flow studies, Economic operation of Power Systems.</p>		
EPHVE4A	High Voltage Engineering	<i>AD0824</i>
<p>Breakdown mechanisms of gasses, liquids and solids, generation of high AC and DC voltages, Generation of Impulse voltages and currents, Measurement of High voltages and currents, High Voltage Testing of electrical equipment, Non-destructive Insulation test techniques.</p>		
EPPRO4A	Electrical Engineering Project	<i>AD0824</i>
<p>See EIPRE4A</p>		
EPREM4A	Engineering Research Methods	<i>AD0824</i>
<p>See EIREM4A</p>		
EYHYD4A	Hydrometallurgy	<i>AD0850</i>
<p>Revision of background process thermodynamics; leaching rates; winning and recovery processes - ion exchange, solvent extraction, cementation, electrowinning; applications in extraction of copper, gold, platinum group metals, titanium, lead, zinc and uranium (primary minerals, occurrences, leaching chemistry, flowsheet, existing plants); quantitative analyses.</p>		
EYMAM4A	Manufacturing Metallurgy	<i>AD0850</i>
<p>Manufacturing Processes. Additive manufacturing (e.g., 3-D printing). Computer Integrated Manufacturing and Automation (e.g., in welding processes). Nanomanufacturing. Sustainable Manufacturing. Case studies.</p>		
EYMIP4A	Mineral Processing	<i>AD0850</i>
<p>Principles of mineral processing plant design. Material balances on complex flow diagrams. Mathematical models and their applications in mineral processing. Principles, theory and practice of industrial process control in mineral processing plants. Mineral processing plant commissioning practice. Principles and practice of cost estimating.</p>		
EYPME4A	Physical Metallurgy	<i>AD0850</i>
<p>Production Metallurgy and applications of cast irons, non-ferrous alloys (Al,Ti,Mg,Cu,Ni). The physical metallurgy of light alloys (e.g. Al, Ti, Mg alloys), superalloys (Ni and PGMs), smart alloys (NiTi alloys), hard materials (WC-Co, hard steels), Ceramic materials (structural, electrical, energy storage) and their processing technology. Advanced physical metallurgy of low alloy C steels and stainless steels.</p>		
EYPRO2A	Metallurgical Research Methods and Project	<i>AD0850</i>
<p>Introduction to research methodology in Metallurgical Engineering. Laboratory safety. Generation of empirical data. Reporting of data. Interpretation of data. Report writing. Oral presentations.</p>		



EYPYR4A Pyrometallurgy

AD0850

Electric arc steel making. Conventional and continuous casting of steel. Monolithic refractory materials. Manufacturing techniques and properties expected from plastic-, castable- and all relevant monolithic refractories. Mass balances, thermodynamics and basic electro refining calculations over typical plants. The pyrometallurgy of vanadium, titanium and platinum.

12.4 POSTGRADUATE DIPLOMA MODULES: ALPHABETICAL LIST

Course Code	Course Name
PG0400	Operations Management
PG0800	Chemical Engineering
PG0810	Civil Engineering
PG0830	Industrial Engineering
PG0840	Mechanical Engineering
PG0850	Metallurgical Engineering

Module Code	Module Name	Courses
Module Description		
EBADA5A	Advanced Decision Analysis	<i>PG0830</i>
Introduction to decision analysis, modelling and decision making, decision analysis and probability; Benchmarking, modelling of preferences and experts' values; Structuring decision problems and measuring uncertainties; Modelling uncertainty and multi-attribute models; Structuring and building of decision trees; Conditional probabilities, sensitivity and specificity probabilistic risk assessment, likelihood ratios; Root cause analysis; Dynamic modelling basics; Stochastic cohort models and microsimulation models.		
EBAFD5A	Advanced Facility Design	<i>PG0830</i>
Material handling concepts; Layout design algorithms; Manufacturing systems; Quantitative facility planning models; Evaluating and selecting the facilities plan.		
EBAIM5A	Advanced Industrial Management	<i>PG0400</i>
Business strategic formulation process; internal and macro- environmental assessments; Industry assessment; Selection of best business strategy; Implementation of business strategy and managing change; Components of successful strategy implementation; Short-term objectives, functional tasks and policies; strategic control and evaluation; strategic leadership and governance.		
EBAMA5A	Advanced Manufacturing Systems	<i>PG0400</i>
Industry 4.0/smart factory; Programmable Logic Control (PLC) programming; Internet of Things (IoT) Technology; Robotics programming; Computer Numerical Control (CNC) Programming.		



EBAM05A	Advanced Modelling in Operations Management	<i>PG0400</i>
<p>Introduction to discrete event simulation; Simulation project methodology, event calendar and implications; Advanced statistic distributions; Making decisions with simulation; Introduction to advanced modelling techniques; Modelling material handling devices; Conveyor modelling; Continuous systems; Discrete systems; System simulation software, real-world system examples.</p>		
EBAM55A	Advanced Modelling and Simulation	<i>PG0830</i>
<p>Introduction to discrete event simulation; Simulation project methodology, event calendar and implications; Advanced statistic distributions; Making decisions with simulation; Introduction to advanced modelling techniques; Modelling material handling devices; Conveyor modelling; Continuous systems; Discrete systems; System simulation software, real-world system examples.</p>		
EBBF15A	Business Finance	<i>PG0400</i>
<p>Just-in-time processes and financial implications; Financial calculations in Just-in-time processes; Project evaluation and review; Financial strategy; Sources of Funding; Pricing Decisions; Management control systems; Performance management.</p>		
EBFEN5A	Financial Engineering	<i>PG0830</i>
<p>Derivatives in financial engineering; Financial engineering risk measurement and management; credit risk concepts and modelling; Ethics in financial markets; Equity and currency markets; Allocation of money and asset management.</p>		
EBIPI5A	Industrial Engineering Project Design and Implementation	<i>PG0830</i>
<p>Product design; Process Design; Field survey; Workshop design; Emphasizing project design and implementation from an organisational perspective by acquiring data and validating the relationship between the project and the overall strategy of the organisation (governance); Investigating real-live cases from industry.</p>		
EBIPP5A	Industrial Engineering Project Planning and Design	<i>PG0830</i>
<p>Overview of the project cycle; Starting, organising and preparing a project; Dealing with ethical dilemmas, Project quality management; Preparing the capstone project; Planning, project organisation, financial control, controlling and leading projects within the industrial environment; Investigating real-life cases from industry.</p>		
EBMPESA	Manufacturing and Production Engineering	<i>PG0830</i>
<p>Industry 4.0/smart factory; Programmable Logic Control (PLC) programming; Internet of Things (IoT) Technology; Robotics programming; Computer Numerical Control (CNC) Programming.</p>		
EBOPI5A	Operations Management Project Design and Implementation	<i>PG0400</i>
<p>Product design; Process Design; Field survey; Workshop design; Emphasizing project design and implementation from an organisational perspective by acquiring data and validating the relationship between the project and the overall strategy of the organisation (governance); Investigating real-live operations management cases.</p>		



Faculty Prospectus 2024

EBOPP5A Operations Management Project Planning and Design PG0400

Overview of the project cycle; Starting, organising and preparing a project; Dealing with ethical dilemmas, Project quality management; Preparing the capstone project; Planning, project organisation, financial control, controlling and leading projects within the operations management environment; Investigating real-life cases from industry.

EBPRE5A Project Engineering PG0830

Introduction to project engineering; Project charter and preliminary scope statement; Develop project scope; Work breakdown structure and communication plan; Risk planning and management; Project quality management; Project team development; Measuring and controlling team performance; Managing participation, teamwork and conflict; Monitoring and control change; Controlling work results and closing out the project.

EBQRM5A Quality and Reliability Management PG0400

Leadership and Total Quality Management (TQM); Organisation for TQM; Customer satisfaction; Total employee involvement; Supplier partnership; Total productive maintenance; Quality circles; Inspection; Kaizen and continuous improvement; 5S, Six sigma and Lean; Reliability engineering; Business process reengineering; Value engineering.

ECEEN5A Environmental Engineering PG0810

Water Resources management; Climate Change; Environmental Engineering Problems, their Causes and sustainability; Engineered Environmental systems; Renewable and Non-Renewable Energy; Green Engineering.

ECGTE5A Geotechnical Engineering PG0810

Soil mechanics relating to foundations; Types of foundations and their applications; Shallow foundations; Mat foundations; Pile foundations; Drilled-piers and caisson foundations; Foundations on problem soils; Lateral earth support; Kinematics and Strain; Stress in soils; Governing Equations of Continua; Infinitesimal Elasticity Constitutive Theory; Poro-elastic Theory; Introduction to Finite Element Methods; Strong form, weak form of governing equations; element formulations; Iso-parametric Elements and Gauss Integration.

ECPMC5A Project and Construction Management PG0810

Project management theory and requirements. The project and construction stages; Types of contracts, contract documentation and conditions of contract; Procurement processes and requirements; government development and social objectives (requirements); Estimating and tendering; Site inspection, site overheads; pre-constructing planning – site layout and organization, construction programme, etc.; Plan and keeping within time and budget, managing delays, disputes and on-site problems; Manage quality control, complying with health and safety; communication with stakeholders; managing material and equipment; payments and claims; handover and closing out.

ECRPX5A Research Project in Civil Engineering (Module 1) PG0810

The concept and philosophy of research; Research topic; Identify and define a project title; Objectives, Research problem and problem statement, Hypothesis statement and Research proposal; Data bases; Categories of journals; Impact factor; Hirsch Index; Proposal writing (detailed analysis); Relevance of research to society; Time management; Effective technical communication; Research proposal for project funding; Plagiarism.



ECRPY5A Research Project in Civil Engineering (Module 2) PG0810

Experimental design, Thesis writing, Data interpretation and analysis: Data capture and validation; Copyright and plagiarism; Fundamentals of research project management; Presentation.

ECSTE5A Structural Engineering PG0810

Analysis of plates and simple shells; Introduction to structural dynamic; Plastic analysis of beams and frames; Yield line analysis of slabs; Properties of fresh (rheology) and hardened (mechanical and durability) concrete; Sustainable concrete (concrete and environment); laboratory practical; Investigational project.

ECTEN5A Transportation Engineering PG0810

Transport models; Travel demand analysis and Transport policy; Traffic Design; Geometric Design & Safety and Pavement Design & Maintenance.

ECWEN5A Water Engineering PG0810

Hydrodynamic principles to solve complex problems on static and moving fluids; Operating principles of hydraulic machinery in the design of pumping stations, structures for surge protection and hydropower plants; Complex problems on varied flow in channels; Hydraulic structures design such as culverts, stilling basins and drop structures; Groundwater and surface water resources for resources planning; Water demand through reservoir design and operation; Integrated water resources management.

EHBIX5A Bioprocess Engineering I PG0800

Introduction to bioprocess engineering; Calculations, Presentation and Analysis of Data; Material and Energy Balances, hydrodynamics and mixing; Structure and Biology of Cells: Prokaryotic, Eukaryotic; Cell types: Bacteria, Yeasts, Molds, Algae, Protozoa, Animal & Plant Cells; Structure and function of bio- molecules: lipids, proteins, carbohydrates (sugars & polysaccharides), nucleic acids, hybrid bio-chemicals; Kinetics of Enzyme-Catalysed reactions and Applied Enzyme Catalysis: Mechanistic models, Michaelis-Menten Equation to determine rate parameters; Immobilised systems.

EHBIY5A Bioprocess Engineering II PG0800

Fermentation (Process Design and Optimisation) – Foods and beverages, Amino Acids, Organic feed-stocks, Organic acids, Vitamins, Antibiotics, Single-cell proteins; Design and Analysis of Bioreactors: Batch, Continuous and Plug-Flow Reactors, Dynamic models, stability, non-ideal processes, Sterilisation, Immobilised Biocatalysts and Multiphase systems, Bioreactor scale-up, Instrumentation and Control, Bio-process economics.

EHPDX5A Chemical Process Design I PG0800

Process synthesis philosophy of integrated process synthesis; Integrated process synthesis with process mass and energy balance targets; Process based flow sheet synthesis; Application of transport processes: mass, heat and momentum transfer; Application of reacting systems; Introduction to renewable resources and integration of renewable energy with industrial processes; Heat and mass integration - designing for maximum energy recovery and wastewater minimization.



EHPDY5A Chemical Process Design II

PG0800

Introduction to Computational Modelling; Discrete modelling of process systems; Solution methods for discrete optimization problems: Process synthesis using implicit enumeration; Algorithmic approaches to synthesis of sustainable systems: heat exchanger networks; Process synthesis under uncertainty; Flexibility analysis; Computer based modelling, simulation and optimisation of integrated processes using ChemCad; Advanced process economics; Process engineering in the green economy.

EHPEX5A Environmental Engineering I

PG0800

Conventional and advanced water treatment techniques; Local and international environmental regulations for a chemical industry; environmental impact assessment of a chemical process; environmental economics; design of sampling and assessment tools; indicators of ecological integrity; environmental risk assessment and management; policy decision- making; impact assessment and environmental audit; national and international air pollution regulations; Source and propagation of water, air and land pollutants; modelling of diurnal and seasonal pollution dispersion; quantification methods for pollutants; Conventional and advanced treatment techniques for industrial wastewater from petrochemical, mining and energy industries; Air pollution control in petrochemical, mining and energy industries; Causes of land pollution such as agricultural chemicals, industrialisation, mining, landfills, human sewage; Effects of land pollution and prevention and mitigation strategies.

EHPEY5A Environmental Engineering II

PG0800

Primary, secondary and advanced wastewater treatment and other methods such as activated carbon adsorption; membrane separation; ozonolysis, photodegradation; enhanced coagulation; heavy metal removal, chemical precipitation; neutralization; oxidation-reduction; desalination processes; ion exchange. Composition and characterization of sewage; Basic design principles of sewage treatment systems; Sludge handling and treatment; simulation software for wastewater treatment processes; Simulation and modelling tool to design and optimized the performance of wastewater treatment systems

EHPX5A Petrochemical Engineering I

PG0800

Origin, Formation and Composition of Petroleum: Overview of Petroleum Refinery, Petroleum Refinery Processes and operations, Petroleum Refinery flow schemes, Definitions of Refining terms, Types of refineries such as simple intermediate and complex, preflashing, Major petroleum products and their specifications, Blending of various petroleum fractions to meet required specification, Methane, natural gas, compressed natural gas (CNG), rebuilding of hydrocarbons.

EHPY5A Petrochemical Engineering II

PG0800

Petrochemical Industry; Petrochemical Industry Integration and Value Chain; Petrochemical Industry By-processes: Ammonia Synthesis, Methanol Synthesis, Polymers and Associated Chemicals; Synthetic Fuels, Solvents and Chemicals.



EHPRM5A Research Project (Chemical Engineering) PG0800

Perform critical review of the published literature in areas appropriate to the area of the research and identify and apply relevant theories to the problem. Record and analyse experimental data. Draw appropriate conclusions from the results. Discuss the purpose of a research project and its significance in relation to relevant previous work reported in literature. Communicate/Convey the work and its outcomes in a variety of formats – report, poster and academic paper. Carry out/Do literature search using library and IT facilities to identify knowledge gaps.

EMAEM5A Advanced Engineering Mathematics PG0840

The purpose of this module is to provide participants with the skills, knowledge and attitudes required to further extend the concepts learned in Advanced Mathematics 1 to include the topics of Integral Calculus, Complex Numbers, Differential Equations, Statistics and Linear Algebra. The module aims to show the relevance of mathematics to engineering and applied science. This module, in conjunction with Applied Engineering Mathematics, also facilitates articulation to Degree courses in all streams of Engineering and forms a basis for more specialist branches of mathematics.

EMARM5A Applied Research Methodology in Mechanical Engineering PG0840

This module offers students a clear understanding of research methodologies, sourcing and interpretation of researched topics, how to explain research work done in seminar presentations, and the compilation of a technical report on the selected topic.

EMCME5A Continuum Mechanics PG0840

This module offers an in-depth clear understanding of the tensor notation, three-dimensional stress strain relationships, Stress strain law in elasticity, and Stress functions in the determination of principal stresses, principal planes and their principal directions. Analysis of the kinematic and mechanical behaviour of materials modelled on a continuum assumption. Development of the constitutive equations to characterise the behaviour of specific ideal materials, which are homogeneous and isotropic in nature.

EMEMX5A Engineering Modelling and Simulations Module 1 PG0840

The module is aimed at identifying simple mechanical engineering systems in order to build representative analytical models for simulating their behaviour and system characteristics using computational techniques. It identifies and models simple fundamental laws and principles in which mechanical engineering systems are operating and their physical activities.

EMEMY5A Engineering Modelling and Simulations Module 2 PG0840

This course examines a variety of engineering system modelling and simulation methods, as well as numerical and computer-based solution techniques utilized in industrial and engineering environments. Techniques for finding solutions to these systems include: graphical, algebraic, numerical, state space, simulation and computational processes. Case studies in industry and engineering applications are used to illustrate the techniques and modelling concepts. Examples of simulation and analysis methods will be related to the linear and non-linear, deterministic and non-deterministic systems.



EMENS5A Energy Systems

PG0840

The module enables students to identify, discuss and evaluate different energy systems, old and new technologies. Also included is a study of mechanisms and processes for cycles and system integration, the sizing of plant components for required output, what they cost, and what is their benefit or impact (plus mitigation strategies) on the natural environment. The module also enables student to proffer solutions to a given energy demand scenario using the ThermoOptim software.

EMICE5A Internal Combustion Engine Analysis

PG0840

The module enables students to apply the fundamental principles of thermo-chemistry that govern the design, analysis and operation of internal combustion engines. The emphasis here is on thermodynamics, combustion chemistry and mass flow processes relevant for the design, performance, efficiency, emission control and fuel requirements of both the Spark Ignition (SI) and Compression Ignition (CI) engines.

EMMAM5A Maintenance Management

PG0840

Requires managerial experience in business practice in the maintenance environment. It will provide the understanding of the principles, ethics, and skills to manage maintenance activities in organizations, under different organizational circumstances.

EMPME5A Production and Manufacturing

PG0840

The purpose of this module is to enable the student understand the concepts of production and manufacturing, and to apply the knowledge in designing of appropriate manufacturing systems for optimal productivity. This module will give student in-depth knowledge of how to use Hand and Power tools effectively. More so, the module give a practical introduction to what can be a very complex subject, and significant update and revised to include new material on current health and safety legislation, gauging and digital measuring instruments as well as modern measuring techniques such as laser scan micrometre, co-ordinate and visual measuring systems.

EMRAC5A Refrigeration and Air-conditioning

PG0840

This module aims at providing students with in-depth knowledge on how to design, develop simulate and analyse Heating, Refrigeration and Air Conditioning processes and systems in a given industrial or commercial setup. It also enables learners to explore new developments in the field.

EYHMT5A Heat and Mass Transfer

PG0850

Distinguish between the mechanisms of heat transfer modes, derive suitable heat loss equations for different situations. Determine temperature distributions, heat losses, analyse heat flow resistances and discuss heat source systems. Compare flow patterns between objects at different angles, explain advantages of insulation layers and calculate the thickness. Interpret mechanisms of radiation, types of bodies, emissivity and apply these principles in solving typical problems. Apply Heissler charts as a method to determine energy losses and temperature distributions in different objects and at different depths. Discuss the kinetics of diffusion and calculate reaction mass flow rates, and evaporation processes. Compare flow types of liquids and gases and calculate volumetric flow rates. Illustrate different types of heat exchangers, calculate flow rates and temperature exchange.



EYHYD5A Hydrometallurgy

PG0850

Hydrometallurgy processes and plants design: review of hydrometallurgy basics; hydrometallurgical plants; general plant design considerations; process design; flowsheets development; drawing; plant design economics; secondary resources processing; South African core commodities; Case studies of recent trends in application to specific commodities; laboratory work.

EYMAE5A Materials Engineering

PG0850

Introduction to Materials science and Engineering. Structure-Property relationships of Materials and Materials design. An introduction to Properties and Applications of Materials: (Ceramics, Polymers, Composites and non-ferrous alloys). Specialty Materials Applications: Functional Materials/Compositionally graded Materials (e.g. electronic, magnetic, superconducting, high temperature alloys, biomaterials, thermoelectric, smart materials). Manufacturing Methods (Casting & Powder Metallurgy). Additive Manufacturing. Materials Selection and Economics. Introduction to Computational Material Science: Modelling and Simulation.

EYMAM5A Manufacturing Metallurgy

PG0850

Science and selection of Engineering Materials and Alloys. Basic Metallurgical Manufacturing Processes: Casting, Forming, Powder Processing, Machining, welding. Advanced Materials Manufacturing: Metal-Matrix Composites, Ceramic Matrix Composites and Polymer- Based composites, Additive manufacturing, Functionally graded Materials. Introduction to Materials Modelling and process simulation. Computer Automated Design, Manufacturing and Automation. Manufacturing Costs.

EYMA55A Advanced Modelling and Simulation

PG0850

Introduction to discrete event simulation - Applications, advantages, and limitations. Simulation project methodology, event calendar and implications. Advanced statistic distributions, familiarisation with Arena and Simio. Making decisions with simulation. Buffer zone modelling. Introduction to advanced modelling techniques. Modelling material handling devices. Conveyor modelling. Continuous systems: classification of systems, system's abstraction and modelling, types of systems and examples, system variables, input-output system description, system response and analysis of system behaviour. System simulation (computer-aided: Simio software), real-world system examples. Discrete systems: difference equations, numerical simulation of continuous-time dynamics, discrete-event systems, and real-world system examples.

EYMIP5A Mineral Processing

PG0850

Introduction to mineral processing principles and terminology. Ore characteristics and mineral separation methods. Application of mineral separation methods in the concentration of coal, precious metals (Au and PGM's) and base metals (Cu, N, Zn, Pb). Material balance on complex mineral processing flow diagrams. Equipment selection and sizing. Principles of mineral processing plant design. Principles of mineral processing plant cost estimation. Application of mathematical models for mineral processing units.



EYMKR5A Corrosion Engineering

PG0850

Corrosion Principles. Corrosion Electrochemistry. Thermodynamics and Kinetics of Corrosion Processes. Corrosion Processes (Atmospheric, Crevice and Pitting, EAC, Galvanic, Corrosion in water systems, Concrete Corrosion and High temperature Oxidation). Corrosion Control (Inhibitors, Protective Coatings, Materials Selection, CP and Anodic Protection). Corrosion Management, Modelling, Life Prediction, Computer Applications and Monitoring. Corrosion Failure Analysis. Corrosion Monitoring and Measurement techniques.

EYPMESA Physical Metallurgy

PG0850

Thermodynamics and kinetics of Solidification. Diffusional transformation in solids. Diffusionless transformation in solids. Heat treatment process. Coarsening of particles. Discontinuous phase transformations. Thermomechanical treatment of metals and alloys.

EYPRO5A Extractive Metallurgy Research Project

PG0850

The theory of characterization tools. Research Methodology in Science and Engineering. The use of research tools and databases (literature search databases, zotero, origin, published articles, presentation of scientific data, presentation skills, conferences, networking in science and engineering, publishing etc.). Laboratory-based empirical research project.

Physical Metallurgy Research Project

PG0850

The theory of characterization tools. Research Methodology in Science and Engineering. The use of research tools and databases (literature search databases, zetero, origin, published articles, presentation of scientific data, presentation skills, conferences, networking in science and engineering, publishing etc.).

EYPH2A Process Thermodynamics

PG0850

Reaction spontaneities ΔG and equilibrium constant k . Phase equilibrium. Binary- and multiple solutions. Electrochemical cells. Activation energy. Solubility. Order of reactions. Reaction kinetics.

EYPYR5A Pyrometallurgy

PG0850

Define thermodynamic laws; Discuss and determine spontaneity of processes; Discuss influence of various parameters on processes in steel industry; Calculate flame temperatures and blast air volumes in blast furnaces; Calculate mass stoichiometric mass balances in blast furnaces; Calculate tap temperatures, tap times, compositions etc in steel production processes, continuous casting processes, electric arc furnaces and degassing processes; Define different slag theories and compare and discuss the role of slag; Discuss principles of solid-, liquid- and gas reactions and calculate parameters; Derive mathematical models for smelting and metal-slag systems; Calculate reaction rates for pyro systems.



12.5 M ENG MODULES (MP0823)

Module Code	Module Name
Module Description	
EEACC6A	Energy Accounting & Economics
Building energy use and economic analysis and life cycle costing; Building envelopes and insulation; Energy auditing; Audit instruments; Codes standards & protocols; Energy purchasing; Energy accounting & benchmarking; Energy rates structures; Electrical systems & electricity management.	
EERNE6A	Renewable Energy
Renewable energy sources & water management: Wind generation; Water energy systems; Geothermal energy; Solar energy; Thermal energy storage; Hydrogen; Fuel cells. Distributed generation (DG): Economics of DG, Technologies, Analysing your own facility for DG application; A case study.	
EERPE6A / EPRPE6A	Research Project
Research project relating to energy sources and/or water management systems pertaining to: Wind generation systems & optimization; Water energy systems & optimization; Geothermal energy systems & optimization; Solar energy systems & optimization; Thermal energy storage systems & optimization; Hydrogen & fuel cell systems & optimization	
EPESS6A	Electrical Systems
Rate structures; Electrical systems; Electric motors & drives, Tariffs & structures; Electrical protection systems; Energy systems maintenance: Types of controls: Manual systems, Basic automatic controls, Web based building automation systems	
EPPEM6A	Process Energy Management
Fan systems; Pumps & pump systems; Air systems components management; Heating, ventilating and air conditioning; Understanding & managing boilers: Operation, Boiler components; Boiler controls & gauges; Boiler fuels, Heat balance for boilers, Boiler efficiency & improvements; Steam distribution systems: Introduction, Steam distribution components, Tracer lines, Waste heat recovery, Improving the hot water distribution system; Cogeneration.	

